



DIAGNOSTIC SET

786-786

2.5 V Standard illumination for use with 2 batteries C type.

Including:

Otoscope Head: Luir Lock fitting.

Chrome plated.

Fix lens 4 x in plastic mount can be removed for introduction of instruments.

Specula sizes: 2.5, 3.5 & 4.5 mm Included,

Ophthalmoscope head: Luir Lock fitting.

Lens selection wheel permits choice of corrective lenses from 0 to - 20 and 0 to +20 diopters.

Single large circle aperture.

Bent-arm illuminator: pin contact fitting.

Nasal speculum: Chrome plated.

Two laryngeal mirrors: n. 4 and 5.

Battery handle: 28mm. For 2 cell C-batteries.

Chrome plated. For adjustment of all illumination.

Replacement bulb: 2.5 V

Diagnostic set is supplied in our new beautiful look and quality Blue Case, which protect our quality Products from moisturizing and damaging.



With 2 spare Bulbs





**DIAGNOSTIC SET
786-787**

2.5 V Standard illumination for use with 2 batteries type C.

Including:

Otoscope Head: Luir Lock fitting.
Chrome plated.

Fix lens 4 x in plastic mount can be removed for introduction of instruments.

Specula sizes: 2.5, 3.5 & 4.5 mm Included,

Ophthalmoscope head: pin contact fitting.

Lens selection wheel permits choice of corrective lenses from 0 to - 20 and 0 to + 20 diopters.

Single large circle aperture.

Bent-arm illuminator: Luir Lock fitting.

Nasal speculum: Chrome plated.

Two laryngeal mirrors: n. 4 and 5.

Battery handle: 28mm. For 2 cell C-batteries.

Chrome plated. For adjustment of all illumination.

Replacement bulb: 2.5 V

The Diagnostic set is supplied in new beautiful look and quality Blue Case, which protect our quality Products from moisturizing and damaging.





DIAGNOSTIC SET

786-788

2.5 V Standard illumination for use with 2 batteries C type.

Including:

Otoscope Head: Luir Lock fitting. Chrome plated.

Fix lens 4 x in plastic mount can be removed for introduction of instruments.

Specula sizes: 2.5, 3.5 & 4.5 mm Included,

Ophthalmoscope head: Luir Lock fitting.

Lens selection wheel permits choice of corrective lenses from 0 to - 20 and 0 to + 20 diopters.

Single large circle operture.

Bent-arm illuminator: pin contact fitting.

Nasal speculum: Chrome plated.

Two laryngeal mirrors: n. 4 and 5.

Battery handle: 28mm. For 2 cell C-batteries.

Chrome plated. For adjustment of all illumination.

Replacement bulb: 2.5 V

Diagnostic set is supplied in new beautiful look and quality Red Wooden Case, which protect our quality Products from moisturizing and damaging.



DIAGNOSTIC SET

786-789

2.5 V Standard illumination for use with 2 batteries C type.

Including:

Otoscope Head: Luir Lock fitting. Chrome plated.

Fix lens 4 x in plastic mount can be removed for introduction of instruments.

Specula sizes: 2.5, 3.5 & 4.5 mm Included,

Ophthalmoscope head: Luir Lock fitting.

Lens selection wheel permits choice of corrective lenses from 0 to - 20 and 0 to + 20 diopters.

Single large circle operture.

Bent-arm illuminator: pin contact fitting.

Nasal speculum: Chrome plated.

Two laryngeal mirrors: n. 4 and 5.

Battery handle: 28mm. For 2 cell C-batteries.

Chrome plated. For adjustment of all illumination.

Replacement bulb: 2.5 V

Diagnostic set is supplied in new beautiful look and quality Black Case, which protect our quality Products from moisturizing and damaging.



MOUTH MIRRORS DIAGNOSTIC SET

786-790

10 Disposable Mirrors in plastic fitting.

01 Mirror Handle with Led Bulb having inside 01 set of 3 button cells each button cell hare 1.5 V.

This set here complete 03 sets of button cells

Packed in beautiful Transparent Plastic case.



**DIAGNOSTIC PENTOSCOPE SET
786-791**

2.5 V Standard illumination for use with 2 batteries type AA.

Consisting:

Universal Handle thread type fit for all Pentoscope Heads like.

- Otoscope Head.
- Ophthalmoscope Head.
- Throat Branch Head.
- Mouth Mirrors Head.

It have two exploring mirrors No. 4 & 5 mm.

Its spare 06 disposable Plastic ear Canulas are with sizes 2 x 2.50 mm, 2 x 3.50 mm & 2 x 4.5 mm.

On special order it can be as 2 x 1.5 mm for new born babies 2 x 2.5 mm for pediatric and 2 x 4 mm for adults, so it means total 06 canula also available in a plastic tube packing.

2 spare 2.5 V bulb.

Pentoscope set battery handle is operating with two AA size batteries.

This Pentoscope set Packed in our new beautiful Blue Colour plastic case in same blue inner packing material.

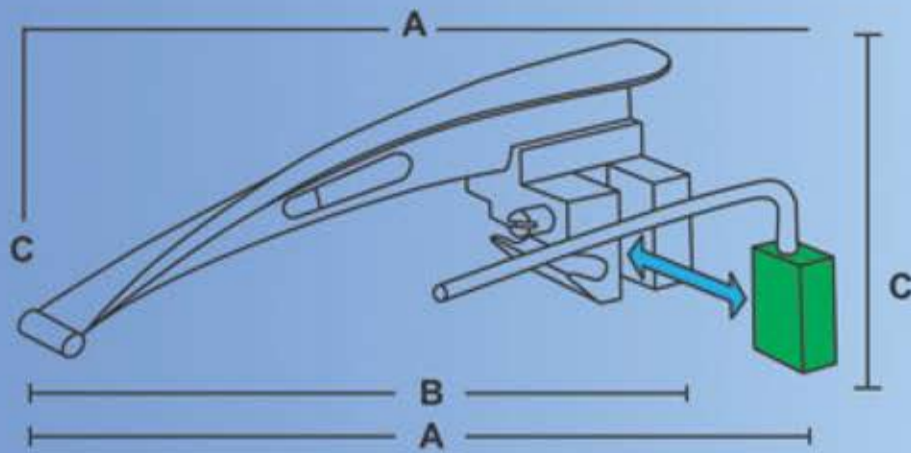
Spare parts also available of any item.



With 2 spare Bulbs



MC-INTOSH FIBER OPTIC LARYNGOSCOPE BLADE



BLADE

Size	A	B	C	Working Length
0	77mm	53mm	14mm	55mm
1	95mm	72mm	43mm	70mm
2	111mm	86mm	44mm	78mm
3	133mm	109mm	44mm	108mm
4	151mm	129mm	44mm	133mm

Mc-Intosh Laryngoscope Fiber Optic

Halogen illumination. Manufactured from AISI 304 Stainless-Steel. Halogen Illumination 2.5 V. The Bulb is inside the handle in order to simplify the sterilization of the blades. All blades and handles are interchangeable with other leading manufacturer. All sets can be combined as per your request, and delivered in Green plastic case.

Blades Availability:

- ★ Matt Finish
- ★ Mirror Finish
- ★ Sand Blast Finish
- ★ Pls, confirm in your order list

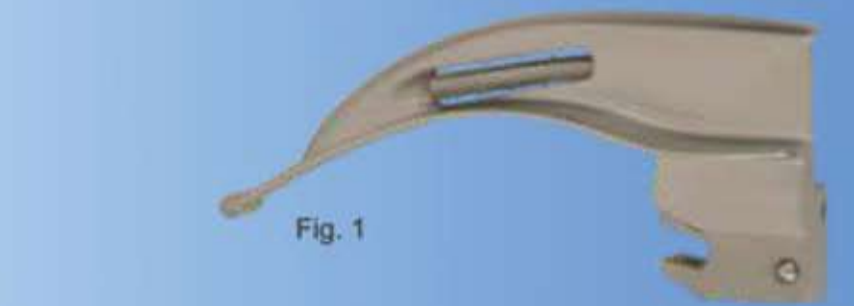


Fig. 1



Fig. 2

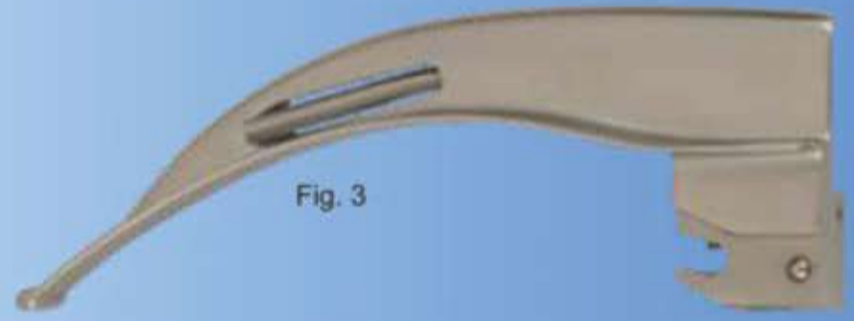


Fig. 3

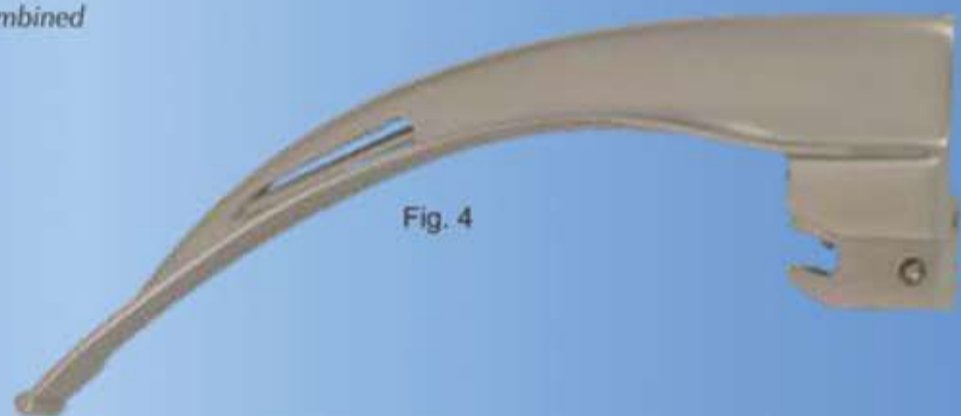


Fig. 4



Laryngoscope Battery
Handle for Adult C type 2 batteries

Available Sets with Battery Handle

786-792
Set of 0,1,2 (**Pediatric set**)
Supplied in Green plastic case

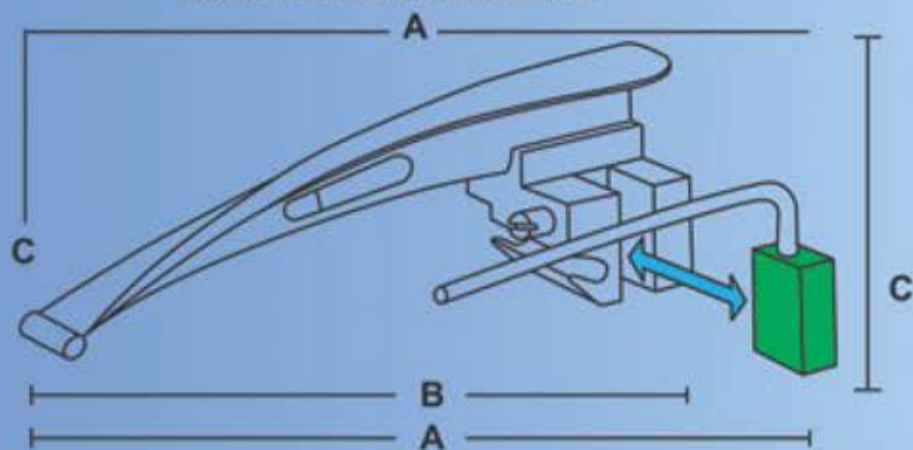
786-793
Set of 1,2,3 (**Standard set**)
Supplied in Green plastic case

786-794
Set of 1,2,3,4 (**Adult set**)
Supplied in Green plastic case



Mc-Intosh Fiber Optic Laryngoscope Set
Halogen Illumination
Manufactured by AISI: 304 Stainless Steel Material

MC-INTOSH LARYNGOSCOPE



BLADE

Size	A	B	C	Working Length
0	77mm	53mm	14mm	55mm
1	95mm	72mm	43mm	70mm
2	111mm	86mm	44mm	78mm
3	133mm	109mm	44mm	108mm
4	151mm	129mm	44mm	133mm

Fiber Optic Laryngoscope

Plastic case, Halogen illumination. Manufactured from AISI 304 Stainless Steel Halogen Illumination 2.5 V. The Bulb is inside the handle in order to simplify the sterilization of the blades. All blades and handles are interchangeable with other leading manufacturer. All sets can be combined as per your request, and delivered in Green plastic case.

Blades Availability:

- Matt Finish
- Mirror Finish
- Sand Blast Finish
- Pls, confirm in your order list

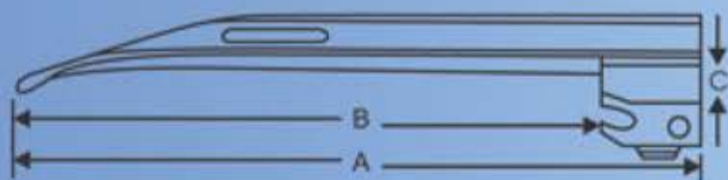
Available Sets with Battery Handle

786-795
Set of 0,1,2 (Pediatric Set)
Supplied in Green plastic case

786-796
Set of 1,2,3 (Standard Set)
Supplied in Green plastic case

786-897
Set of 1,2,3,4 (Adult Set)
Supplied in Green plastic case

Fiber Optic Laryngoscope Miller



BLADE

Size	A	B	C	Working Length
0	75mm	53mm	26mm	55mm
1	111mm	80mm	26mm	80mm
2	151mm	134mm	28mm	130mm
3	188mm	167mm	28mm	170mm
4	203mm	180mm	28mm	180mm

Available Sets with Battery Handle

786-798 Set of 0,1,2 (Pediatric Set) Supplied in Green plastic case

786-799 Set of 1,2,3 (Standard Set) Supplied in Green plastic case

786-800 Set of 1,2,3,4 (Adult Set) Supplied in Green plastic case



Laryngoscope Battery Handle for Adult C type 2 Batteries



Fig. 1



Fig. 2



Fig. 3



Fig. 4



Mc-Intosh Laryngoscope Set of Fiber Optic Halogen Illumination Manufactured From: AISI 304 Stainless Steel Material



Laryngoscope Battery Handle for Adult C type 2 Batteries



Fig. 1



Fig. 2

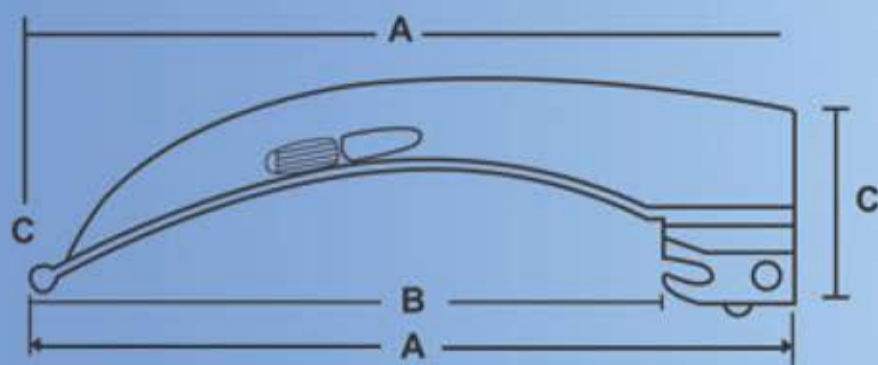


Fig. 3



Fig. 4

MC-INTOSH LARYNGOSCOPE



BLADE

Size	A	B	C	Working Length
0	80mm	58mm	30mm	55mm
1	97mm	76mm	36mm	70mm
2	111mm	88mm	36mm	78mm
3	133mm	112mm	36mm	108mm
4	154mm	131mm	38mm	133mm

Available Sets with Battery Handle

786-801

Set of 0,1,2 (Pediatric Set)
Supplied in Blue plastic case

786-802

Set of 1,2,3 (Standard Set)
Supplied in Blue plastic case

786-803

Set of 1,2,3,4 (Adult Set)
Supplied in Blue plastic case

Mc-Intosh Laryngoscope

Plastic case, Standard illumination. Manufactured from AISI 304 Stainless Steel. All blades and handles are interchangeable with other leading manufacturer. All sets can be combined as per your request, and delivered in Blue plastic case.

Blades Availability:

- Matt Finish
- Mirror Finish
- Sand Blast Finish
- Pls, confirm in your order list



With two Spare Bulbs



Laryngoscope Battery Handle for Adult C type 2 batteries



Fig. 1



Fig. 2

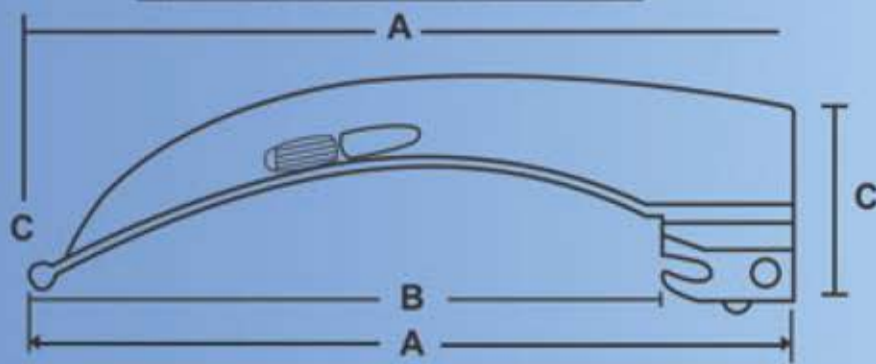


Fig. 3



Mc-Intosh Laryngoscope Conventional Standard Illumination
Manufactured From Stainless Steel material

MC-INTOSH LARYNGOSCOPE



BLADE

Size	A	B	C	Working Length
0	80mm	58mm	30mm	55mm
1	97mm	76mm	36mm	70mm
2	111mm	88mm	36mm	78mm
3	133mm	112mm	36mm	108mm
4	154mm	131mm	38mm	133mm

Available Sets with Battery Handle

786-804

Set of 0,1,2 (Pediatric Set)
Supplied in Gray plastic case

786-805

Set of 1,2,3 (Standard Set)
Supplied in Gray plastic case

786-806

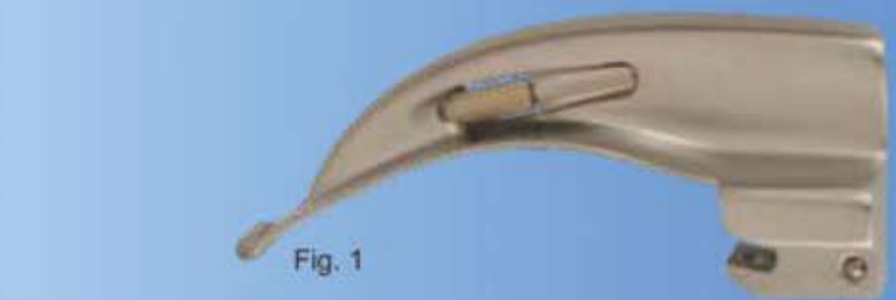
Set of 1,2,3,4 (Adult Set)
Supplied in Gray plastic case

Mc-Intosh Laryngoscope

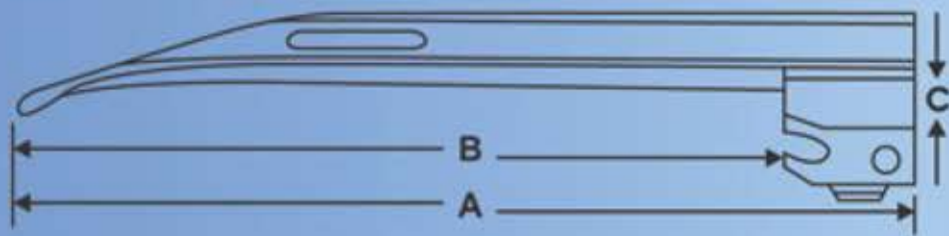
Plastic case, Standard illumination. Manufactured from AISI 304 Stainless Steel Matt Type, Standard Illumination 2.5 V. All blades and handles are interchangeable with other leading manufacturer. All sets can be combined as per your request, and delivered in Gray plastic case.

Blades Availability:

- ★ Matt Finish
- ★ Mirror Finish
- ★ Sand Blast Finish
- ★ Pls, confirm in your order list



Laryngoscope Miller



BLADE

Size	A	B	C	Working Length
0	75mm	53mm	26mm	55mm
1	111mm	80mm	26mm	80mm
2	151mm	134mm	28mm	130mm
3	188mm	167mm	28mm	170mm
4	203mm	180mm	28mm	180mm

Available Sets with Battery Handle

786-807

Set of 0,1,2 (Pediatric Set)
Supplied in Blue plastic case

786-808

Set of 1,2,3 (Standard Set)
Supplied in Blue plastic case

786-809

Set of 1,2,3,4 (Adult Set)
Supplied in Blue plastic case

Mc-Intosh Laryngoscope

Plastic case, Standard illumination. Manufactured from AISI 304 Stainless Steel. All blades and handles are interchangeable with other leading manufacturer. All sets can be combined as per your request, and delivered in Blue plastic case.

Blades Availability:

- Matt Finish
- Mirror Finish
- Sand Blast Finish
- Pls, confirm in your order list



With two Spare Bulbs



Laryngoscope Battery Handle for Adult C type
2 batteries



Fig. 1



Fig. 2



Fig. 3



Fig. 4



Laryngoscope Set of conventional Miller
Standard Illumination
Manufactured From Stainless Steel Material

Conventional Set



Available blade sizes 2,3 & 4 with
'AA' & 'C' type battery handles

'C' type handle

786-810
Flexible Laryngoscope Conventional
Halogen Illumination
Manufactured From Stainless Steel High grade
304 material.

Fiber Optic Set



786-811
Flexible Laryngoscope Set of Fiber Optic
Halogen Illumination
Manufactured From Stainless Steel High grade
304 material packed in green plastic box.

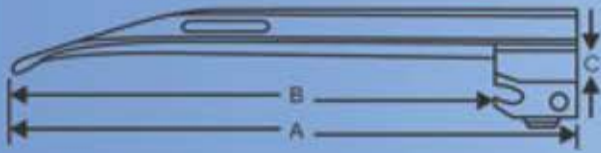


Available Blade sizes 2,3 & 4 with
'AA' & 'C' type battery handles

'AA' type handle

Laryngoscope Battery
Handle for Adult AA Batteries

Conventional Set



Blades

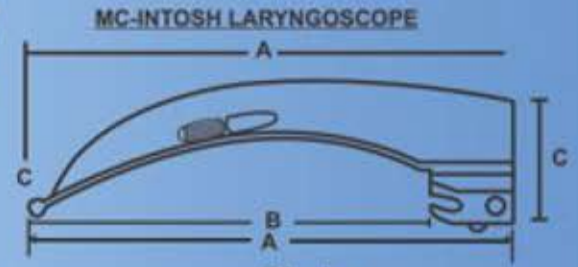
Size	A	B	C	Working Length
0	75mm	53mm	26mm	55mm
1	111mm	80mm	26mm	80mm
2	151mm	134mm	28mm	130mm
3	188mm	167mm	28mm	170mm
4	203mm	180mm	28mm	180mm



786-812
Conventional Set,
Mac + Miller Combo Double Set
of 10 Pcs.
4 Miller Blades
4 Mac Blades
1 Handle Small
1 Handle Medium

Blades Availability:

- Matt Finish
- Mirror Finish
- Sand Blast Finish
- Pls, confirm in your order list

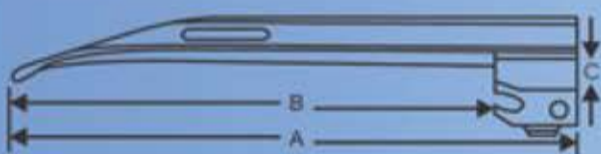


Blades

Size	A	B	C	Working Length
0	80mm	58mm	30mm	55mm
1	97mm	76mm	36mm	70mm
2	111mm	88mm	36mm	78mm
3	133mm	112mm	36mm	108mm
4	154mm	131mm	38mm	133mm

Mc-Intosh Laryngoscope Conventional
Standard illumination.
Manufactured from AISI 304 Stainless Steel
All blades and handles are interchangeable
with other leading manufacturer. All sets can
be combined as per your request, and delivered
in Wooden made case.

Fiber Optic Set



Blades

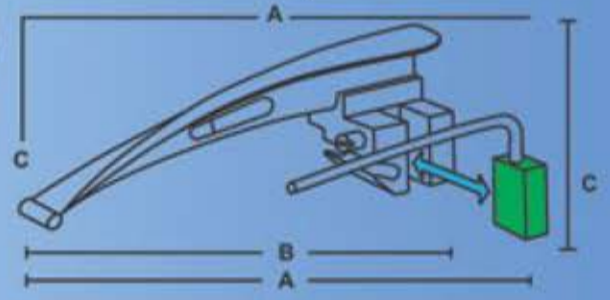
Size	A	B	C	Working Length
0	75mm	53mm	26mm	55mm
1	111mm	80mm	26mm	80mm
2	151mm	134mm	28mm	130mm
3	188mm	167mm	28mm	170mm
4	203mm	180mm	28mm	180mm



786-813
Fiber Optic
Mac + Miller Combo Double Set
of 10 Pcs.
4 Miller Blades
4 Mac Blades
1 Handle Small
1 Handle Medium

Blades Availability:

- Matt Finish
- Mirror Finish
- Sand Blast Finish
- Pls, confirm in your order list



Blades

Size	A	B	C	Working Length
0	77mm	53mm	14mm	55mm
1	95mm	72mm	43mm	70mm
2	111mm	86mm	44mm	78mm
3	133mm	109mm	44mm	108mm
4	151mm	129mm	44mm	133mm

Mc-Intosh Laryngoscope Fiber Optic
Halogen illumination. Manufactured from AISI 304 Stainless Steel Halogen Illumination 2.5 V. The Bulb is inside the handle in order to simplify the sterilization of the blades. All blades and handles are interchangeable with other leading manufacturer. All sets can be combined as per your request, and delivered in Green Wooden Made case.



**Standard Otoscope
786-814**

This otoscope is 2.5 V standard illumination, handle is chrome plated as well otoscope head too. Handle and head is Luer / Faster lock fitting. Head of otoscope is with 6x magnifying glass. 03 Resuable speculas with sizes 2.5, 3.5 & 4.5 mm. Battery handle for 2 'c' batteries. Rheostat for adjustment of illumination. Supply in Black Plastic Case Packing



**Standard Otoscope
786-815**

This otoscope is 2.5 V standard illumination, handle is chrome plated as well otoscope head too. Handle is Pin Serew lock fitting. Head of otoscope is with 6x magnifying glass. 03 Resuable speculas with sizes 2.5, 3.5 & 4.5 mm. Battery handle for 2 'c' batteries. Rheostat for adjustment of illumination. Supply in Black Plastic Case Packing



**Standard Otoscope
786-816**

This otoscope is 2.5 V standard illumination, handle is powder coated as well otoscope head too. Handle and head is Pin Screw lock fitting. Head of otoscope is with 6x magnifying glass. 03 Resuable speculas with sizes 2.5, 3.5 & 4.5 mm. Battery handle for 2 'c' batteries. Rheostat for adjustment of illumination. Supply in Nice Wooden Box Packing



**Mini Otoscope Fiber Optic
786-817**

2.5 V fiber optic halogen light. Otoscope head: pin contact fitting. Fixed lens 6X in plastic mount may be removed for introduction of instruments. Reusable specula 2, 3 and 4 mm. Included Battery Handle Made of Brass, Lonized Plated handle with Push button for 2 AA Batteries. Replacement bulb: 2.5 v the diagnostic set is supplied in Black Pouch. Available in multi colours.



**Mini Otoscope Fiber Optic
786-818**

2.5 V fiber optic halogen light. Otoscope head: pin contact fitting. Fixed lens 6X in plastic mount may be removed for introduction of instruments. Reusable specula 2, 3 and 4 mm. Included Battery Handle Made of Brass, Lonized Plated handle with Push button for 2 AA Batteries. Replacement bulb: 2.5 v the diagnostic set is supplied in Black Pouch. Available in multi colours.



**Standard Otoscope + Ophthalmoscope Set
786-819**

This Set is with 2.5 V standard illumination, handle is chrome plated as well otoscope head too. Handle and head is Luir / Faster lock fitting. Head of otoscope is with 6x magnifying glass. 03 Resuable speculas with sizes 2.5, 3.5 & 4.5 mm. A Full Functional Ophthalmoscope compact durable, light weight. Standard bulb and precision system 4 different apertures selection range of lenses -20 to +20 bright white light and brilliant image A Full Functional Ophthalmoscope Battery handle for 2 'c' batteries. Rheostat for adjustment of illumination. Supply in Black Plastic Box Packing.



'C' type
Battery handle



'C' type Battery Handle

**Standard Ophthalmoscope Set
786-820**

A Full Functional Ophthalmoscope compact durable, light weight. Standard bulb and precision system 4 different apertures selection range of lenses -20 to +20 bright white light and brilliant image Packed in Black Plastic Case.



**Standard Otoscope Set
786-821**

this otoscope is with 2.5 V standard illumination, handle is chrome plated as well otoscope head too. Handle and head is Luir / Faster lock fitting. Head of otoscope is with 6x magnifying glass. 03 Resuable speculas with sizes 2.5, 3.5 & 4.5 mm. Battery handle for 2 'c' batteries. Rheostat for adjustment of illumination. Supply in Black Pouch Packing



**Standard Otoscope Set
786-822**

this otoscope is with 2.5 V standard illumination, handle is chrome plated as well otoscope head too. Handle and head is Luir / Faster lock fitting. Head of otoscope is with 6x magnifying glass. 03 Resuable speculas with sizes 2.5, 3.5 & 4.5 mm. Battery handle for 2 'c' batteries. Rheostat for adjustment of illumination. Supply in Black Pouch Packing

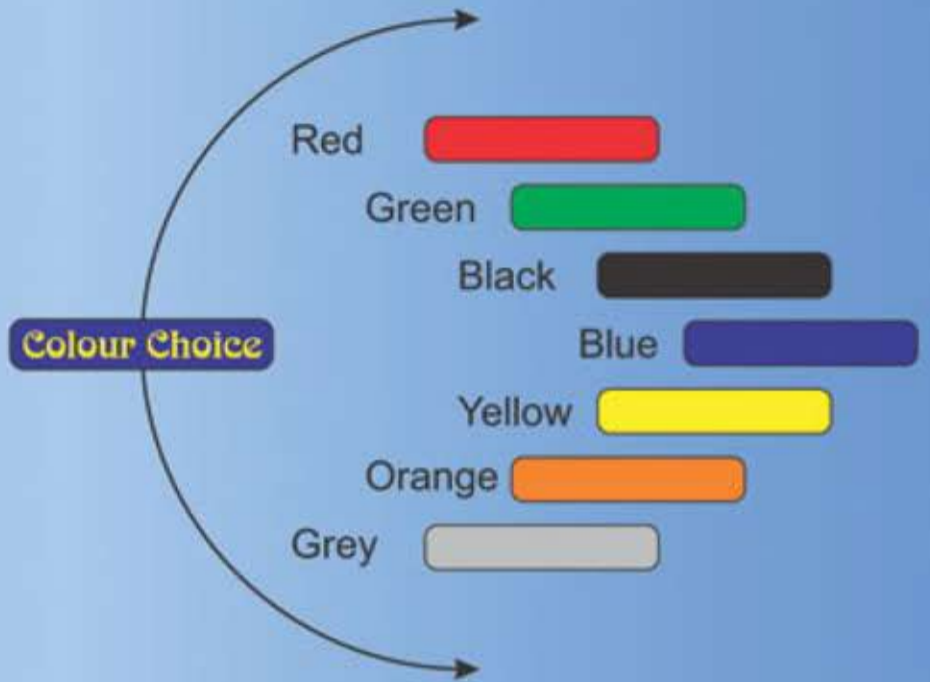


**Otoscope + Ophthalmoscope Set
786-823**

This otoscope is with 2.5 V standard illumination, handle is chrome plated as well otoscope head too. Handle and head is Luir / Faster lock fitting. Head of otoscope is with 6x magnifying glass. 03 Resuable speculas with sizes 2.5, 3.5 & 4.5 mm. A Full Functional Ophthalmoscope compact durable, light weight. Standard bulb and precision system 4 different apertures selection range of lenses -20 to +20 bright white light and brilliant image A Full Functional Ophthalmoscope Battery handle for 2 'c' batteries. Rheostat for adjustment of illumination. Supply in Black Pouch Packing.



**Mini Ophthalmoscope
786-824**
A Full Functional Ophthalmoscope.
compact durable, light weight.
Standard bulb and precision system
4 different apertures selection
range of lenses -20 to +20
bright white light and brilliant image
Made of plastic Material.



**Mini Ophthalmoscope
786-825**
A Full Functional Ophthalmoscope.
compact durable, light weight.
Standard bulb and precision system
4 different apertures selection
range of lenses -20 to +20
bright white light and brilliant image
made of plastic Material.



**Standard Ophthalmoscope
786-826**
A Full Functional Ophthalmoscope.
compact durable, Standard bulb and
precision system
4 different apertures selection
range of lenses -20 to +20
bright white light and brilliant image
Handle made of Stainless Steel Material.



Mini Ophthalmoscope
786-827 - 786-832

A Full Functional Ophthalmoscope. compact durable, light weight. Standard bulb and precision system
4 different apertures selection range of lenses -20 to +20
bright white light and brilliant image.
Available in multi colours.

Otoscope Fiber Optic
786-833 - 786-838

2.5 V fiber optic halogen light. Otoscope head: pin contact fitting.
Fixed lens 6X in plastic mount may be removed for introduction of instruments.
Reusable specula 2, 3 and 4 mm. Included Battery Handle Made of Brass, Ionized
Plated handle with Push button for 2 AA Batteries. Replacement bulb: 2.5 v
Available in multi colours.

Colour Choice		Otoscope Fiber	Ophthalmoscope
		Red	786-827
Green	786-828	786-834	
Black	786-829	786-835	
Blue	786-830	786-836	
Yellow	786-831	786-837	
Orange	786-832	786-838	



(A Set of Four Blades)

Tongue Depressor Holder

786-839

2.5 V standard illumination. Two adult, two child tongue blade holders. 304 stainless steel blade easy to auto clamp. 2 AA plastic handle in six different colours. A to F

Tongue Depressor Holder

786-840

2.5 V standard illumination. Two adult, two child tongue blade holders. 304 stainless steel blade easy to auto clamp. 2 AA chrome plated handle with push ON/OFF system.



**Tongue Depressor Holder Plastic Body
786-841**



**Tongue Depressor Holder metal Body
786-842**



Tongue Depressor Conventional

**Tongue Depressor Holder
786-843**

2.5 V standard illumination. Two adult, two child tongue blade holders. 304 stainless steel blade easy to auto clamp. 2 AA chrome plated handle with push ON/OFF system.



786-848
Varioflex combination hammer according to Fassbender, with never needle and brush. Solid handle with centimeter scale marking (approx. 155g) length 20 cm.



786-849
Tromner hammer original model heavy version (approx. 210g)



786-850
Rossier - Reflex hammer, with elastic handle, length: 36cm (approx. 95g)



786-851
Rossier - Reflex hammer, with elastic handle, length: 24cm (approx. 90g)



786-852
Babinski - Reflex and percussion hammer, interchangeable with screw fitting, with metal grip (approx. 95g)



786-853
Babinski - Reflex and percussion hammer, interchangeable with screw fitting, with metal grip (approx. 90g)



786-854
Buck, Neurological Reflex hammer, with metal handle, brush and needle (approx. 90g)



A



B



C

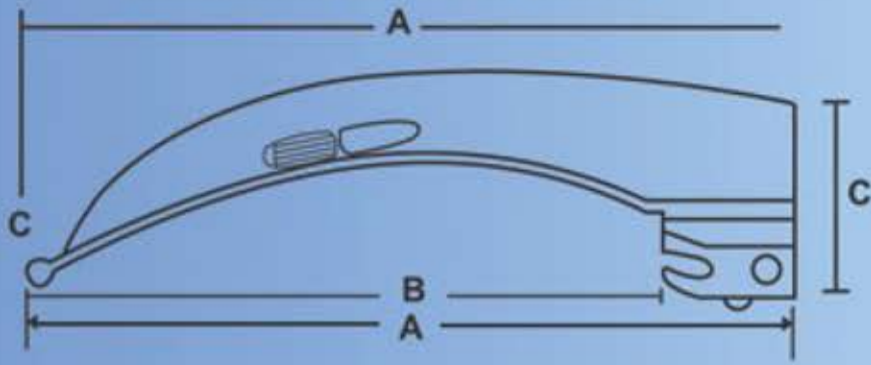


D

786-855
Colorflex, reflex and percussion hammer, Small version, length: 17cm
Color: red, blue, yellow, black (approx. 100g)

Conventional

MC-INTOSH LARYNGOSCOPE



Blades

Size	A	B	C	Working Length
0	80mm	58mm	30mm	55mm
1	97mm	76mm	36mm	70mm
2	111mm	88mm	36mm	78mm
3	133mm	112mm	36mm	108mm
4	154mm	131mm	38mm	133mm



'AA' Battery Handle



Fig. 1



Fig. 2



Fig. 3

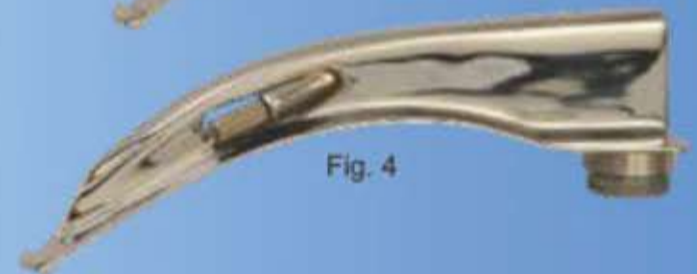
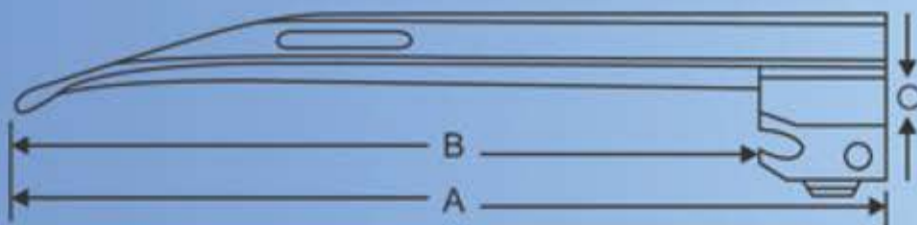


Fig. 4

Mc-Intosh Laryngoscope Thread Type

Rexien Pouch, Standard illumination. Manufactured Chrome plated handle and S.S Made Blades Thread type. Standard Illumination 2.5 V. All blades and handles are interchangeable with other leading manufacturer. All sets can be combined as per your request, and delivered in plastic Pouch.

Laryngoscope Miller
Thread Type in Rexien Pouch



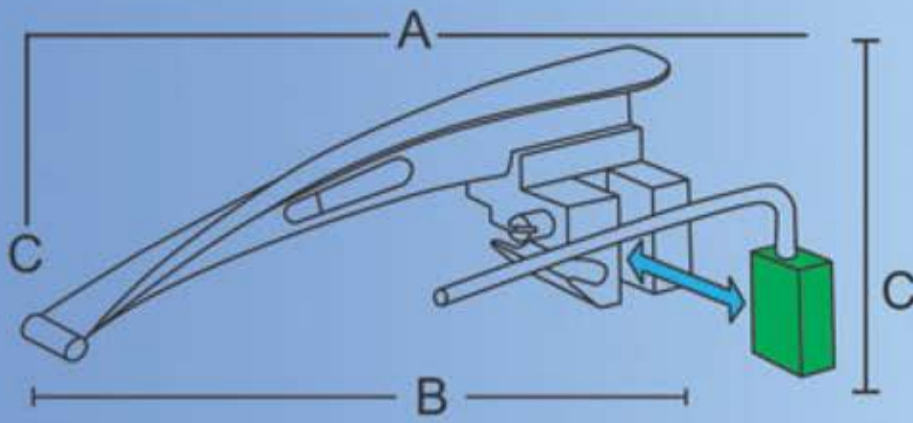
Blades

Size	A	B	C	Working Length
0	75mm	53mm	26mm	55mm
1	111mm	80mm	26mm	80mm
2	151mm	134mm	28mm	130mm
3	188mm	167mm	28mm	170mm
4	203mm	180mm	28mm	180mm

786-856
Mac Economy Set
Set of 4 Blade + 1 Handle

786-857
Miller Economy Set
Set of 4 Blade + 1 Handle

MC-INTOSH FIBER OPTIC LARYNGOSCOPE



BLADE

Size	A	B	C	Working Length
0	77mm	53mm	14mm	55mm
1	95mm	72mm	43mm	70mm
2	111mm	86mm	44mm	78mm
3	133mm	109mm	44mm	108mm
4	151mm	129mm	44mm	133mm

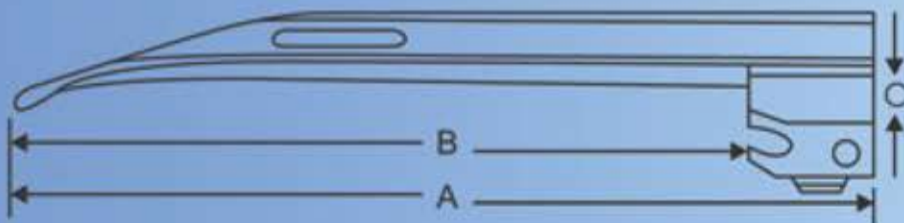
Mc-Intosh Laryngoscope Fiber Optic Set

Halogen illumination. Manufactured from AISI 304 Stainless-Steel, Halogen Illumination 2.5 V. The Bulb is inside the handle in order to simplify the sterilization of the blades. All blades and handles are interchangeable with other leading manufacturer. All sets can be combined as per your request, and delivered in Green plastic economy case.

Blades Availability:

- Matt Finish
- Mirror Finish
- Sand Blast Finish
- Pls, confirm in your order list

Fiber Optic Miller Laryngoscope Thread Type in Rexien Pouch



Blades

Size	A	B	C	Working Length
0	75mm	53mm	26mm	55mm
1	111mm	80mm	26mm	80mm
2	151mm	134mm	28mm	130mm
3	188mm	167mm	28mm	170mm
4	203mm	180mm	28mm	180mm

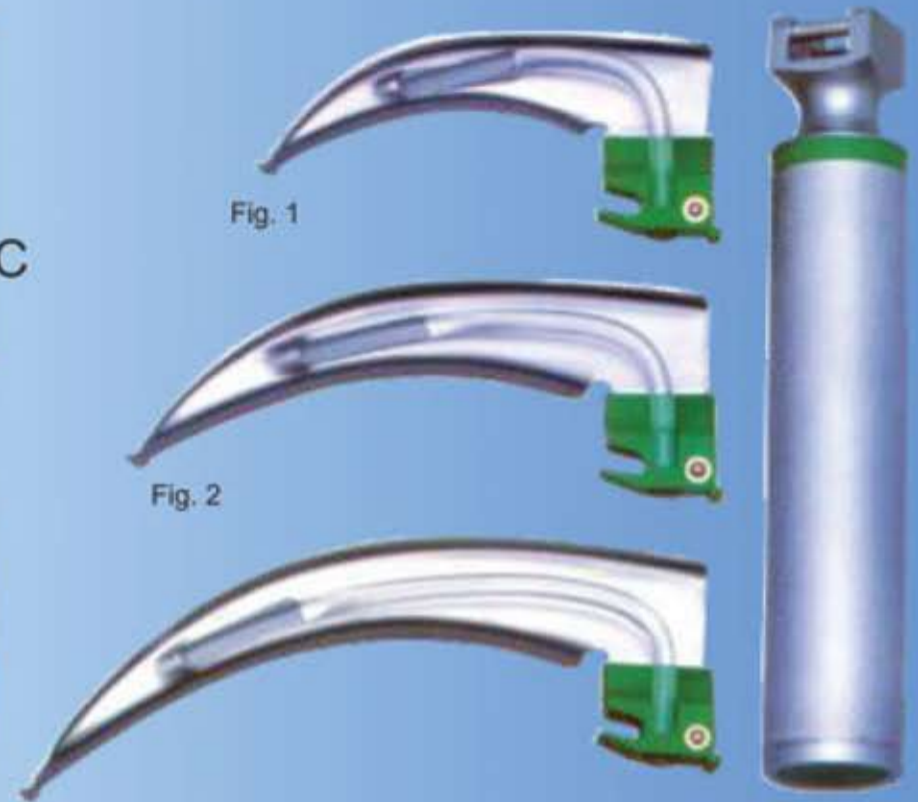


Fig. 3

786-858
Mc-Intosh Economy Set
Set of 3 Blade + 1 Handle

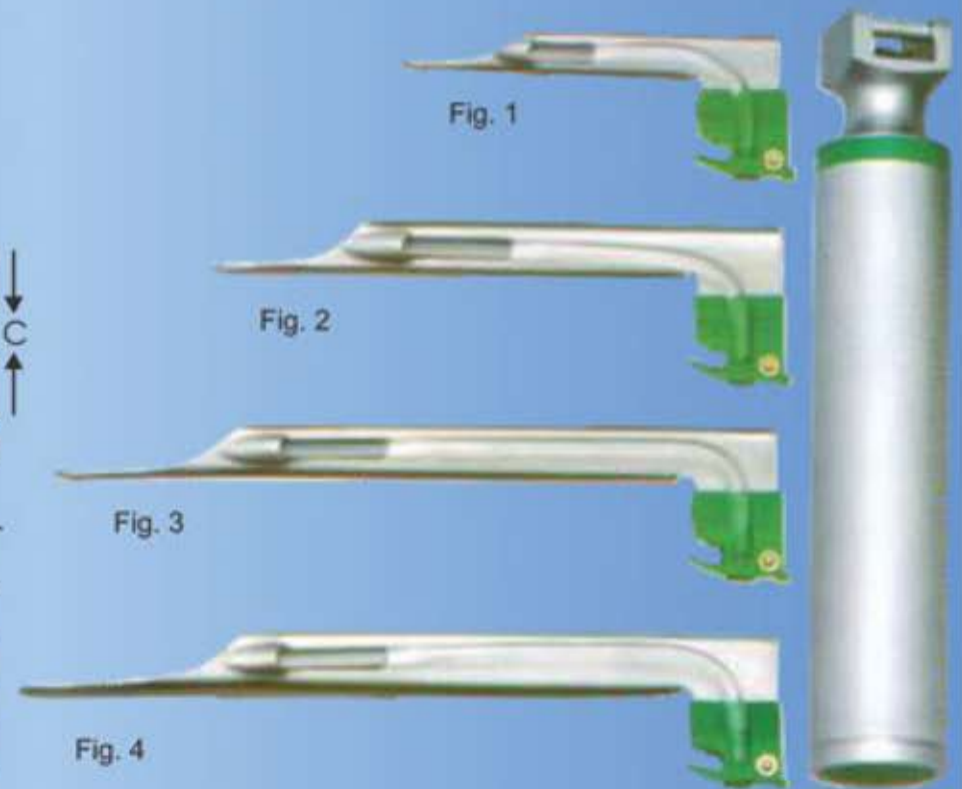
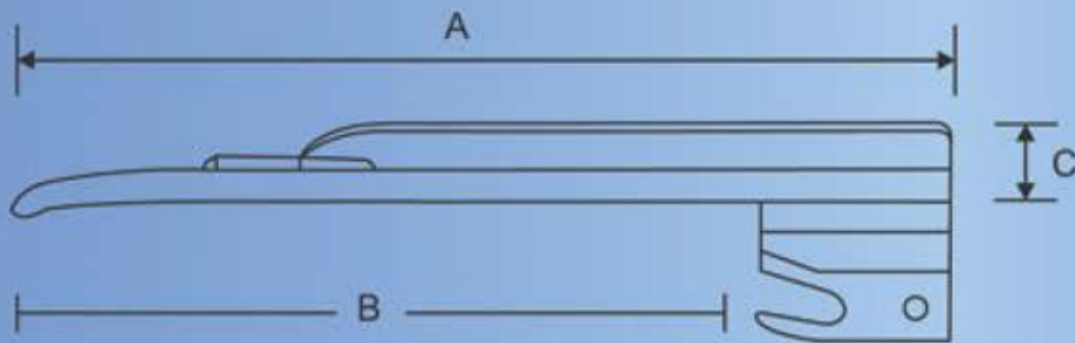


Fig. 4

786-859
Miller Economy Set
Set of 4 Blade + 1 Handle

FIBER OPTIC MILLER LARYNGOSCOPE



BLADE

Size	A	B	C
0	80mm	55mm	38mm
1	97mm	75mm	40mm
2	155mm	131mm	40mm
3	194mm	170mm	40mm
4	256mm	231mm	48mm
5	300mm	271mm	48mm

Available Sets with Battery Handle

786-860

Set of 0,1,2
Supplied in Black Wooden case

786-861

Set of 1,2,3
Supplied in Black Wooden case

786-862

Set of 0,1,2,3,4,5
Supplied in Black Wooden case

Fig. 0

Fig. 1

Fig. 2

Fig. 3

Fig. 4

Fig. 5



Otoscope

2.5 V Standard light.
Otoscope head: Luir Lock contact fitting.
Fixed lens 4X in plastic mount may be removed for introduction of instruments.
Reusable Longer veterinary speculas 2.5, 3.5 & 4.5mm dia. Included Battery
Handle Made of Brass, Lonized Plated handle with Push button for 2 'C' Batteries.
Replacement bulb: 2.5 v



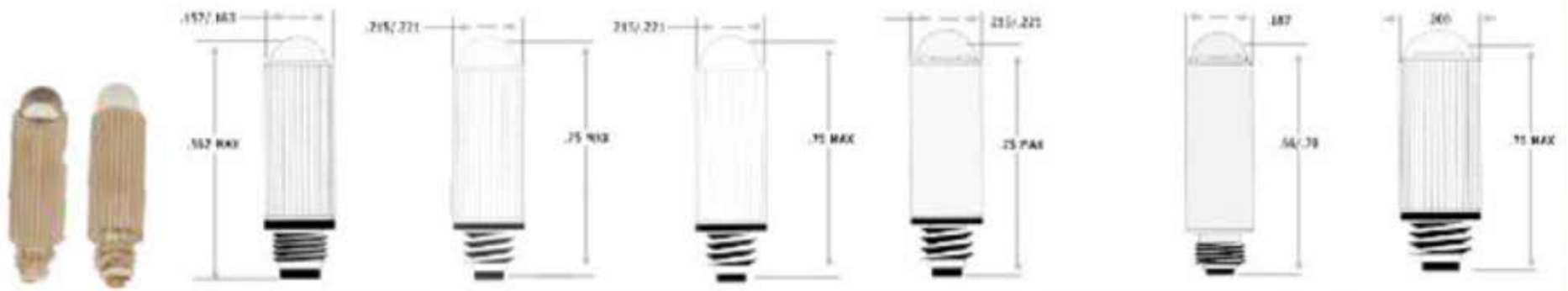
Laryngoscope Battery for 2 'C' type batteries



Miller Laryngoscope Fiber Optic 786-863

Halogen illumination. Blades manufactured from stainless steel AISI 304.
Supplied in Red / Black wooden Box.

Bulbs For Conrentional + Fiber Optic Use



786-864
Standard
Bulbs

786-865 Frosted
786-866 Clear
1-8 72NS3
Thread 2.5V
.28A 20 Hour Life
Nickel Plated
Vacumm T-1
Lamp

786-867 Frosted
786-868 Clear
8-32 UNC 2A
Thread 2.5V
.28A 20 Hour
Life Nickel Plated
Vacumm
TL-1 ½ Lamp

786-869
8-32 UNC 2A
Thread 2.5V
.38A 20 Hour
Life Nickel Plated
Vacumm
TL-1 ½ Lamp

786-870
8-32 UNC 2A
Thread 2.5V
.35A 15 Hour
Life Nickel Plated
Vacumm
TL-1 ½ Lamp

786-871
3.5 X .35mm
Thread 2.5V
.28A 15 Hour
Life Nickel Plated
Vacumm
TL-1 ¼ Lamp

786-872
8-32 UNC 2A
Thread 2.5V
.30A 15 Hour
Life Nickel Plated
Vacumm
TL-1 ¼ Lamp



2C 2AA 2AA 2D

Fiber Optic Handles With Bulb

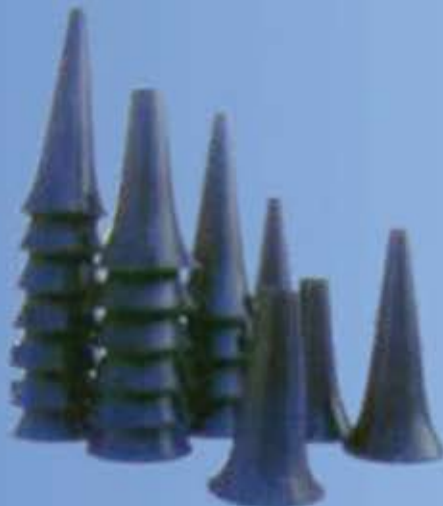
	Size	Batteries
786-873	Medium / Standard	2C
786-874	Small / Penlight	2AA
786-875	Stubby	2AA
786-876	Large	2D



2C 2AA 2AA 2D

Conventional Handles

	Size	Batteries
786-877	Medium / Standard	2C
786-878	Small / Penlight	2AA
786-879	Stubby	2AA
786-880	Large	2D



786-881
Disposable specula LTI-1
Size: 1.5, 2.5, 3.5, 4 & 4.5mm



786-882
Reusable specula LTI-2
Size: 3.5, 4.5 & 5.5mm



786-883
Reusable specula LTI-3
Size: 2.5, 3.5 & 4.5mm