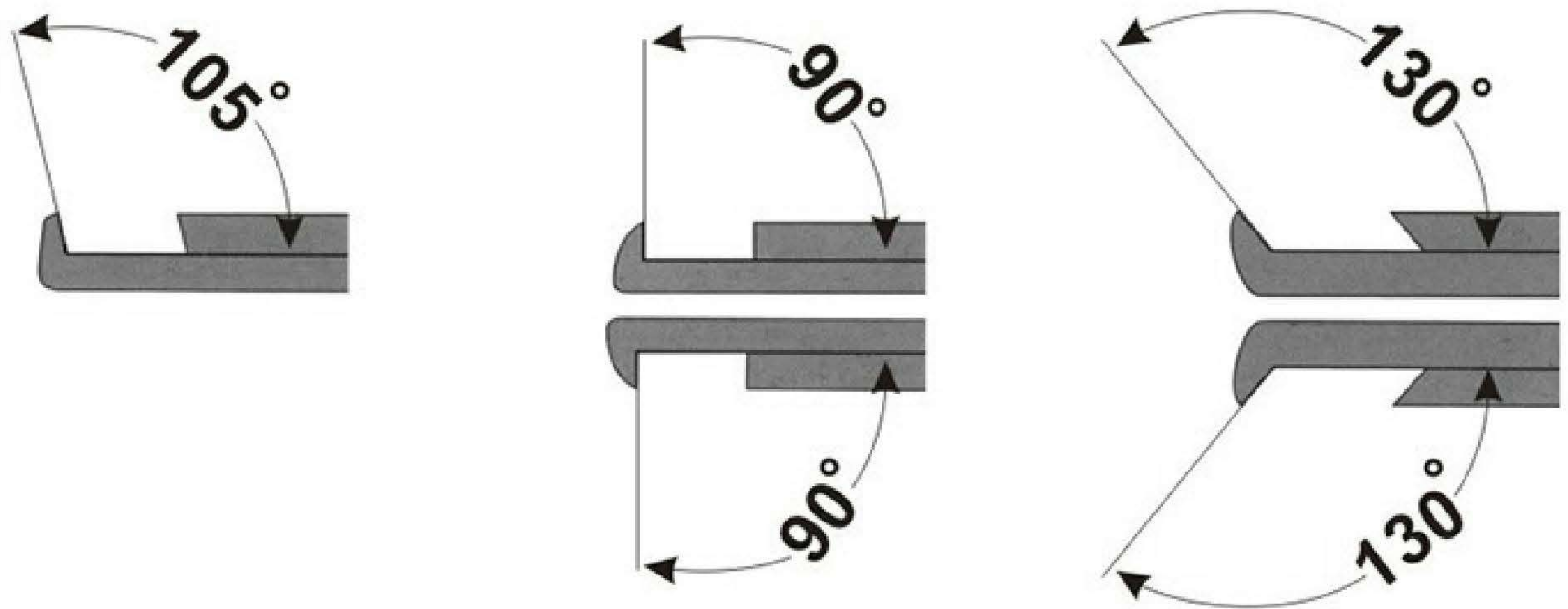
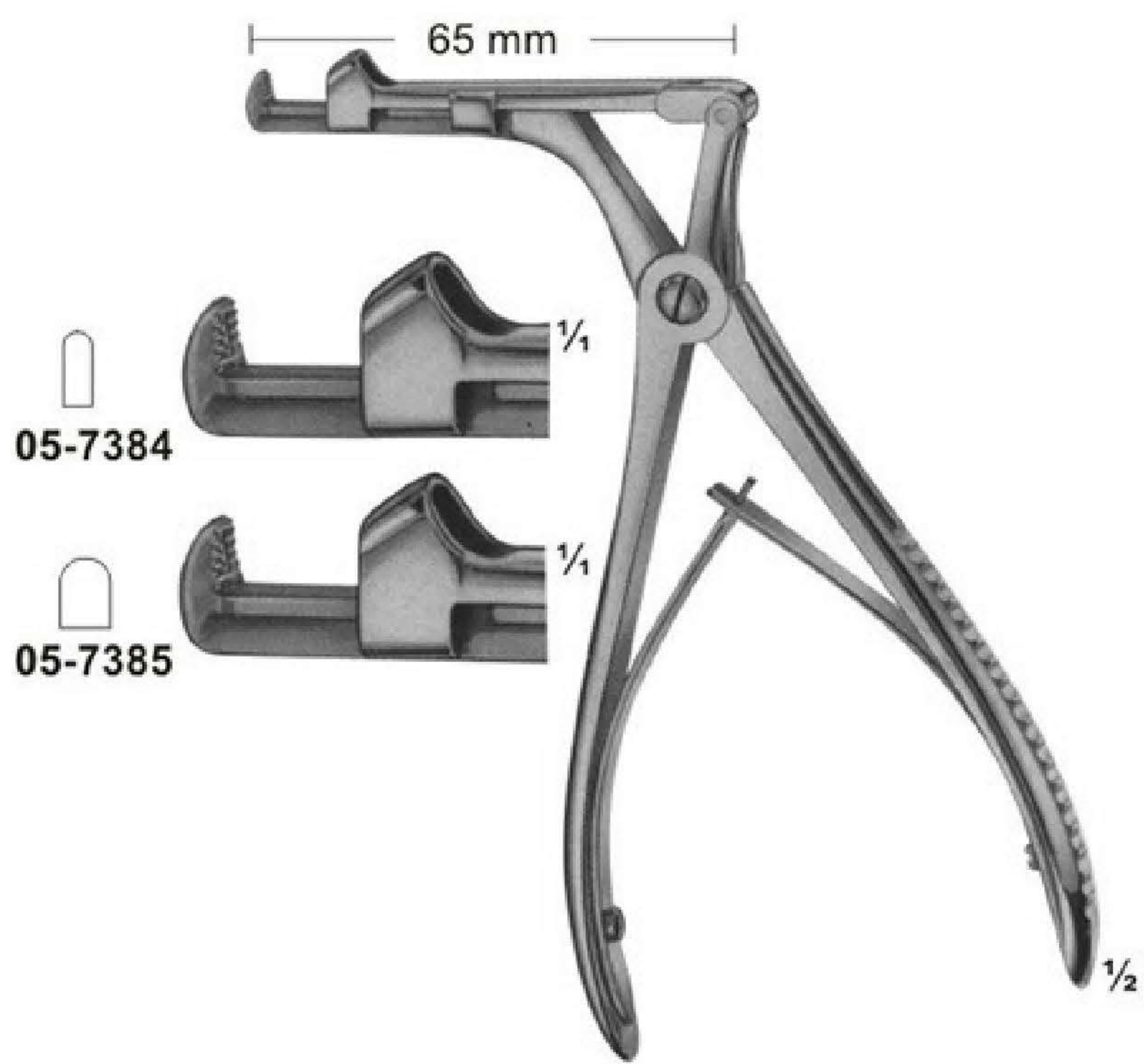


# Punches

## Angled positions for punchus

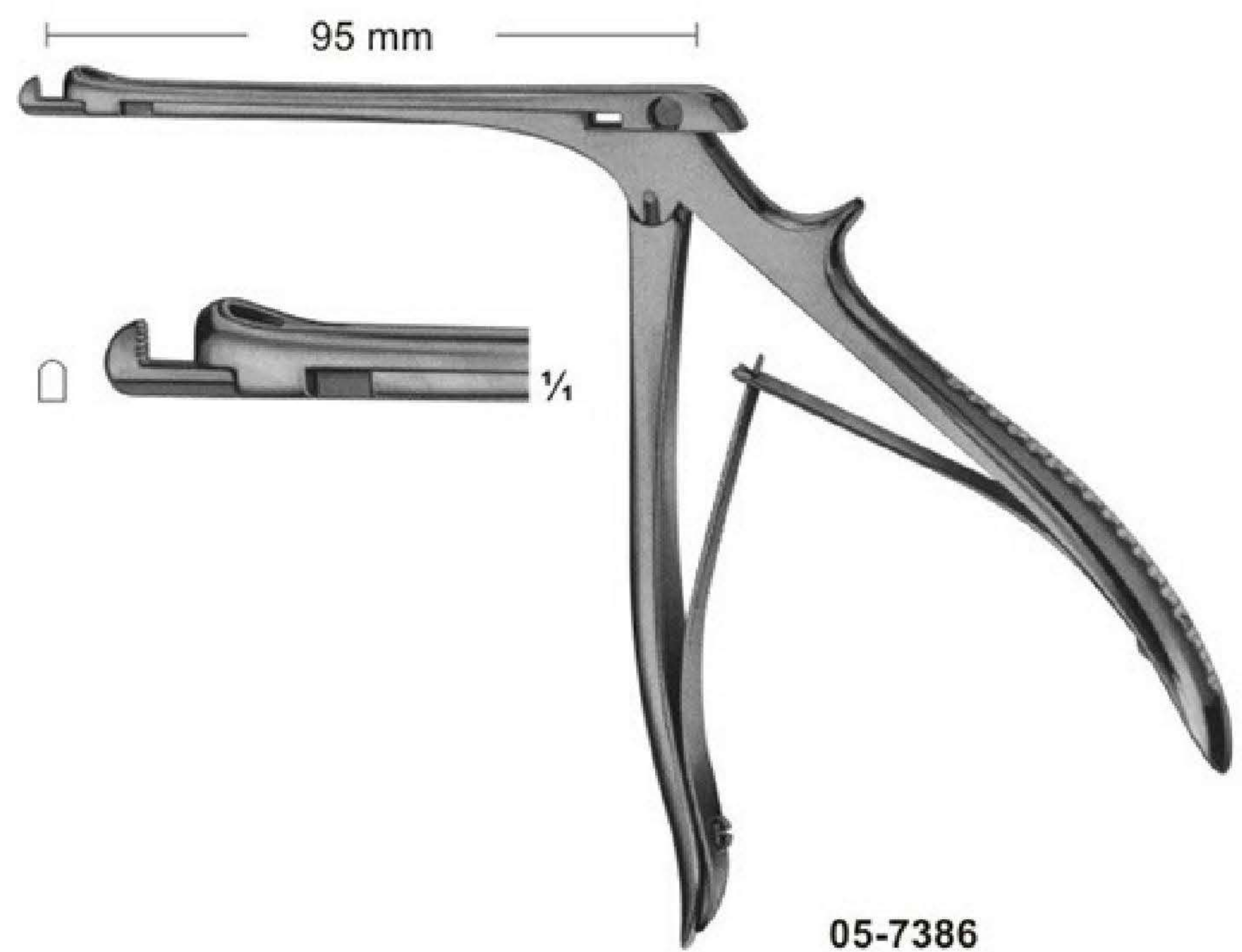


**90°** upwards cutting



**05-7384 - 05-7385**  
CITELLI  
05-7384 2mm  
05-7385 3.5mm

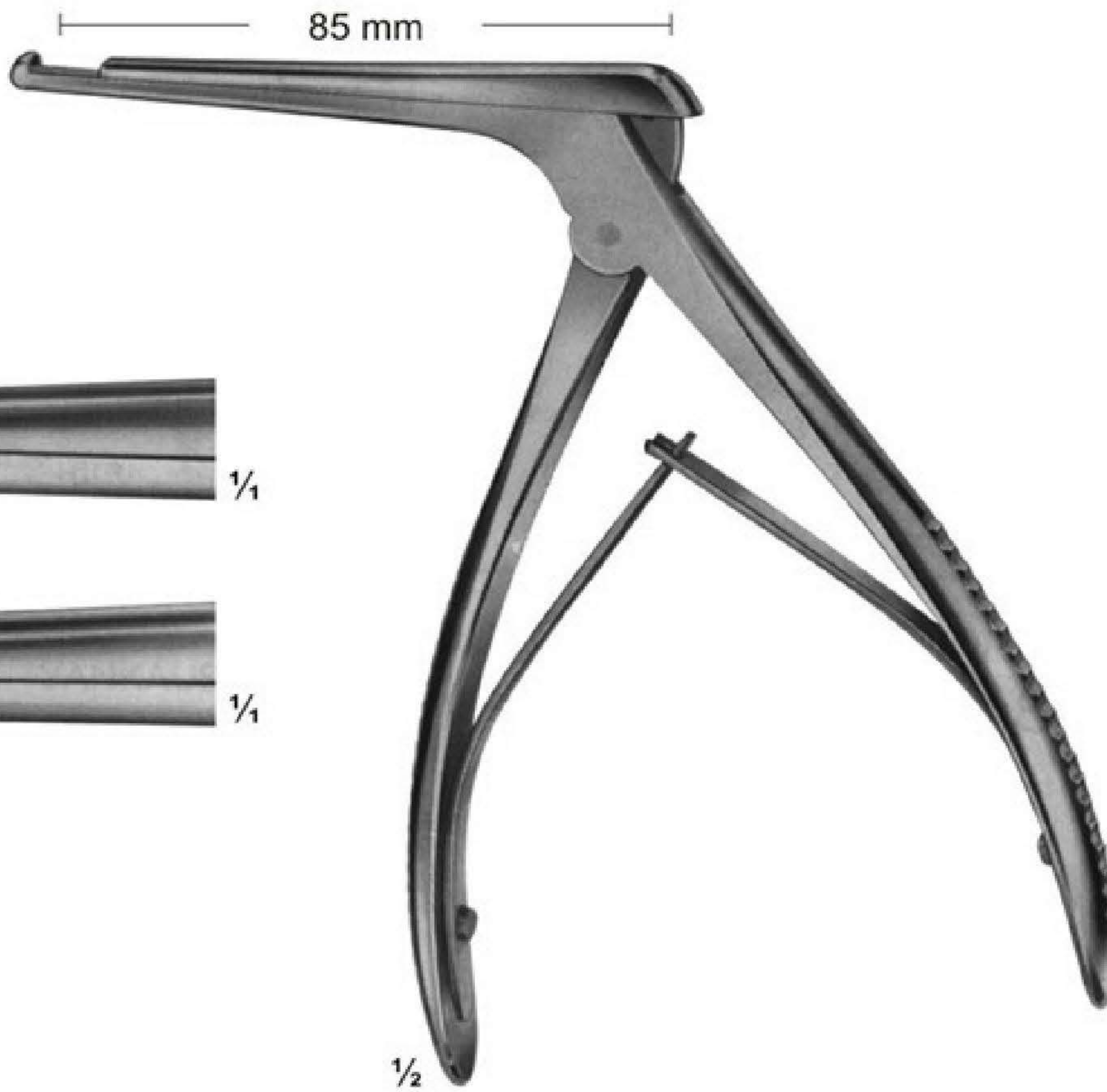
**90°** upwards cutting



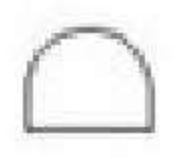
**05-7386**  
CITELLI- BEYER  
1,8 mm

# Punches

**90°** upwards cutting



05-7387  
4 mm

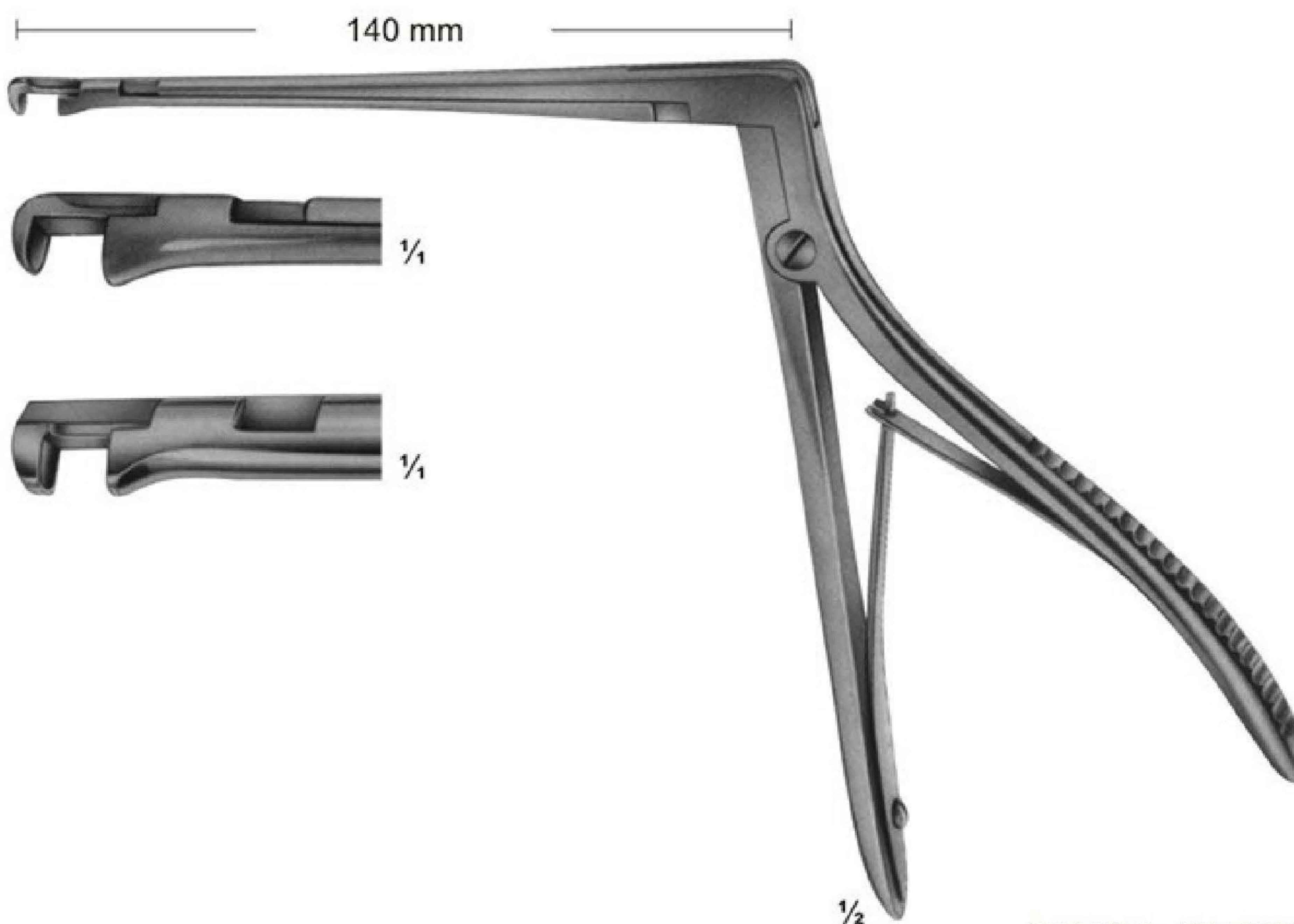


05-7388  
5 mm

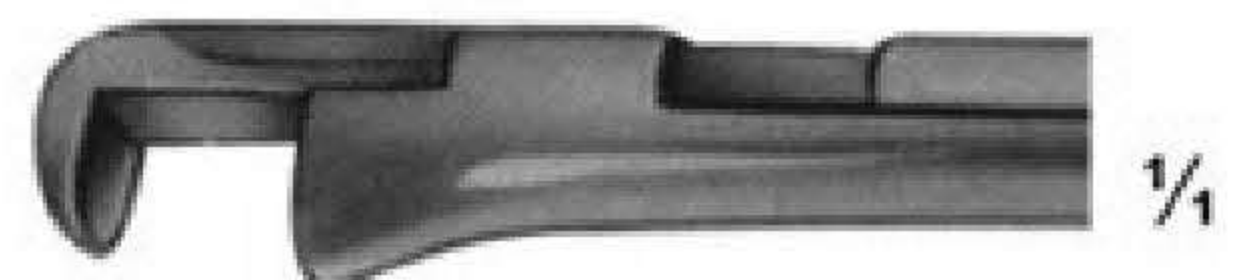


05-7387 - 05-7388  
KERRISON

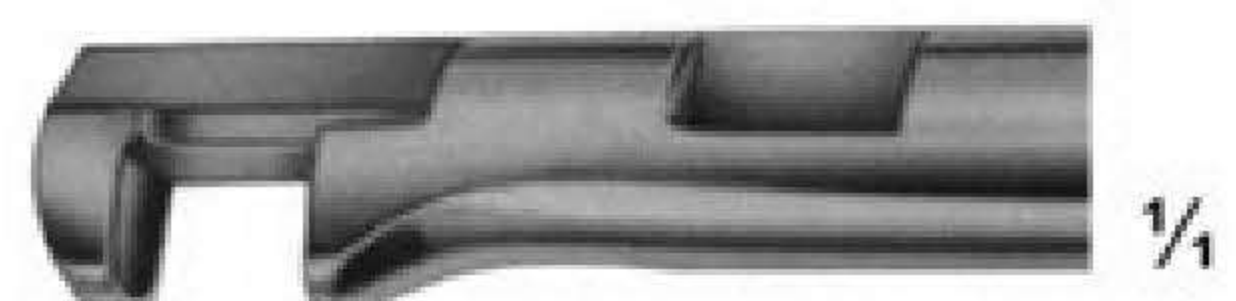
**90°** upwards cutting



05-7389  
3,3 mm



05-7390  
4,0 mm



05-7389 - 05-7390  
HAJEK-KOFLER

# Punches

**130°** upwards cutting

KERRISON-JACOBY

**05-7391**  
 1 mm □

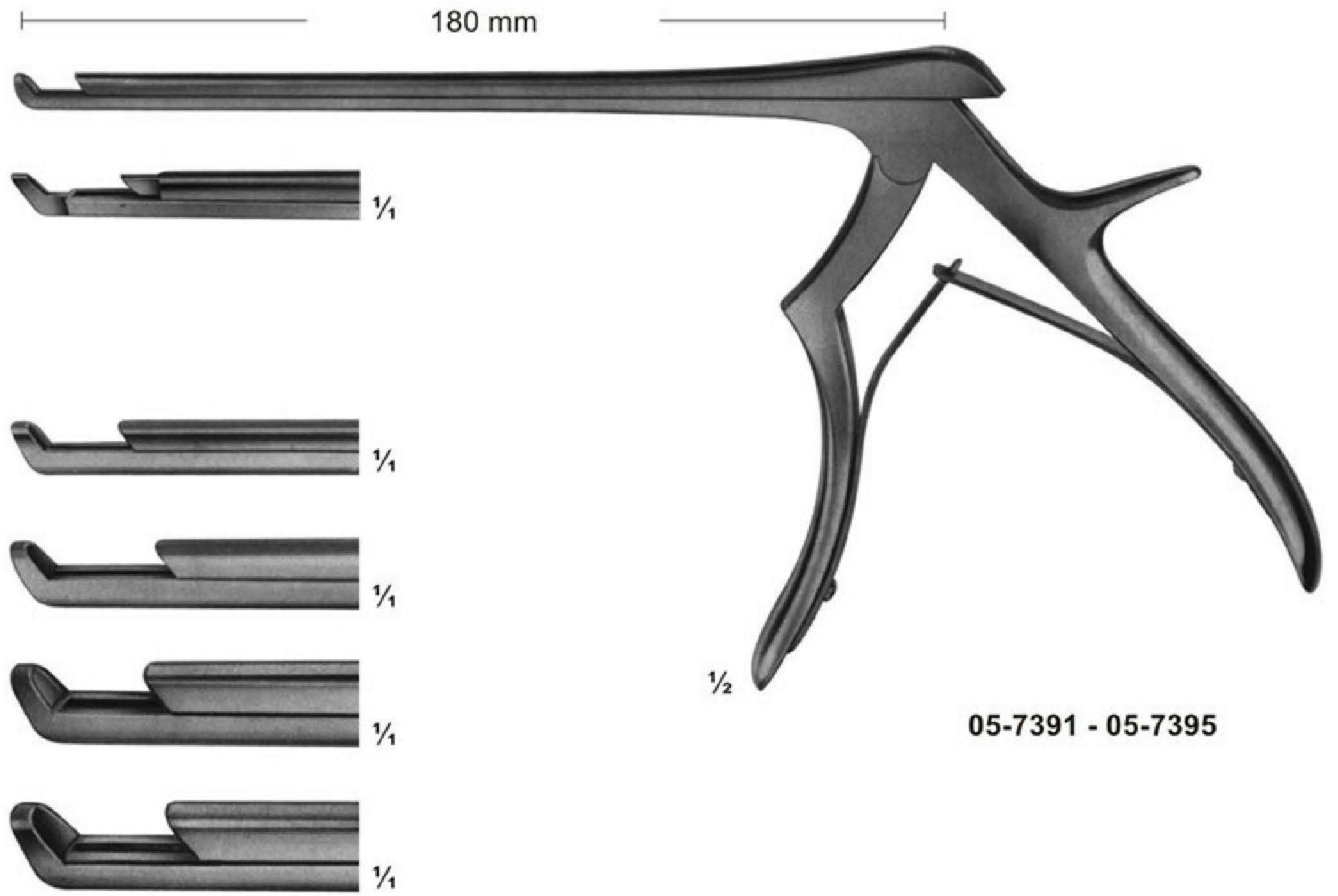
FERRIS-SMITH-KERRISON

**05-7392**  
 2 mm □

**05-7393**  
 3 mm □

**05-7394**  
 4 mm □

**05-7395**  
 5 mm □



05-7391 - 05-7395

**90°** upwards cutting

KERRISON-JACOBY

**05-7396**  
 1 mm □

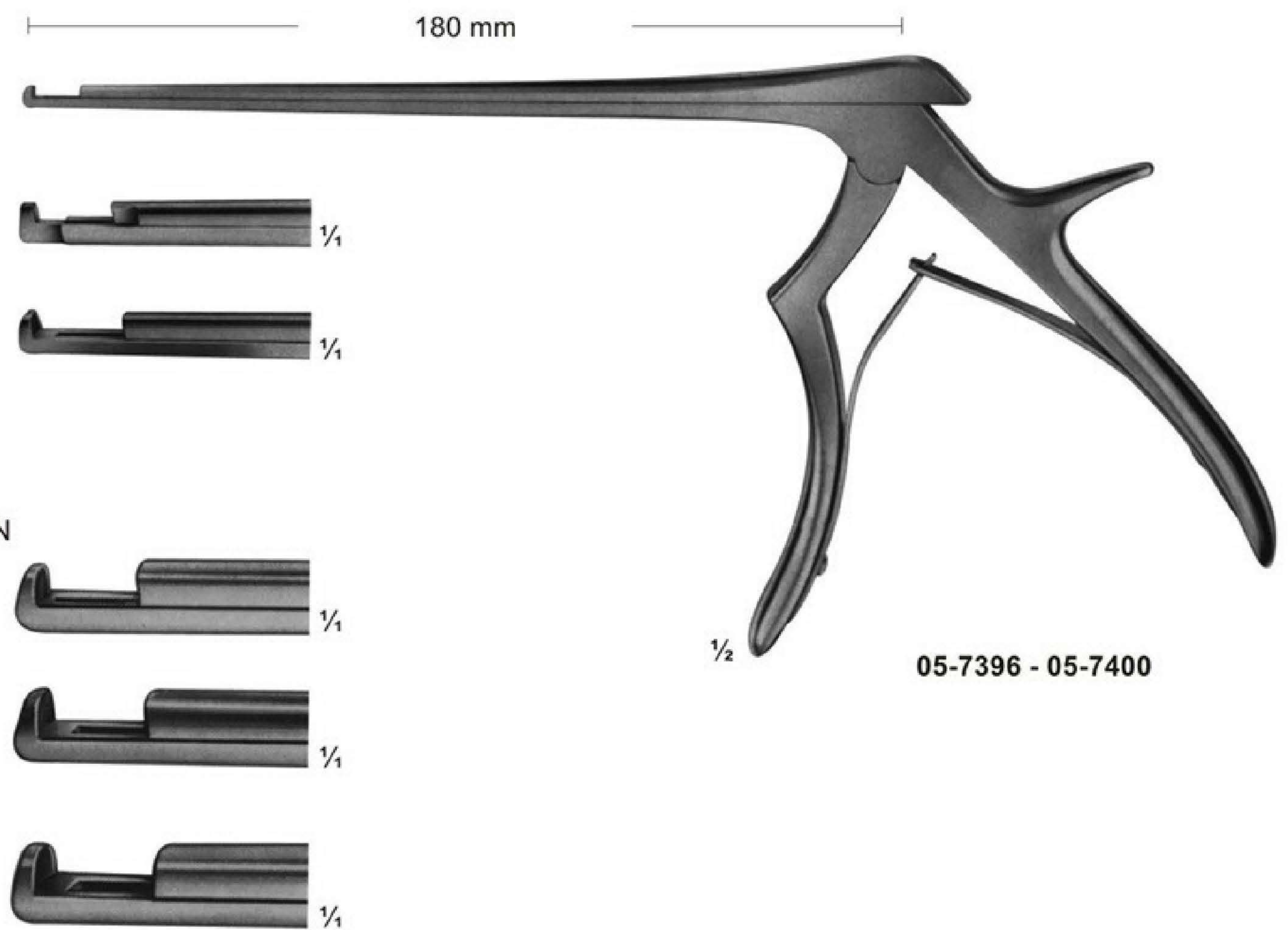
**05-7397**  
 2 mm □

FERRIS-SMITH-KERRISON

**05-7398**  
 3 mm □

**05-7399**  
 4 mm □

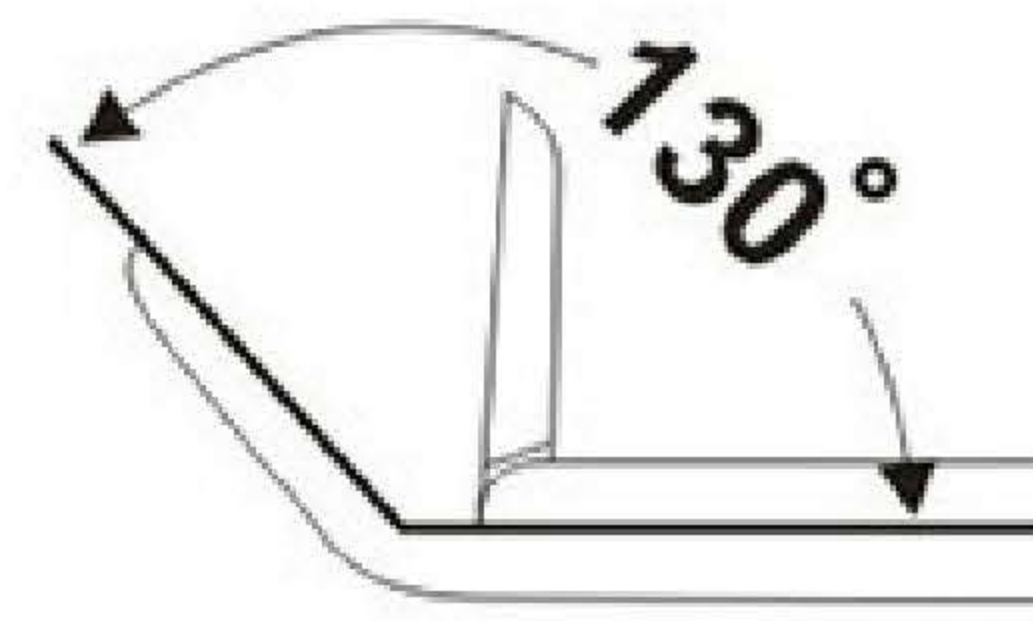
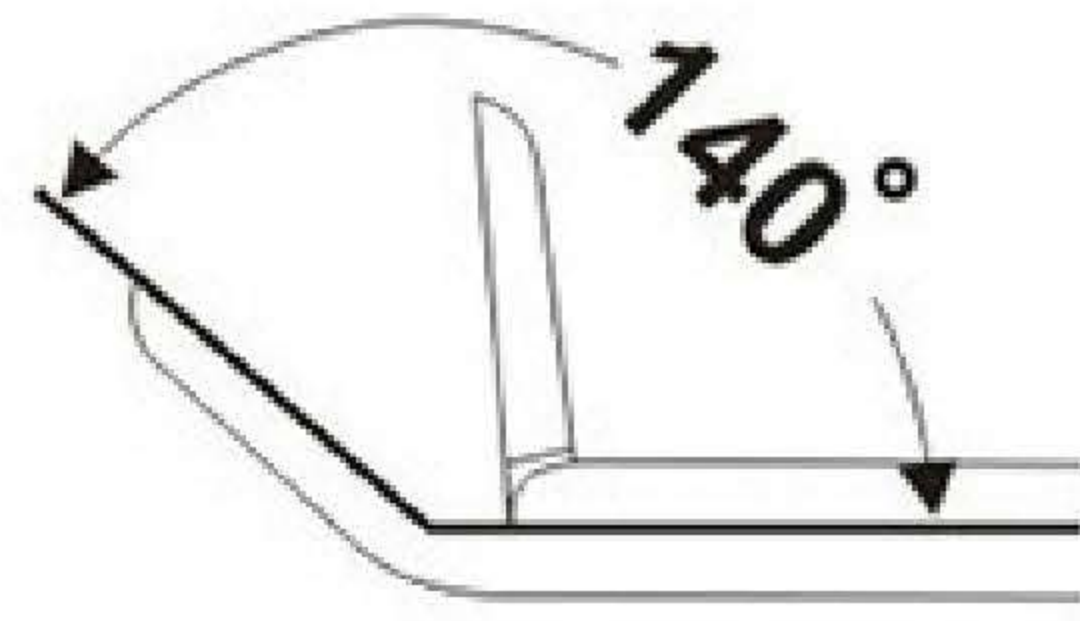
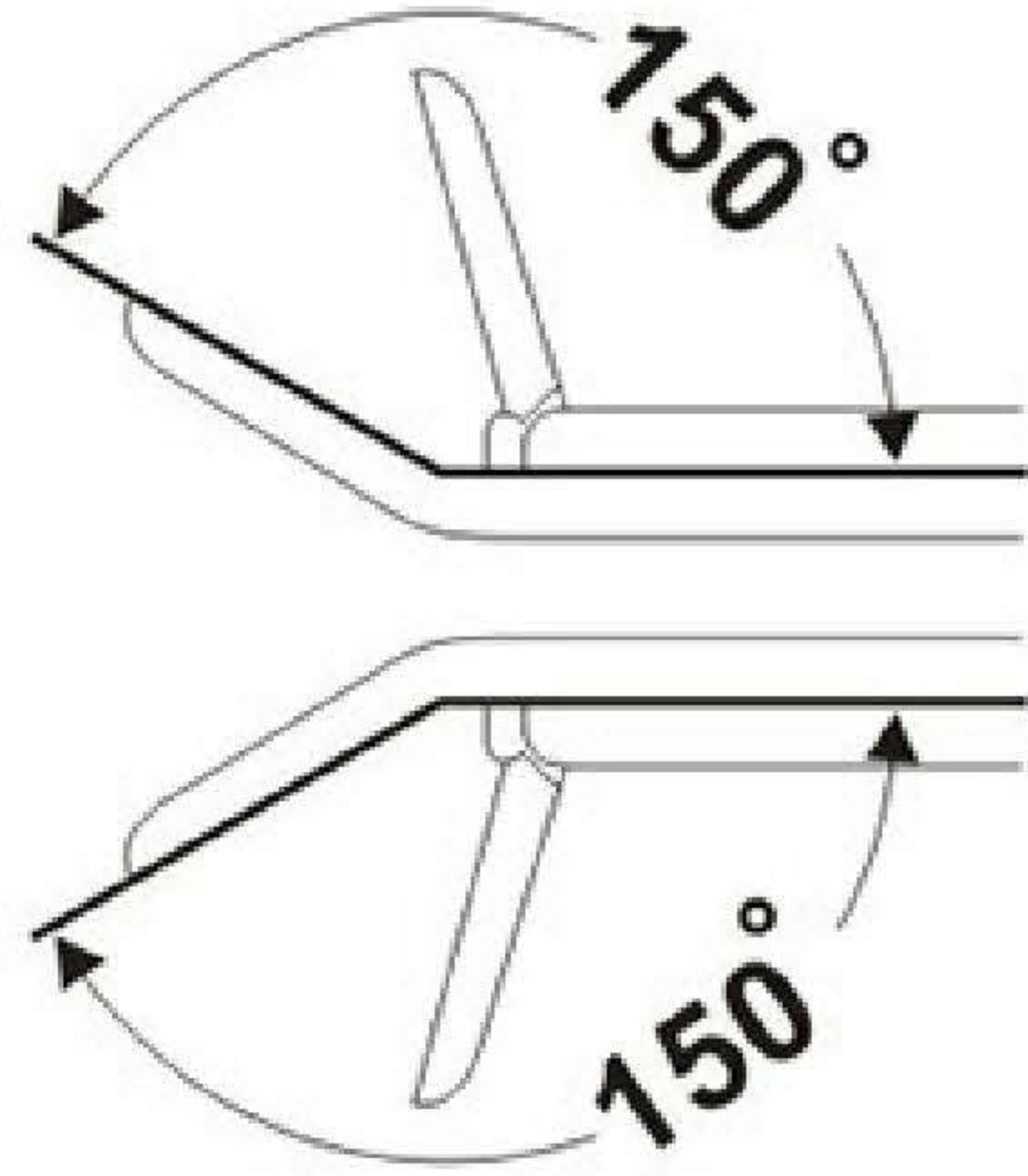
**05-7400**  
 5 mm □



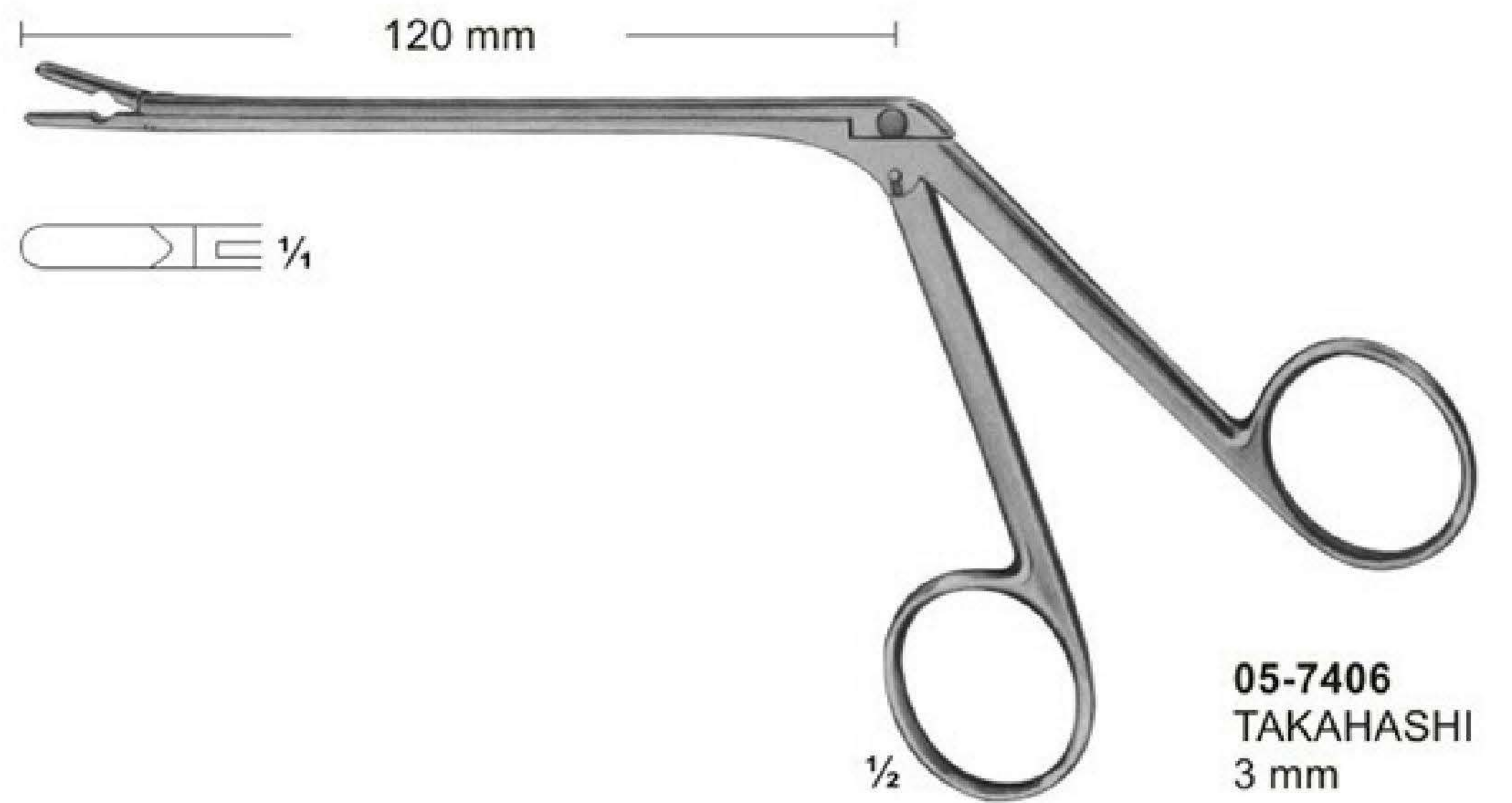
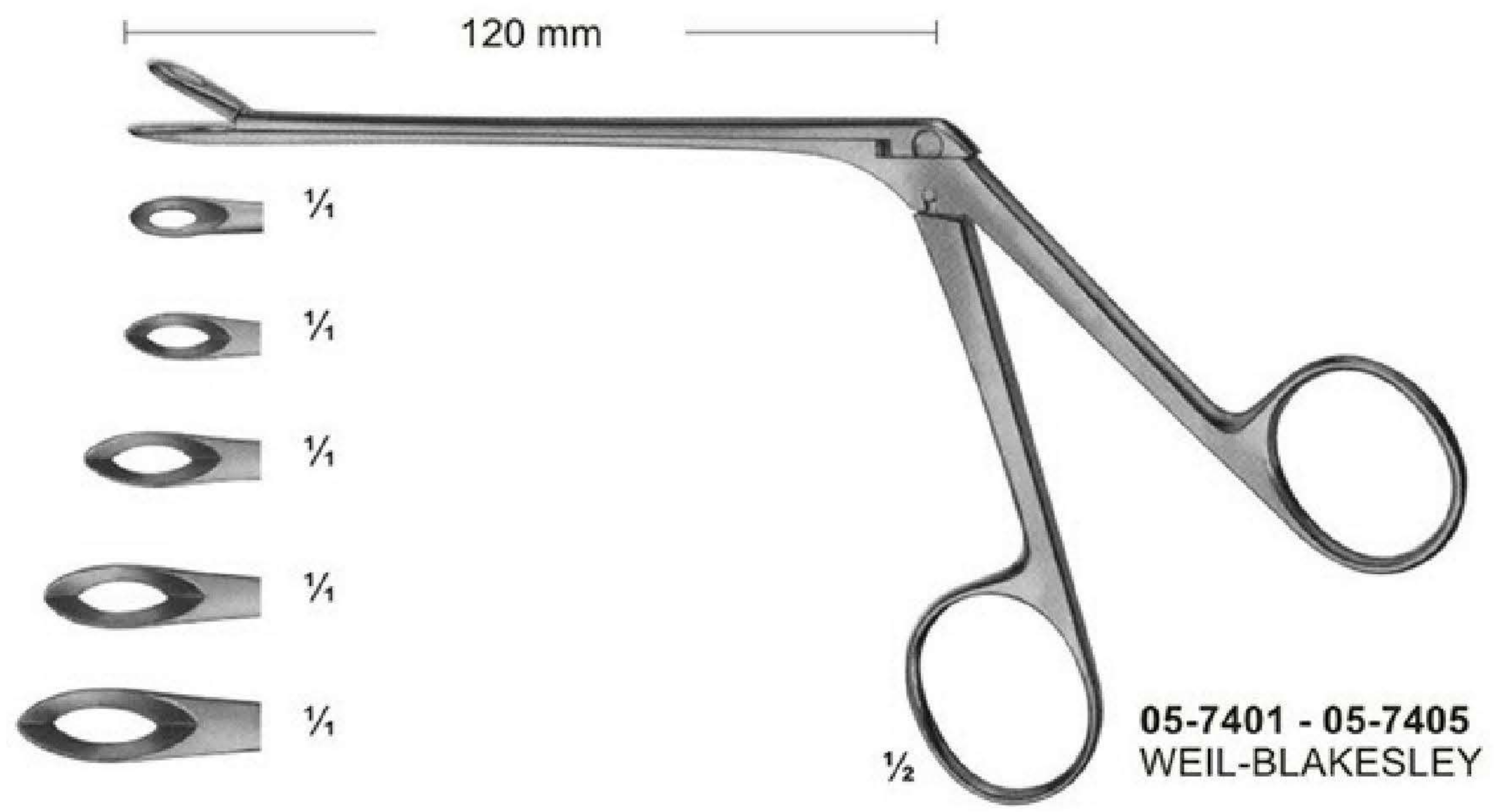
05-7396 - 05-7400

# Rongeurs

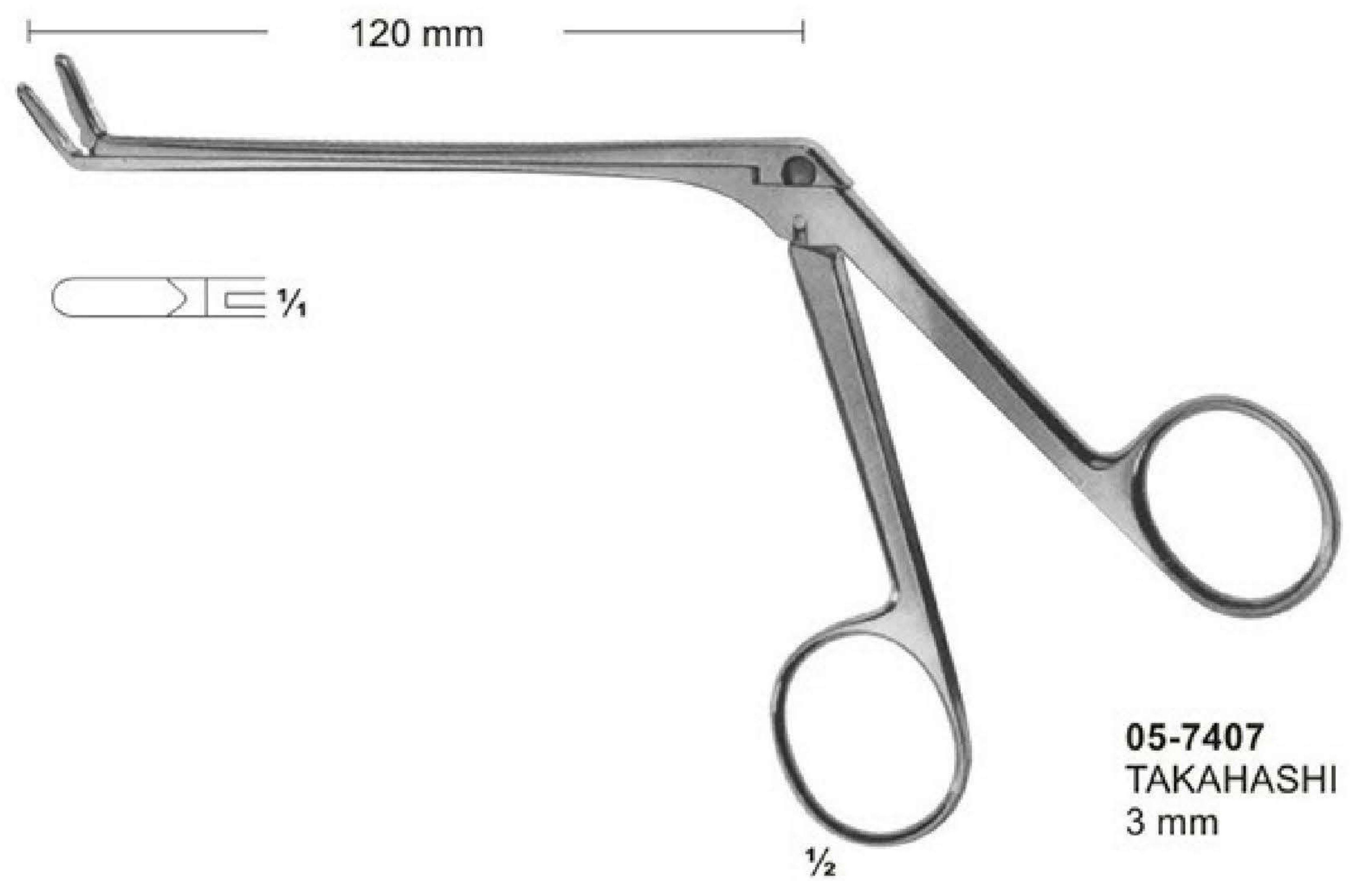
Angled positions for rongeurs



- 05-7401**  
3,0 mm
- 05-7402**  
3,6 mm
- 05-7403**  
4,2 mm
- 05-7404**  
4,8 mm
- 05-7405**  
5,8 mm



130°



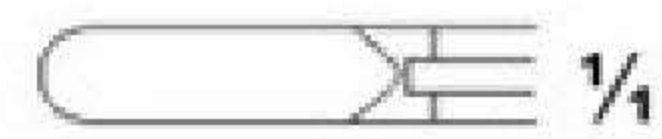
# Rongeurs

LOVE-GRUENWALD

**05-7408**  
2 X 10 mm

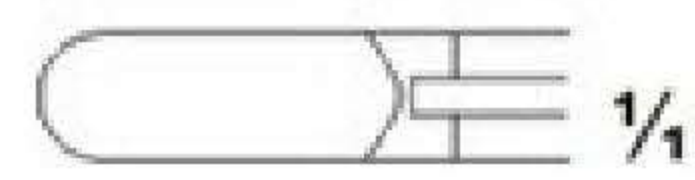


**05-7409**  
3 X 10 mm



SPURLING

**05-7410**  
4 X 10 mm



05-7408 - 05-7410

**05-7411**  
2 mm



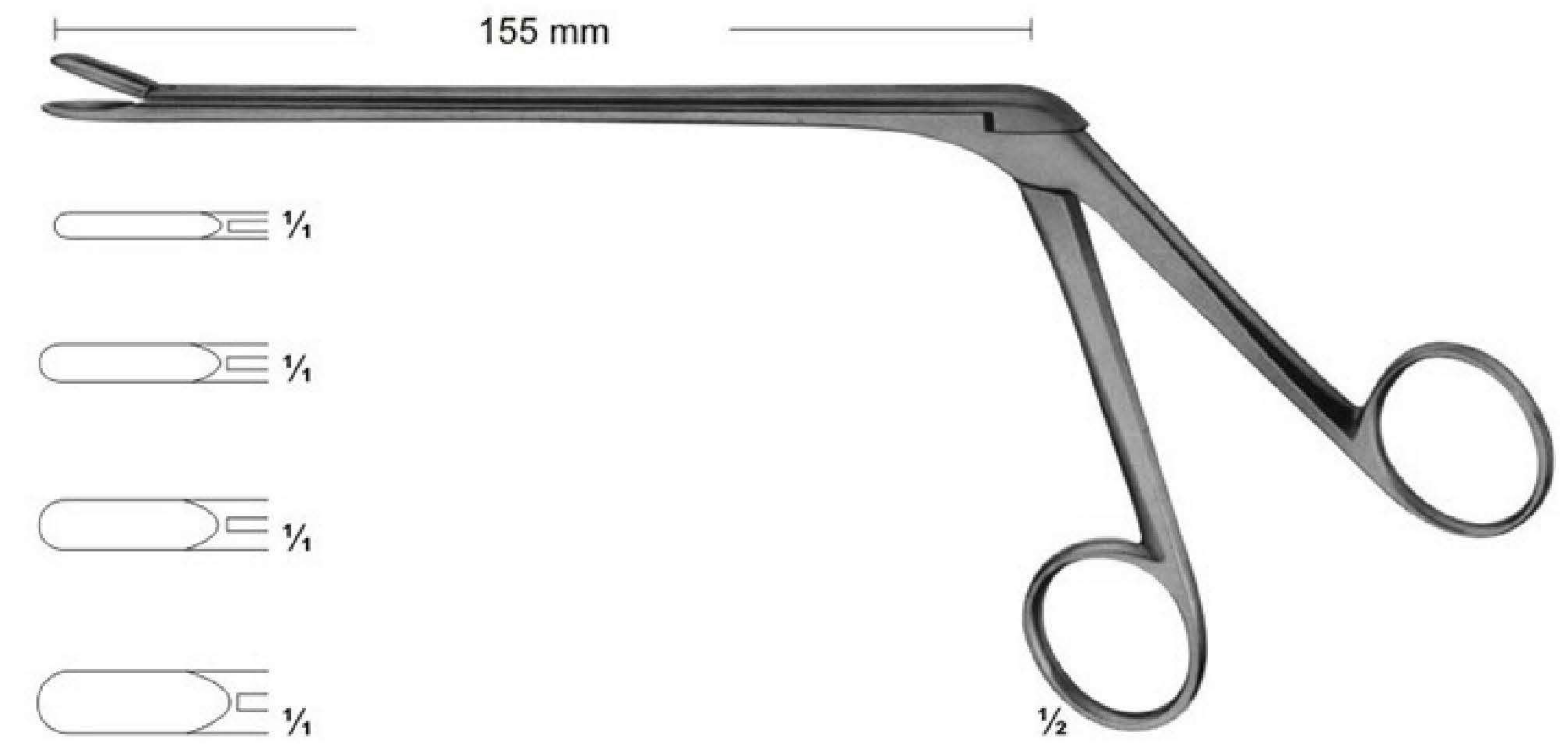
**05-7412**  
3 mm



**05-7413**  
4 mm



**05-7414**  
5 mm



05-7411 - 05-7414  
CASPAR

150°

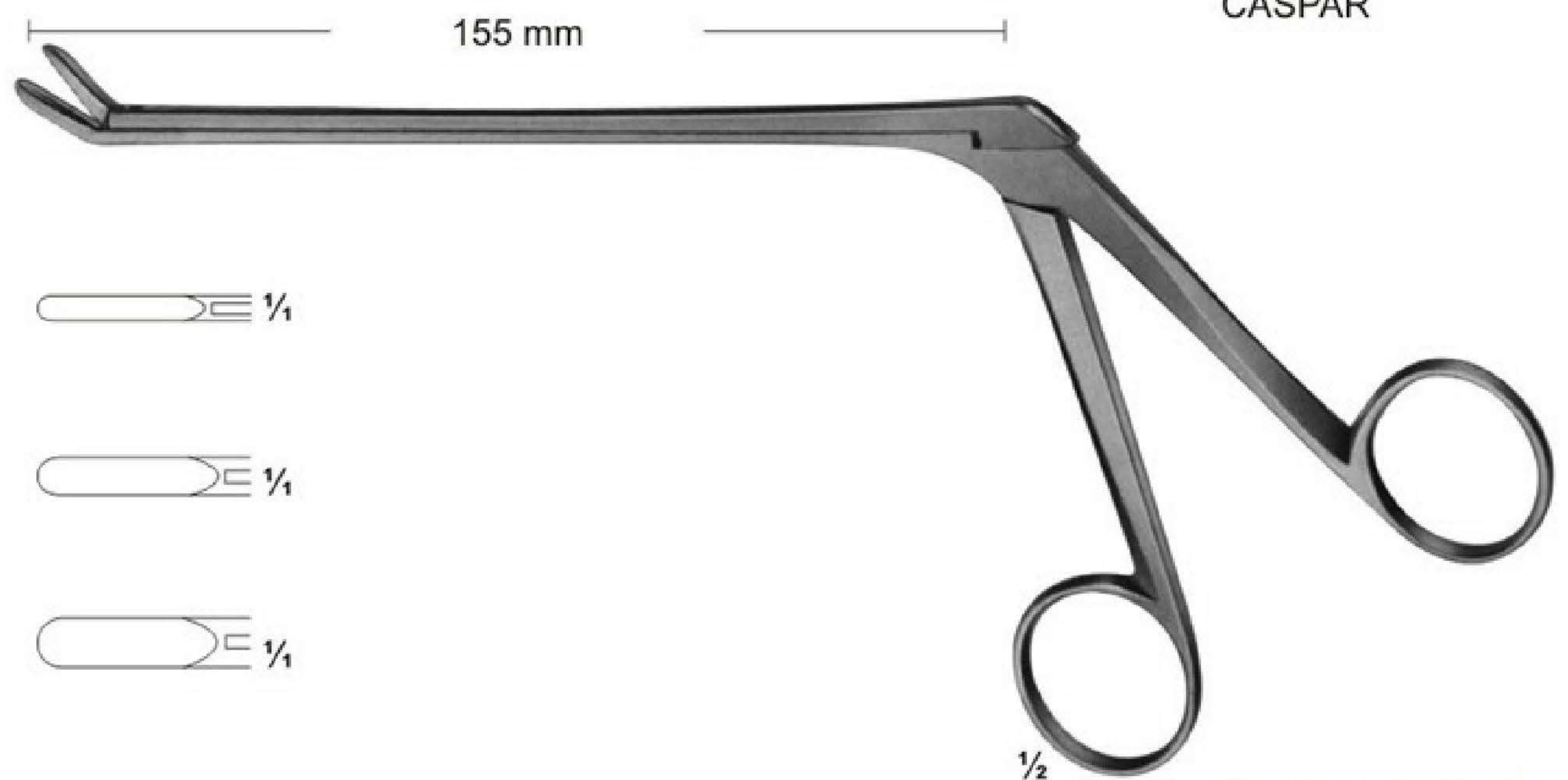
**05-7415**  
2 mm



**05-7416**  
3 mm



**05-7417**  
4 mm



05-7415 - 05-7417  
CASPAR

# Rongeurs

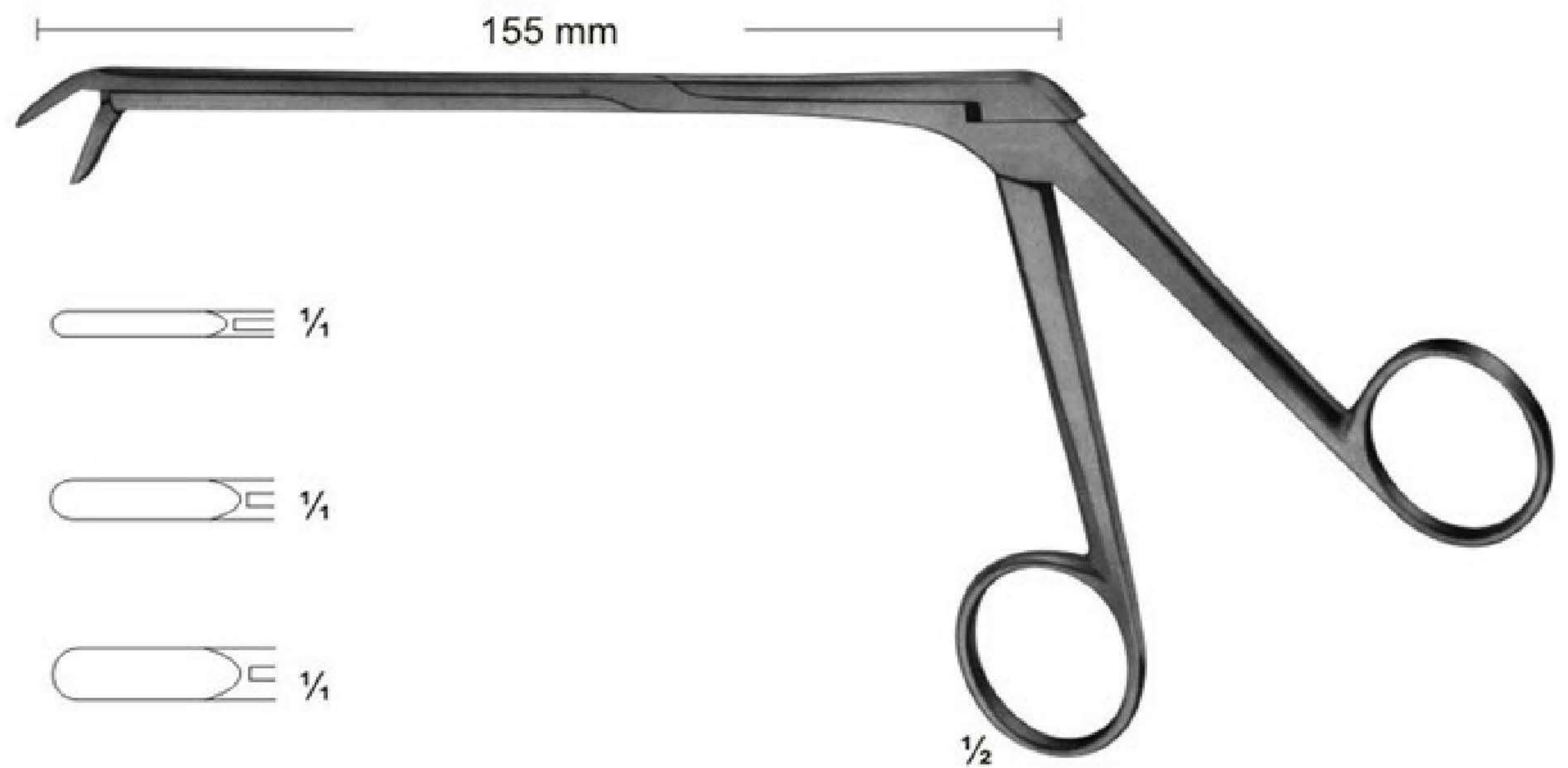
**150°**

Lower part of jaws movable

**05-7418**  
2 mm

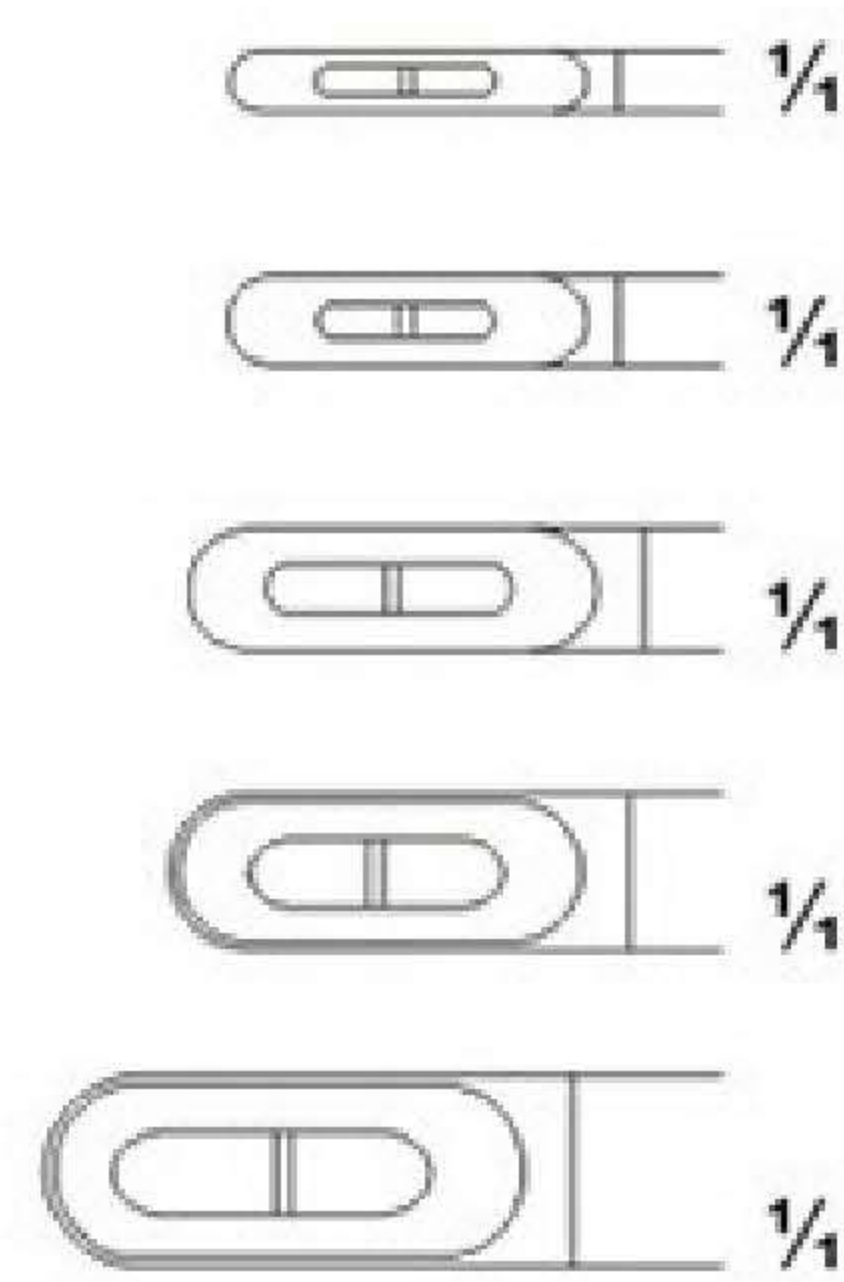
**05-7419**  
3 mm

**05-7420**  
4 mm



**05-7418 - 05-7420**  
CASPAR

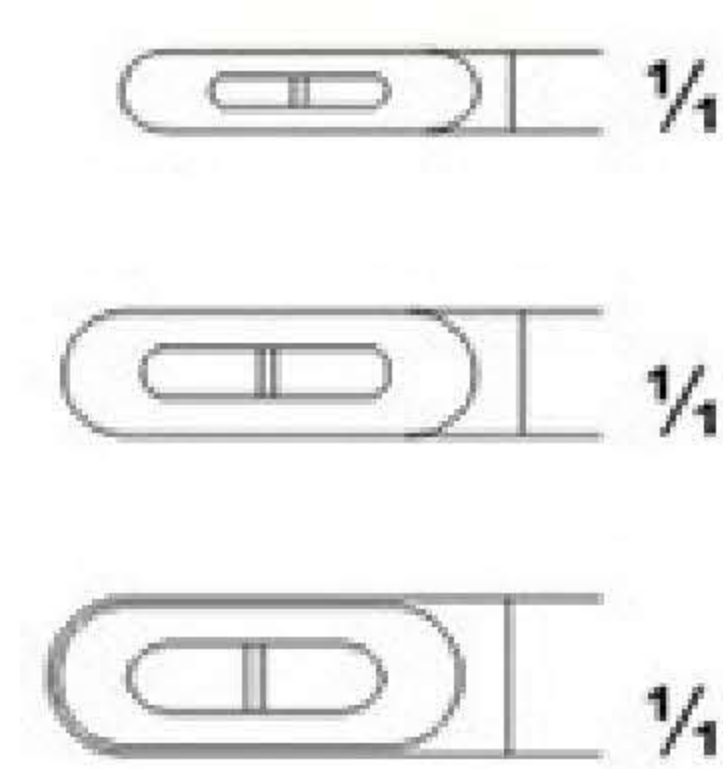
Length of shaft 140 mm	Length of shaft 160 mm	Length of shaft 185 mm	size of jaws
<b>05-7421</b>	<b>05-7426</b>	<b>05-7431</b>	2 X12 mm
<b>05-7422</b>	<b>05-7427</b>	<b>05-7432</b>	3 X12 mm
<b>05-7423</b>	<b>05-7428</b>	<b>05-7433</b>	4 X14 mm
<b>05-7424</b>	<b>05-7429</b>	<b>05-7434</b>	5 X14 mm
<b>05-7425</b>	<b>05-7430</b>	<b>05-7435</b>	6 X16 mm



**05-7421 - 05-7435**  
CASPAR

**150°**

Length of shaft 140 mm	Length of shaft 160 mm	Length of shaft 185 mm	size of jaws
<b>05-7436</b>	<b>05-7439</b>	<b>05-7442</b>	3 X12 mm
<b>05-7437</b>	<b>05-7440</b>	<b>05-7443</b>	4 X14 mm
<b>05-7438</b>	<b>05-7441</b>	<b>05-7444</b>	5 X14 mm



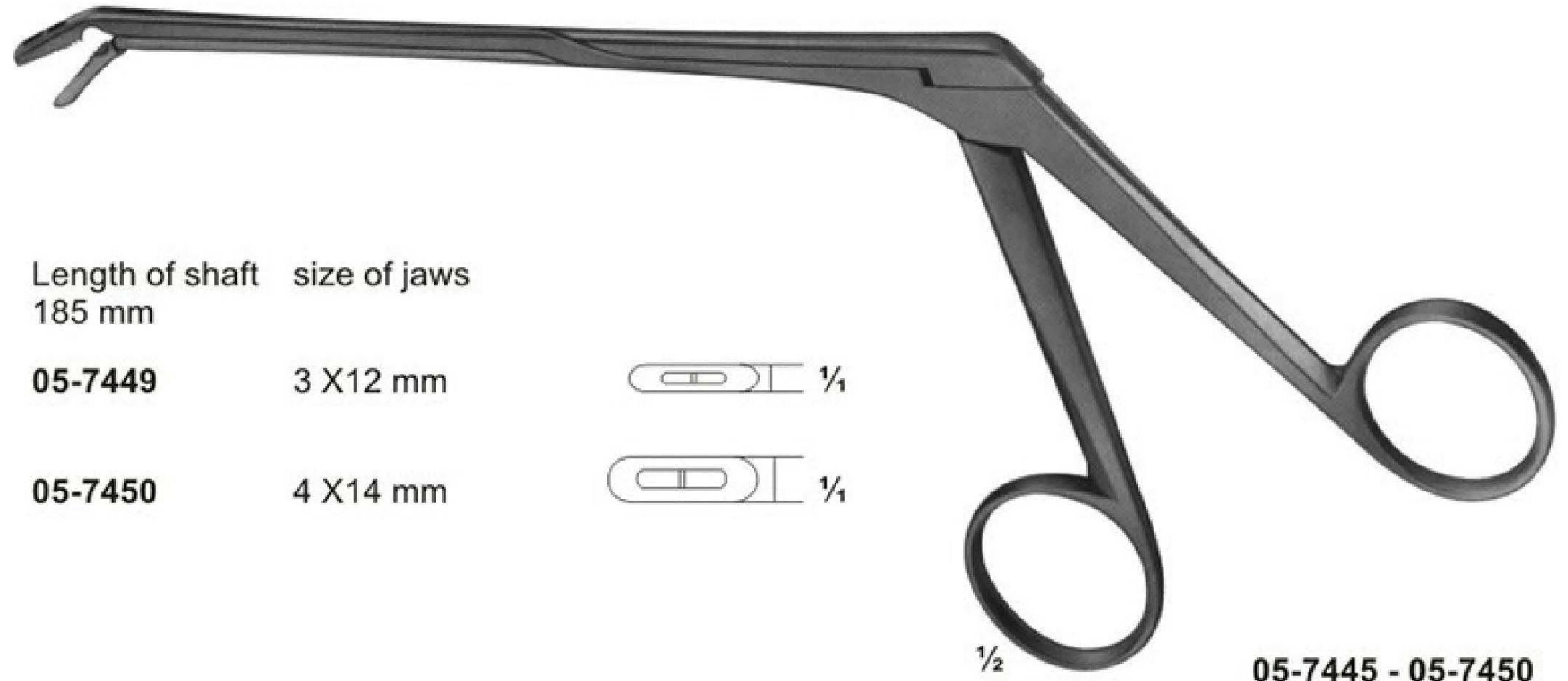
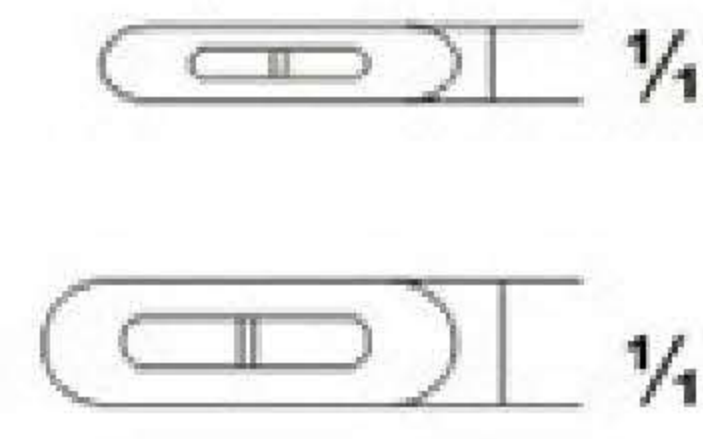
**05-7436 - 05-7444**  
CASPAR

# Rongeurs

**150°**

Lower part of jaw movable

Length of shaft 140 mm	Length of shaft 160 mm	Length of shaft 185 mm	size of jaws
<b>05-7445</b>	<b>05-7447</b>	<b>05-7449</b>	3 X 12 mm
<b>05-7446</b>	<b>05-7448</b>	<b>05-7450</b>	4 X 14 mm

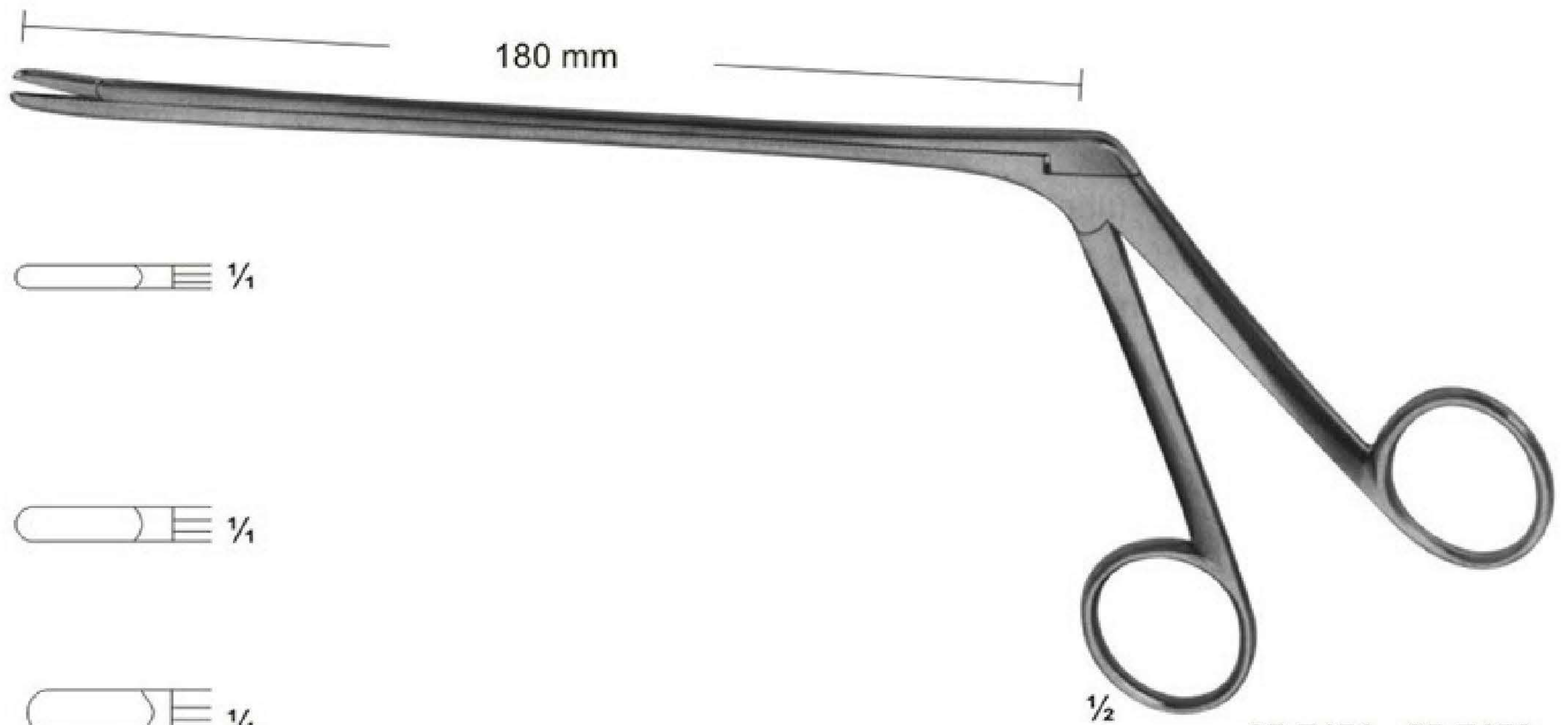
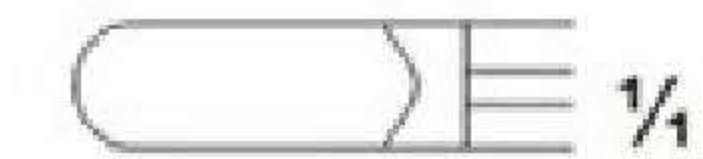
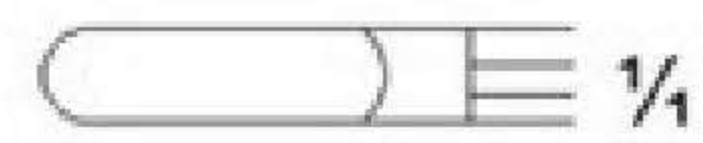


**05-7445 - 05-7450**  
CASPAR

**05-7451**  
2 X 10 mm  
CUSHING

**05-7452**  
3 X 10 mm  
LOVE-GRUENWALD

**05-7453**  
4 X 10 mm  
SPURLING

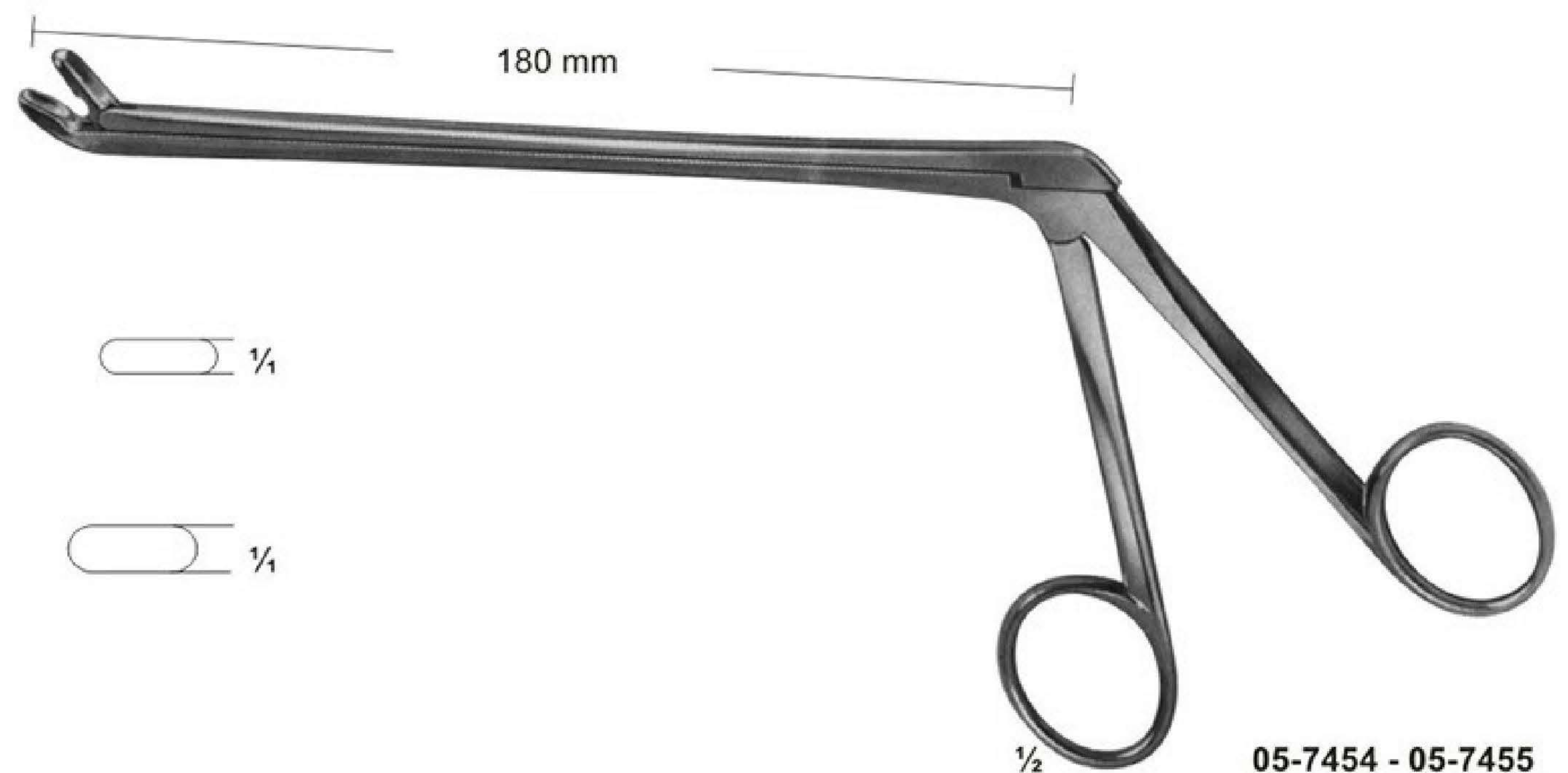


**05-7451 - 05-7453**

**150°**

**05-7454**  
3 X 10 mm  
LOVE-GRUENWALD

**05-7455**  
4 X 10 mm  
SPURLING



**05-7454 - 05-7455**

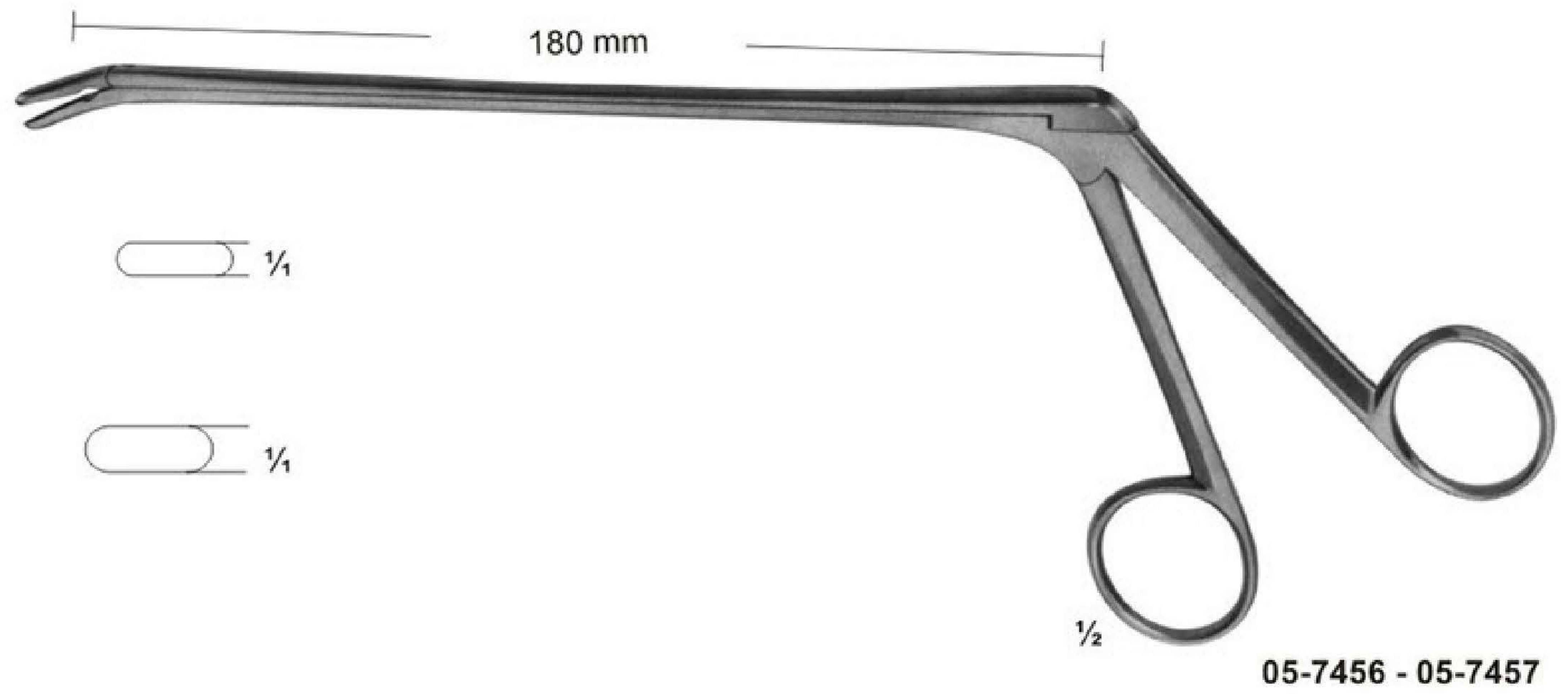
# Rongeurs

**150°**

Upper part of jaw  
movable

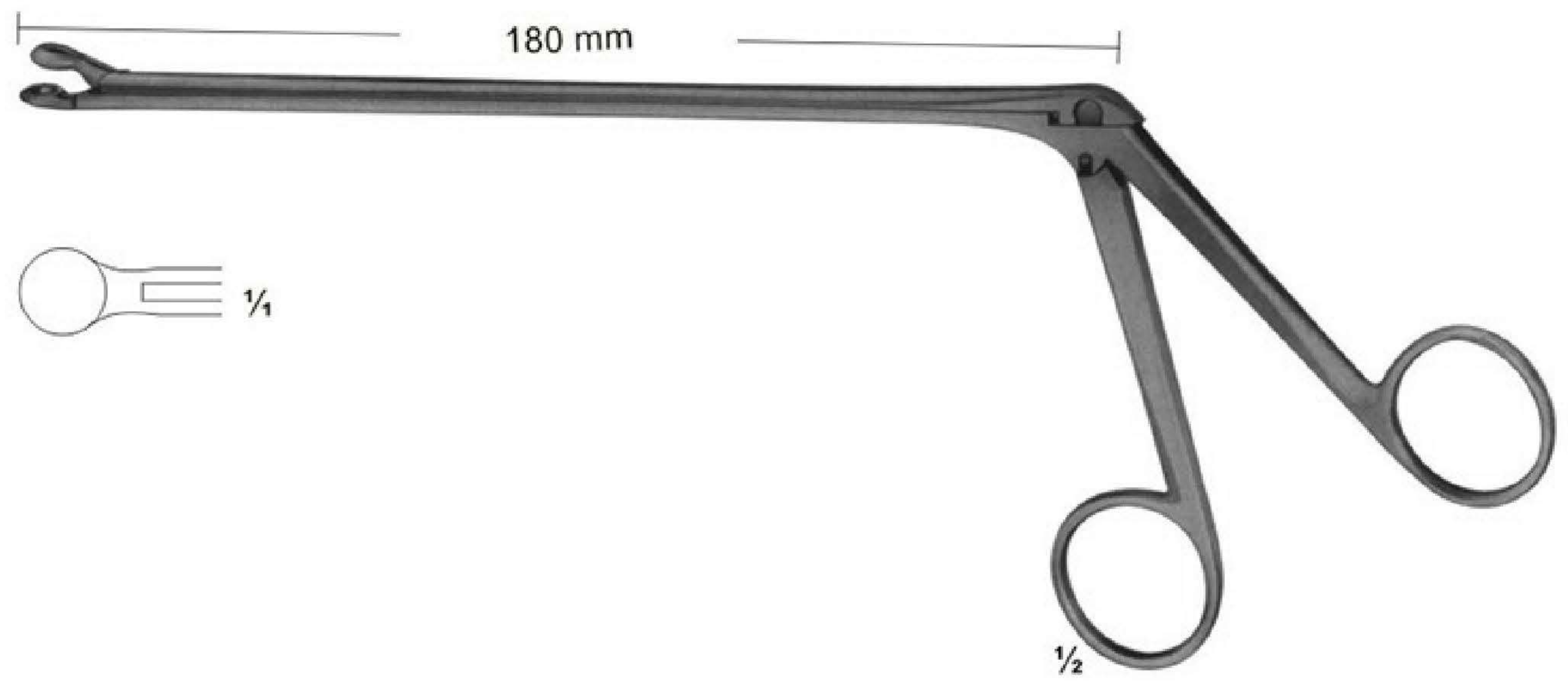
**05-7456**  
3 X 10 mm  
LOVE-GRUENWALD

**05-7457**  
4 X 10 mm  
SPURLING



05-7456 - 05-7457

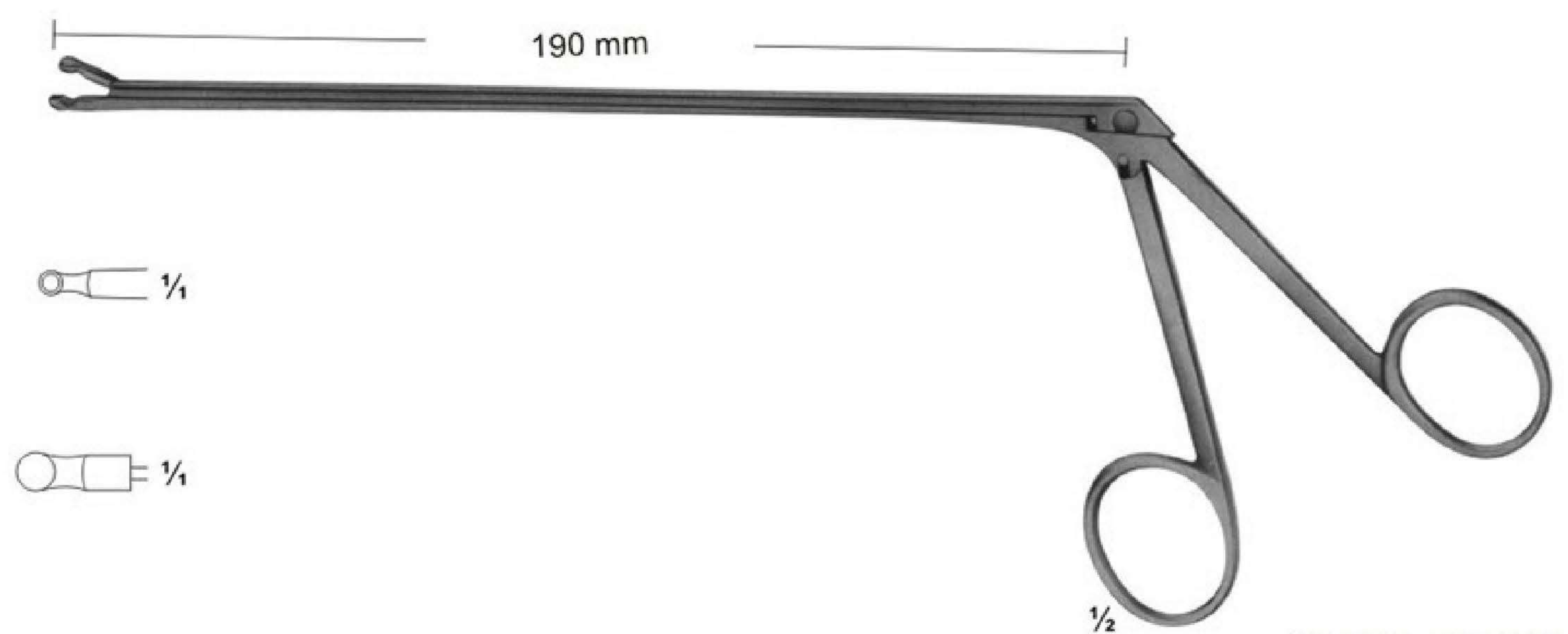
**05-7458**  
Ø 7 mm



05-7458  
OLDBERG

**05-7459**  
YASARGIL  
Ø 2,2 mm

**05-7460**  
YASARGIL  
Ø 3,5 mm



05-7459 - 05-7460



**Rongeurs**

