

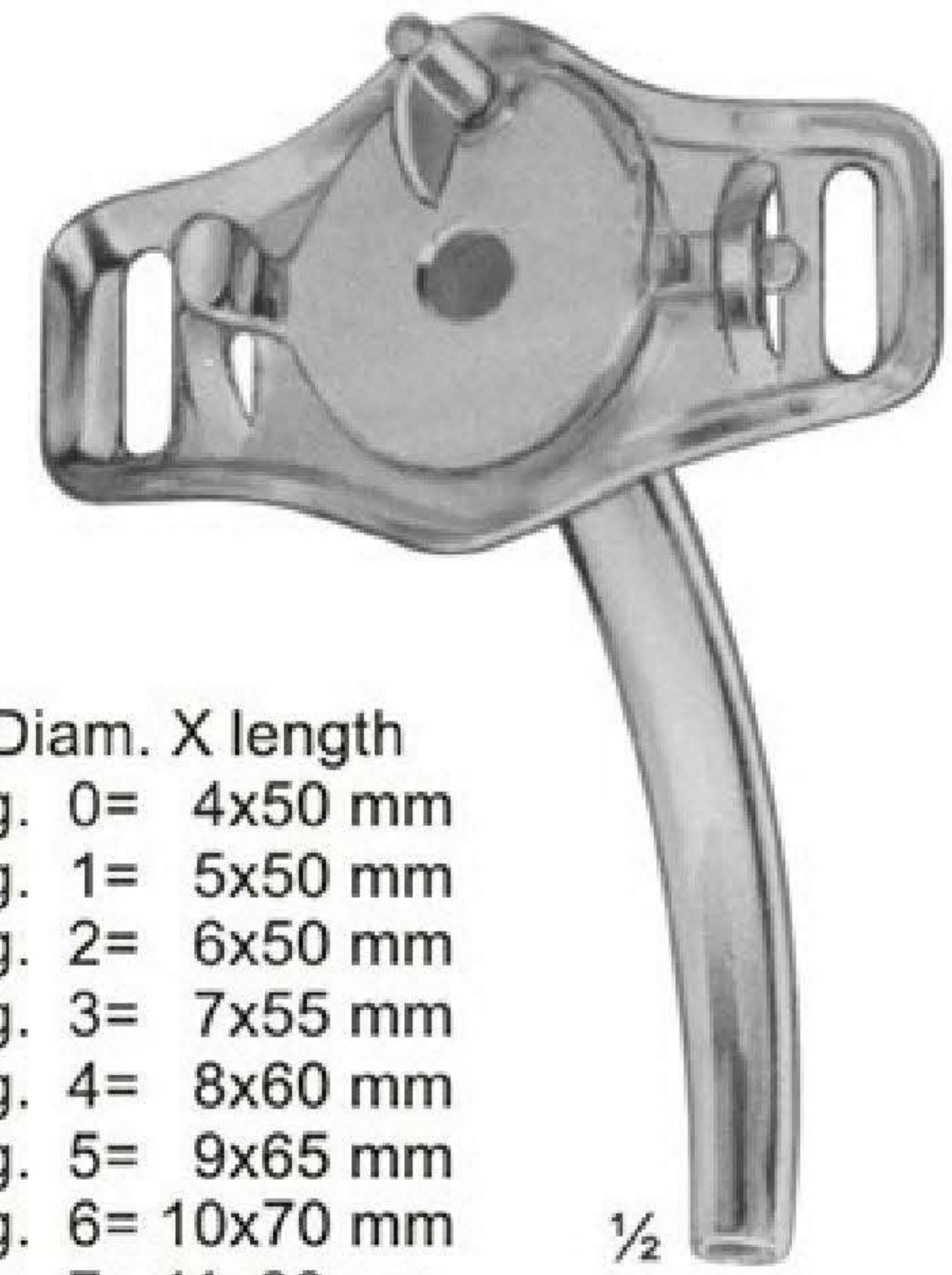
# Tracheal Tubes with inner tubes

Fig.	0	1	2	3	4	5	6	7	8	9	10
$\varnothing$ mm	4	5	6	7	8	9	10	11	12	13	14
Charr./Fr.	12	15	18	21	24	27	30	33	36	39	42



1/2

**05-7001**  
UECKERMANN-DENKER  
Cryothyrotomy trocar  
with silver cannula  
130mm



1/2

Diam. X length  
**05-7002** Fig. 0= 4x50 mm  
**05-7003** Fig. 1= 5x50 mm  
**05-7004** Fig. 2= 6x50 mm  
**05-7005** Fig. 3= 7x55 mm  
**05-7006** Fig. 4= 8x60 mm  
**05-7007** Fig. 5= 9x65 mm  
**05-7008** Fig. 6= 10x70 mm  
**05-7009** Fig. 7= 11x80 mm  
**05-7010** Fig. 8= 12x85 mm  
**05-7011** Fig. 9= 13x90 mm  
**05-7012** Fig. 10=14x90 mm

**05-7002 - 05-7012**  
LUER  
German silver



1/2

**05-7013 - 05-7022**  
JACKSON  
German Silver

Diam. X length  
**05-7013** Fig. 0= 4x50 mm  
**05-7014** Fig. 1= 5x48 mm  
**05-7015** Fig. 2= 6x58 mm  
**05-7016** Fig. 3= 7x70 mm  
**05-7017** Fig. 4= 8x78 mm  
**05-7018** Fig. 5= 9x84 mm  
**05-7019** Fig. 6= 10x84 mm  
**05-7020** Fig. 7= 11x86 mm  
**05-7021** Fig. 8= 12x88 mm  
**05-7022** Fig. 9= 13x90 mm

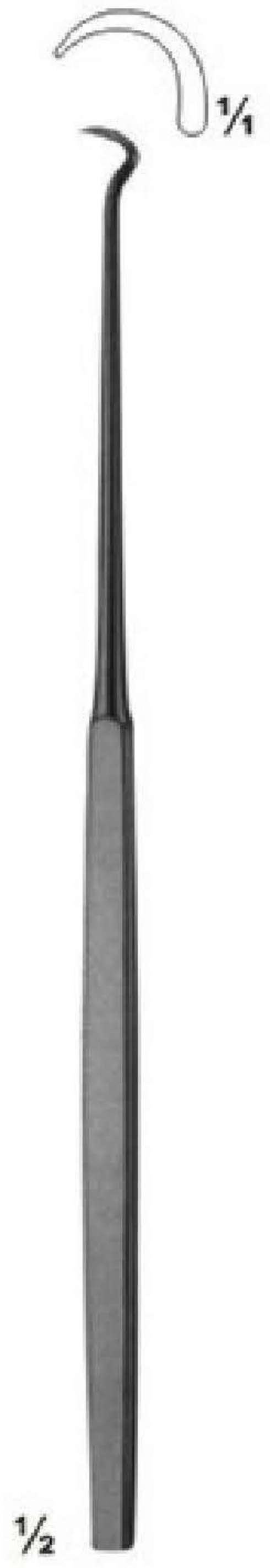


1/2

Diam. X length **05-7023 - 05-7032**  
**05-7023** Fig. 1= 5x48 mm JACKSON  
**05-7024** Fig. 2= 6x58 mm Stainless Steel  
**05-7025** Fig. 3= 7x70 mm  
**05-7026** Fig. 4= 8x78 mm  
**05-7027** Fig. 5= 9x84 mm  
**05-7028** Fig. 6= 10x84 mm  
**05-7029** Fig. 7= 11x86 mm  
**05-7030** Fig. 8= 12x88 mm  
**05-7031** Fig. 9= 13x90 mm  
**05-7032** Fig.10= 14x90 mm



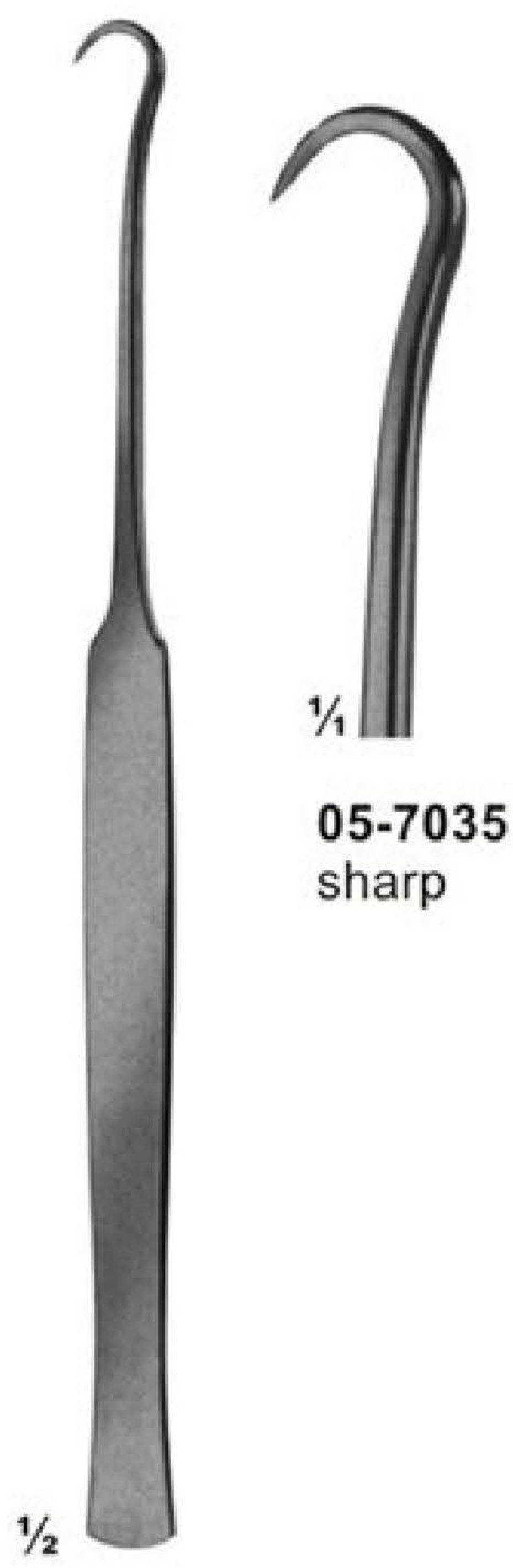
# Wound-and Tracheal Hooks and Dilators



**05-7033**  
BOSE  
165 mm



**05-7034**  
BOSE  
165 mm



**05-7035 - 05-7037**  
180 mm



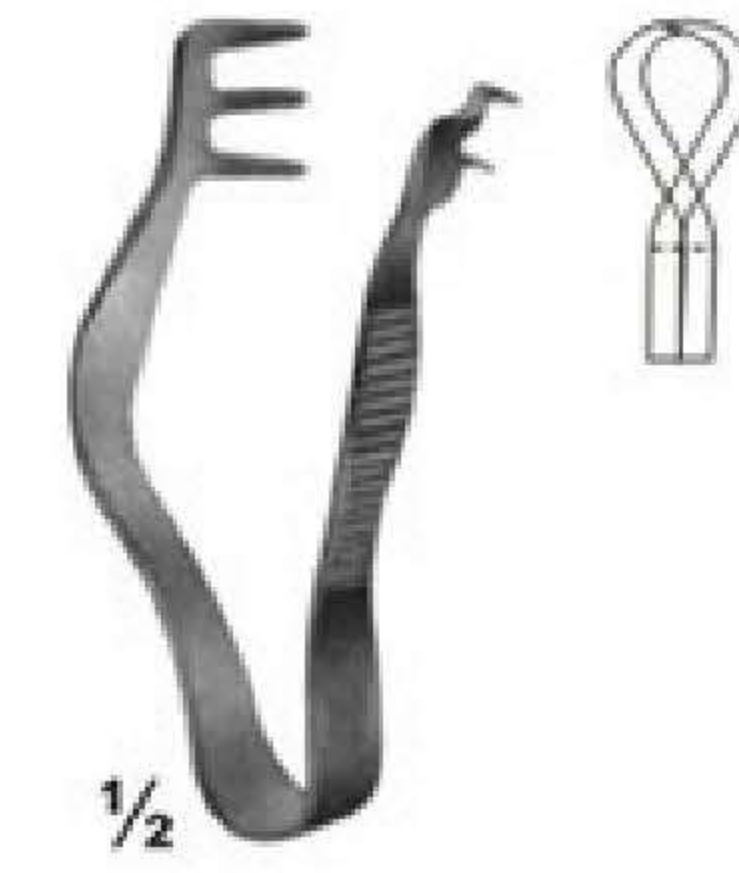
**05-7035**  
sharp



**05-7036**  
blunt



**05-7037**  
blunt



**05-7038**  
FINSEN  
50 mm



**05-7039**  
FINSEN  
70 mm



**05-7040**  
TROUSSEAU  
120 mm



**05-7041**  
LABORDE  
125 mm



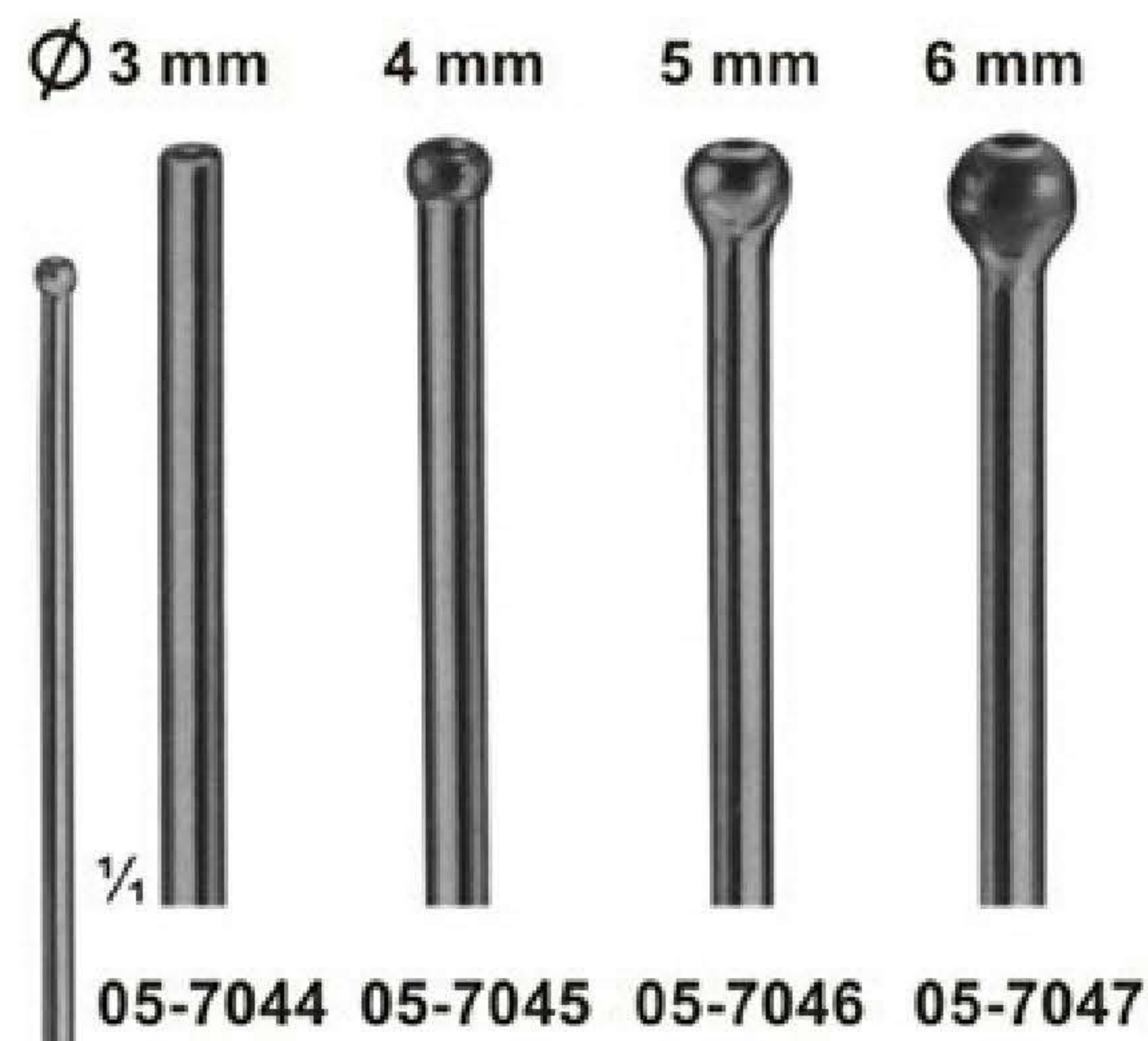
**05-7042**  
LABORDE  
strong pattern  
135 mm



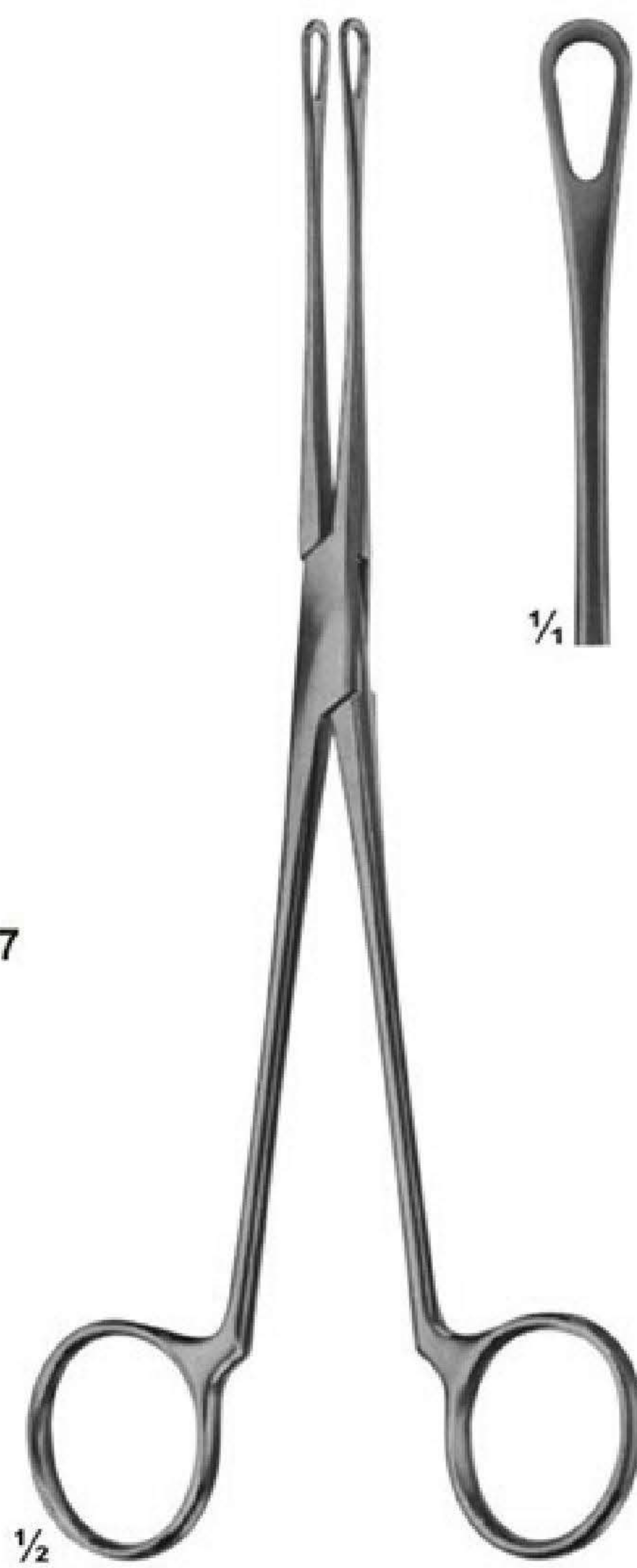
**05-7043**  
Cleaning Brush  
for tracheal tubes  
285 mm



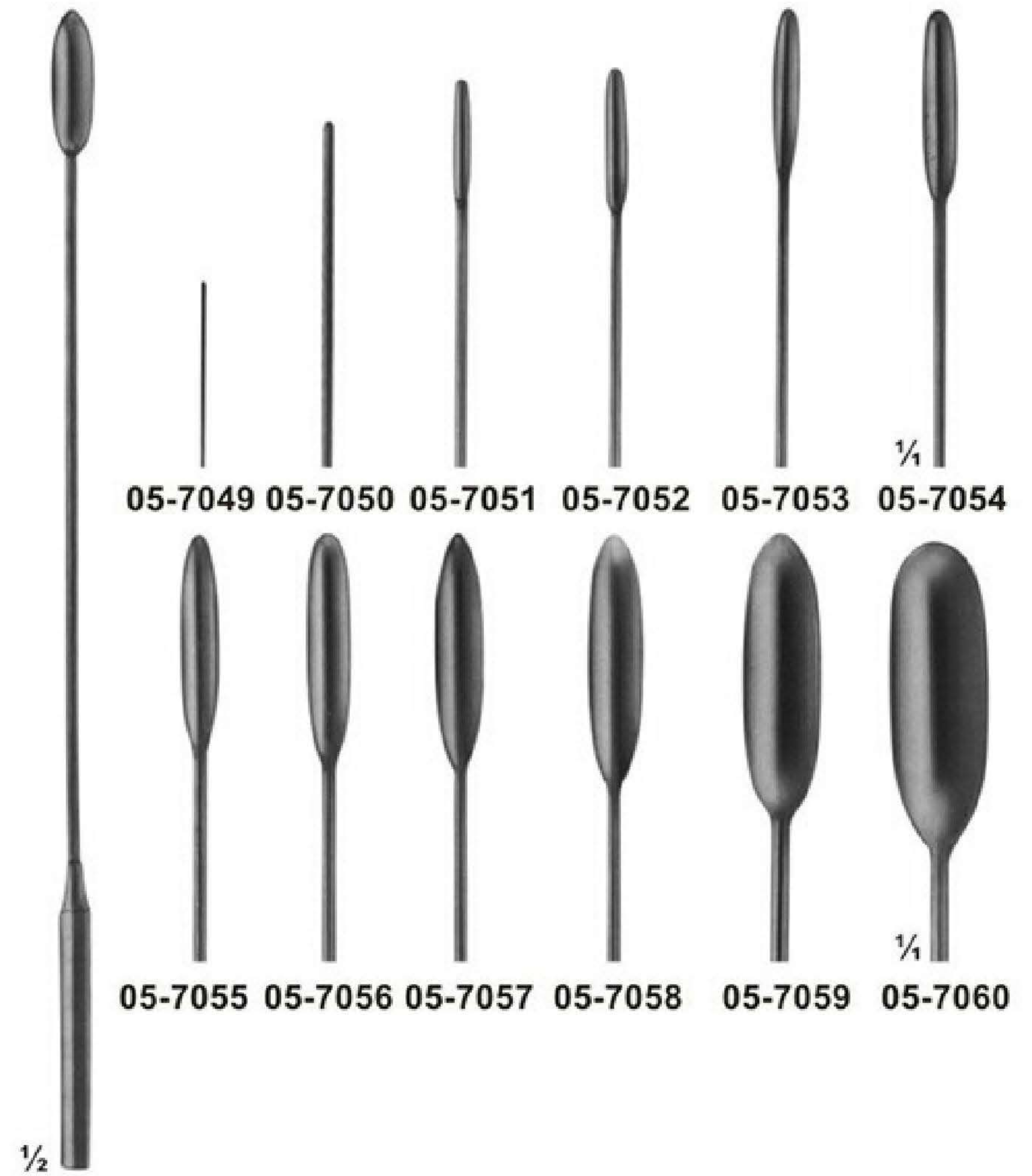
# Irrigating Cannulae, Embolus Grasping Forceps, Dilators



**05-7044 - 05-7047**  
SCHMID  
Vessel irrigating cannulae,  
malleable, silver plated  
150 mm



**05-7048**  
BLAKE  
Embolus grasping  
forceps  
205 mm

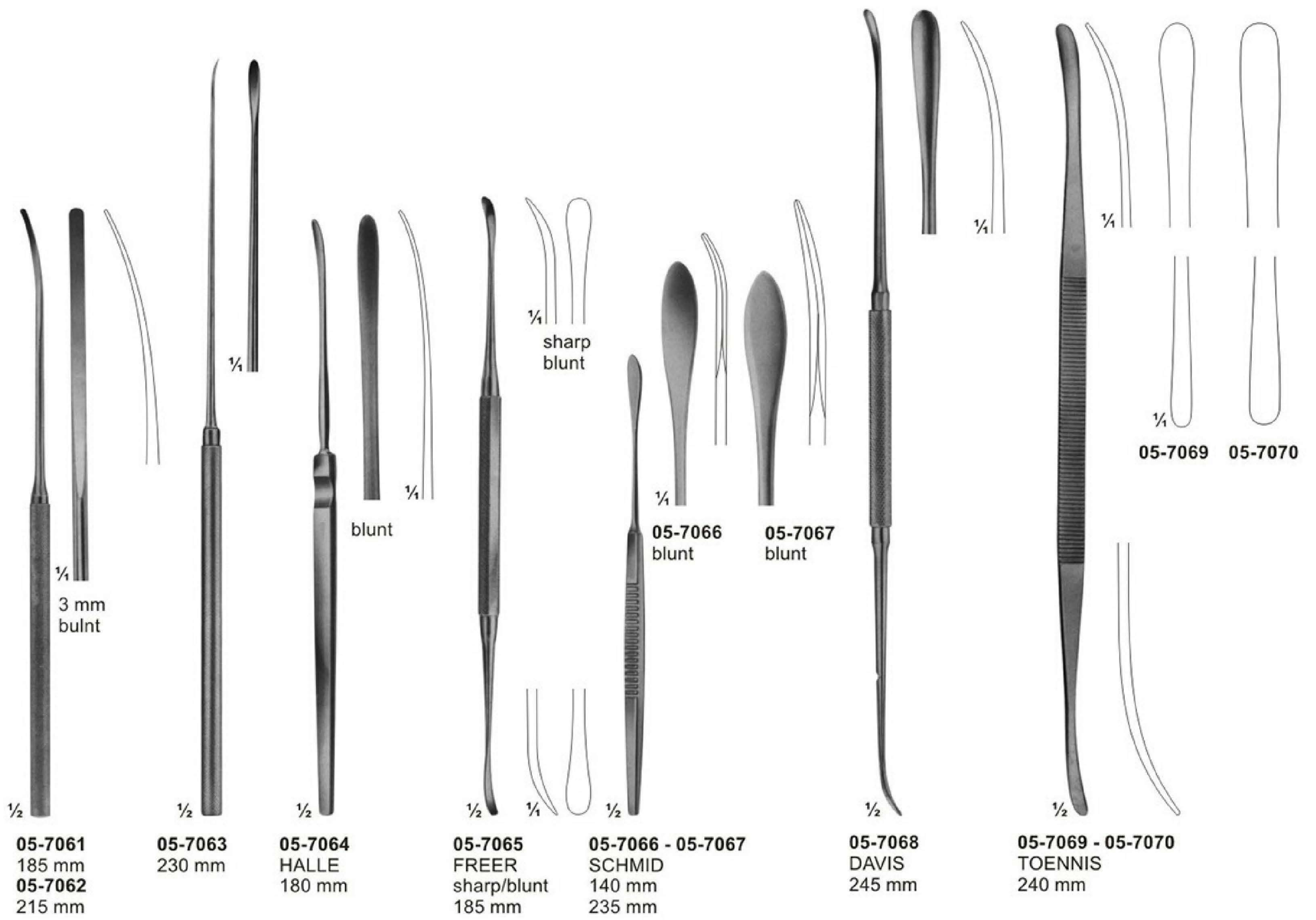


**05-7049 - 05-7060**  
DE BAKEY  
Vascular dilators,  
malleable  
190 mm

<b>05-7049</b> 0,5 mm Ø	<b>05-7055</b> 3,5 mm Ø
<b>05-7050</b> 1,0 mm Ø	<b>05-7056</b> 4,0 mm Ø
<b>05-7051</b> 1,5 mm Ø	<b>05-7057</b> 4,5 mm Ø
<b>05-7052</b> 2,0 mm Ø	<b>05-7058</b> 5,0 mm Ø
<b>05-7053</b> 2,5 mm Ø	<b>05-7059</b> 7,0 mm Ø
<b>05-7054</b> 3,0 mm Ø	<b>05-7060</b> 9,0 mm Ø



# Vascular Spatulas



$\frac{1}{2}$   
**05-7061**  
 185 mm  
**05-7062**  
 215 mm

$\frac{1}{2}$   
**05-7063**  
 230 mm

$\frac{1}{2}$   
**05-7064**  
 HALLE  
 180 mm

$\frac{1}{2}$   
**05-7065**  
 FREER  
 sharp/blunt  
 185 mm

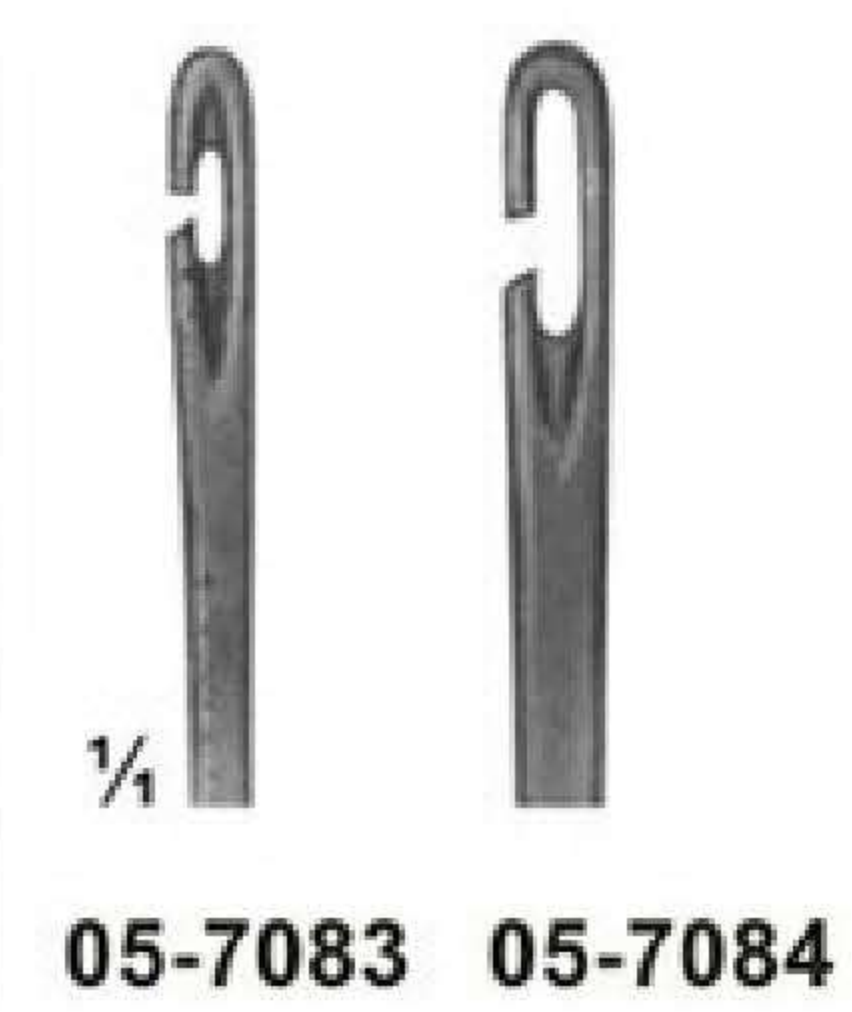
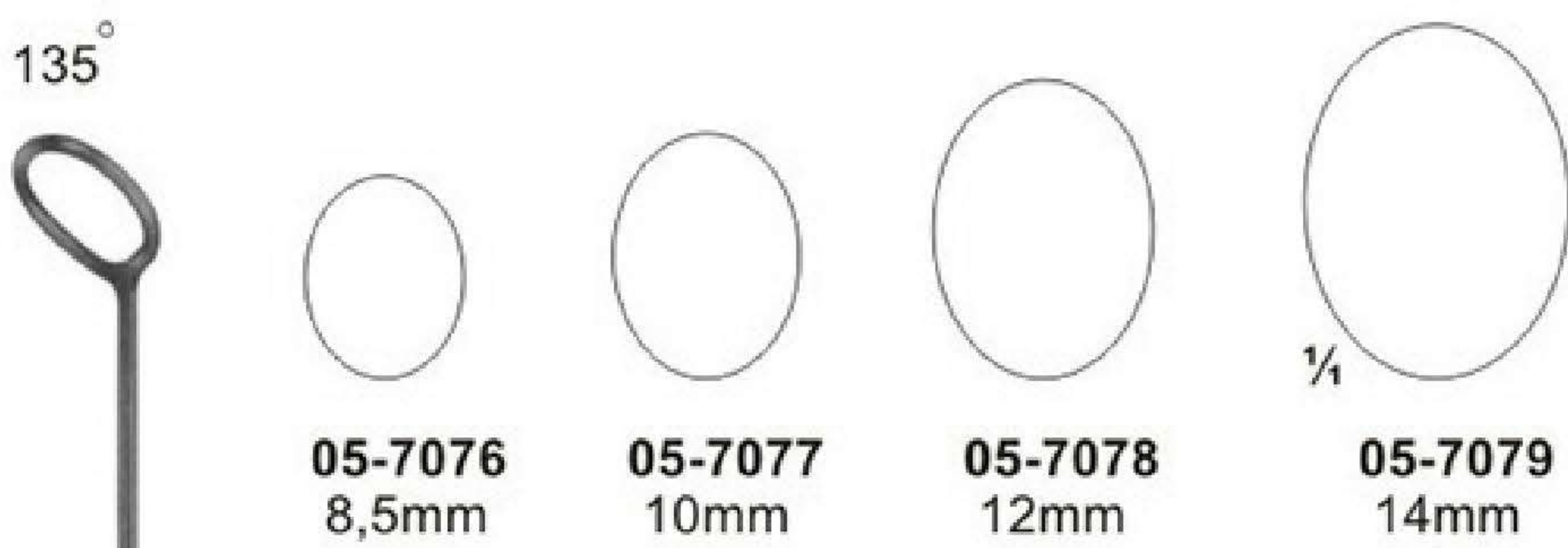
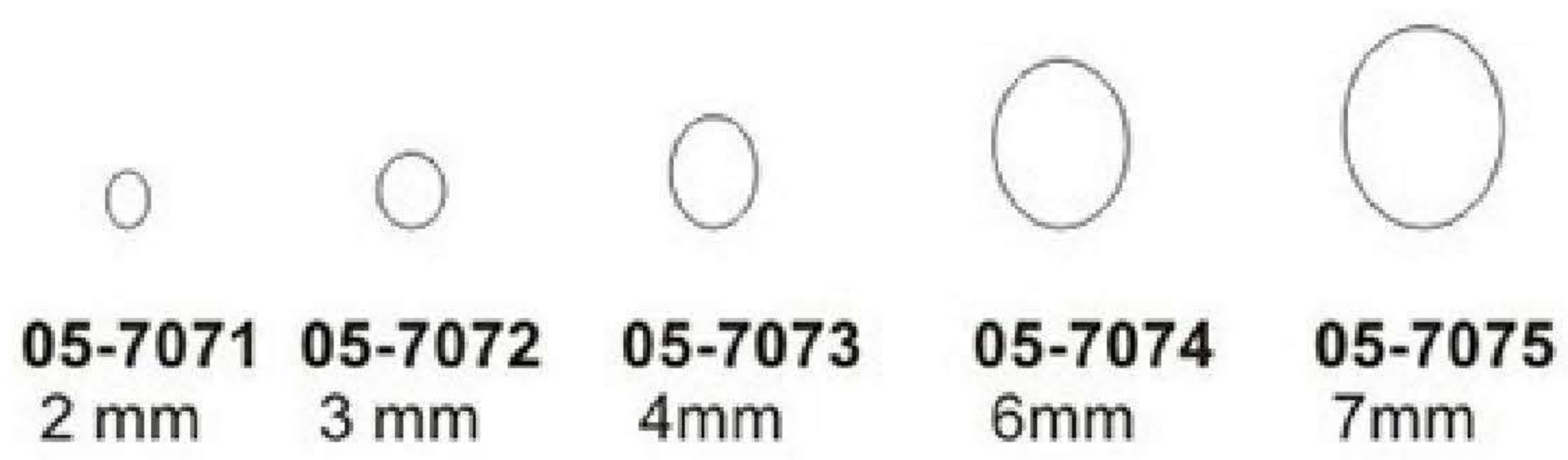
$\frac{1}{2}$   
**05-7066 - 05-7067**  
 SCHMID  
 140 mm  
 235 mm

$\frac{1}{2}$   
**05-7068**  
 DAVIS  
 245 mm

$\frac{1}{2}$   
**05-7069 - 05-7070**  
 TOENNIS  
 240 mm

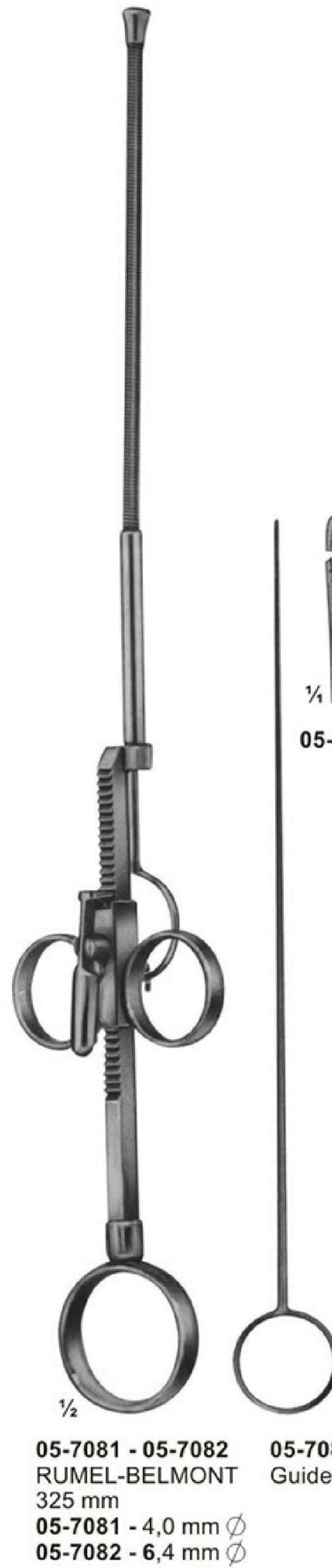


# Endarterectomy Strippers, Tourniquets



1/2  
05-7071 - 05-7079  
Endarterectomy strippers  
550 mm

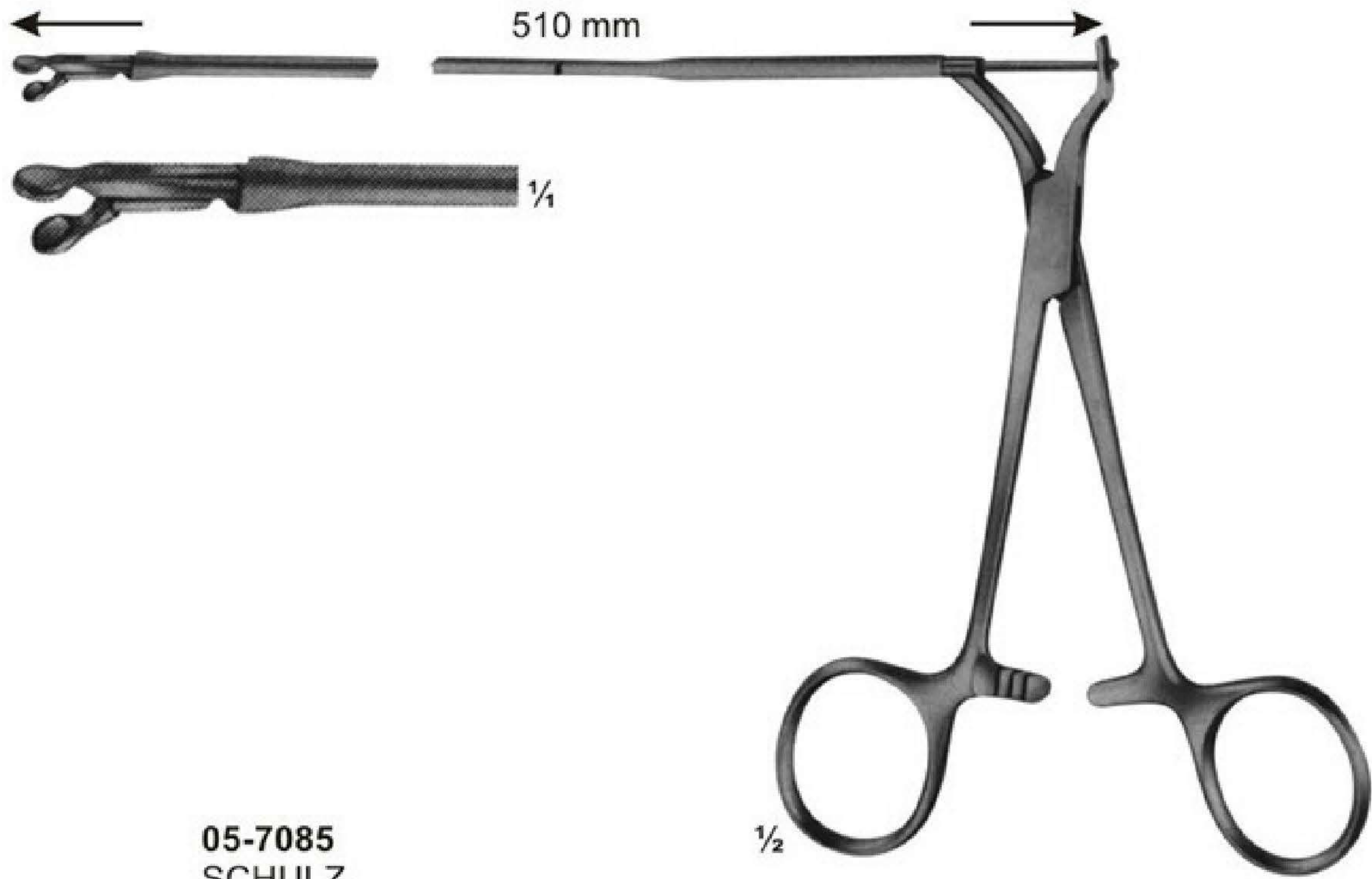
1/2  
05-7080  
Handle for  
110 mm



05-7083 - 05-7084  
Guide only

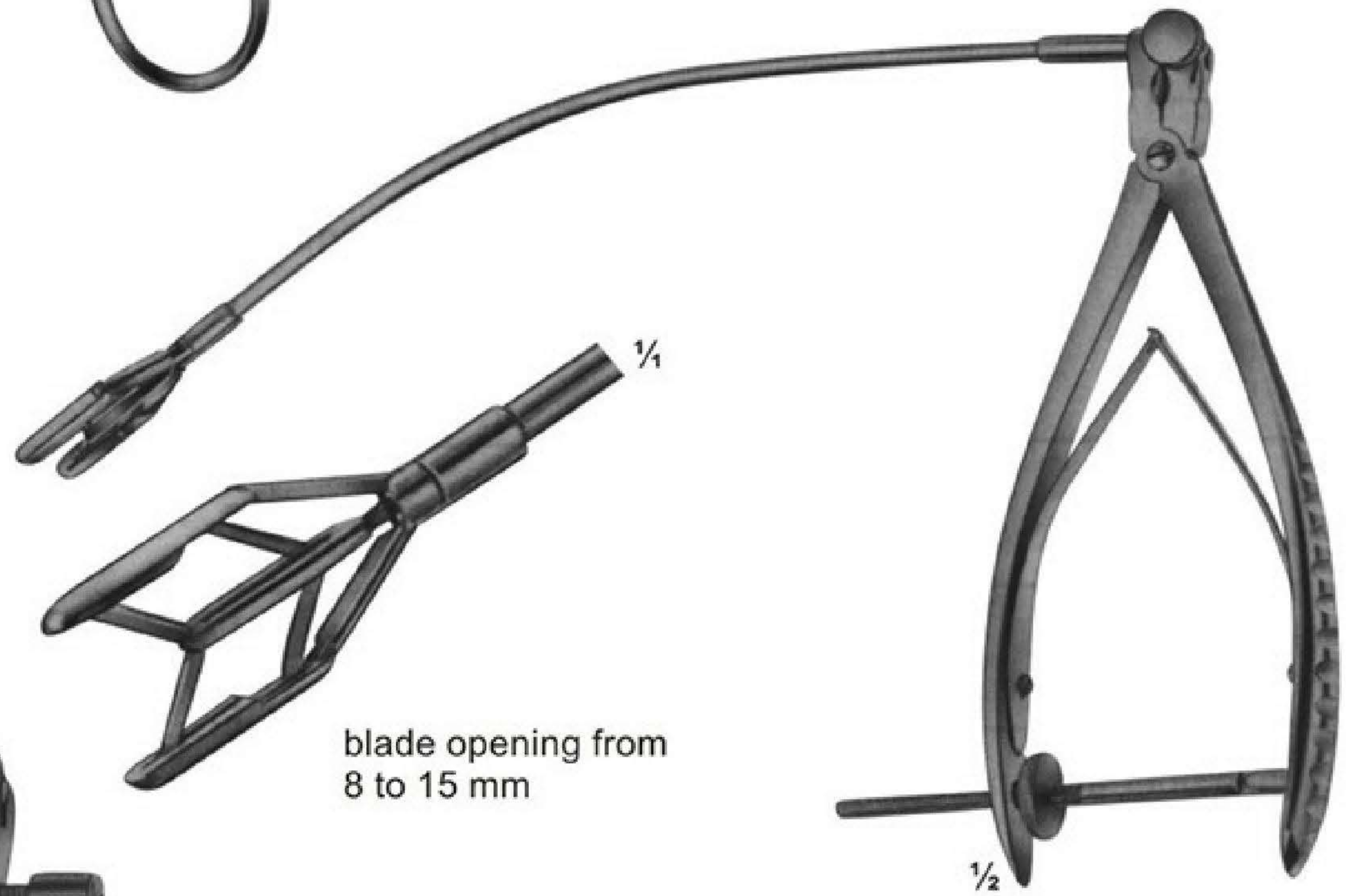


# Bioptome and Aortic Dilators

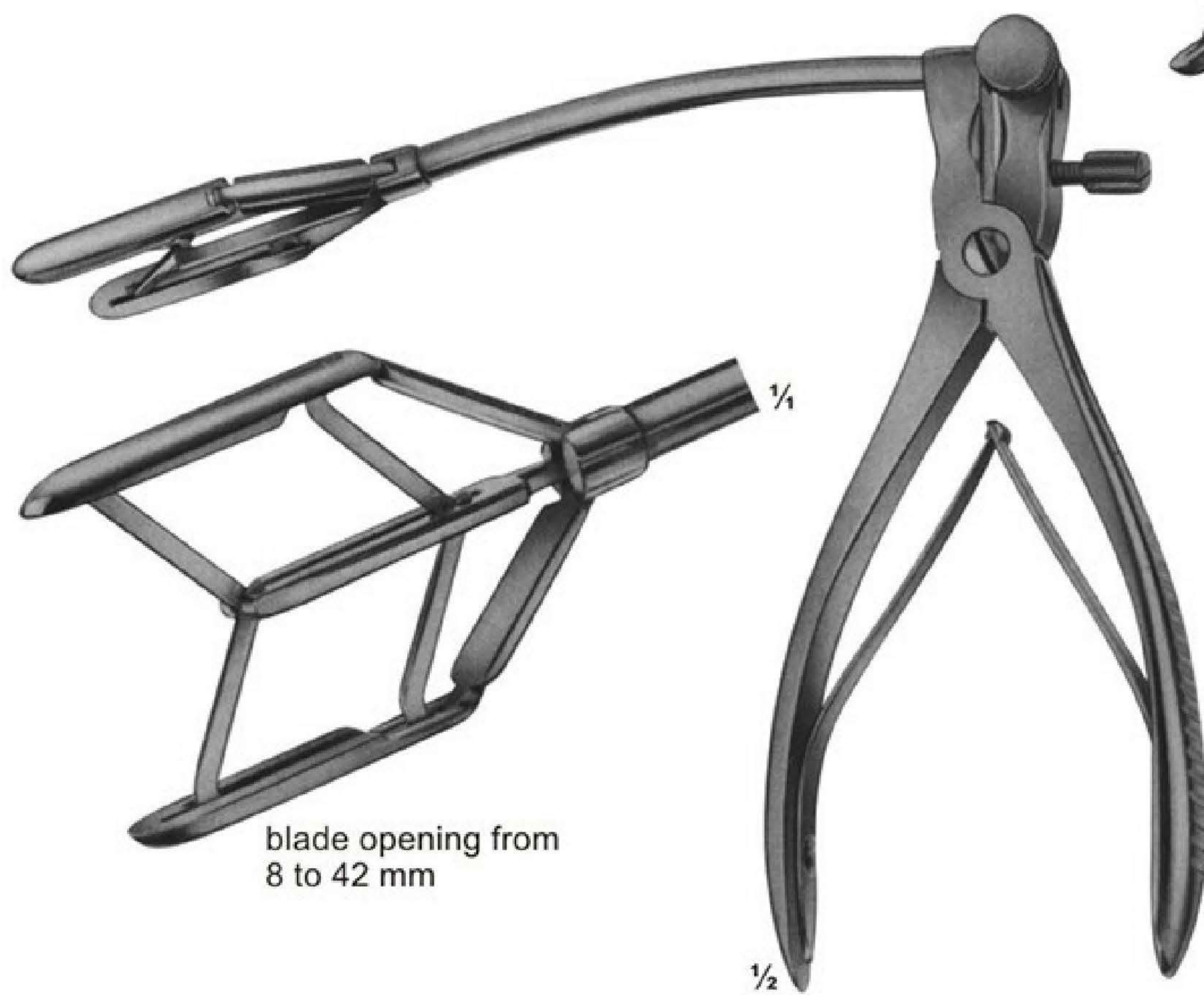


**05-7085  
 SCHULZ**  
 Bioptome, with flexible Shaft, 510 mm long,  
 with round jaws 3 mm diam.

Biopsy forceps, for biopsy from the right atrium  
 through cava jugularis, prior to heart implantations.



**05-7087  
 COOLEY**  
 Dilator for  
 mitral valve  
 for children



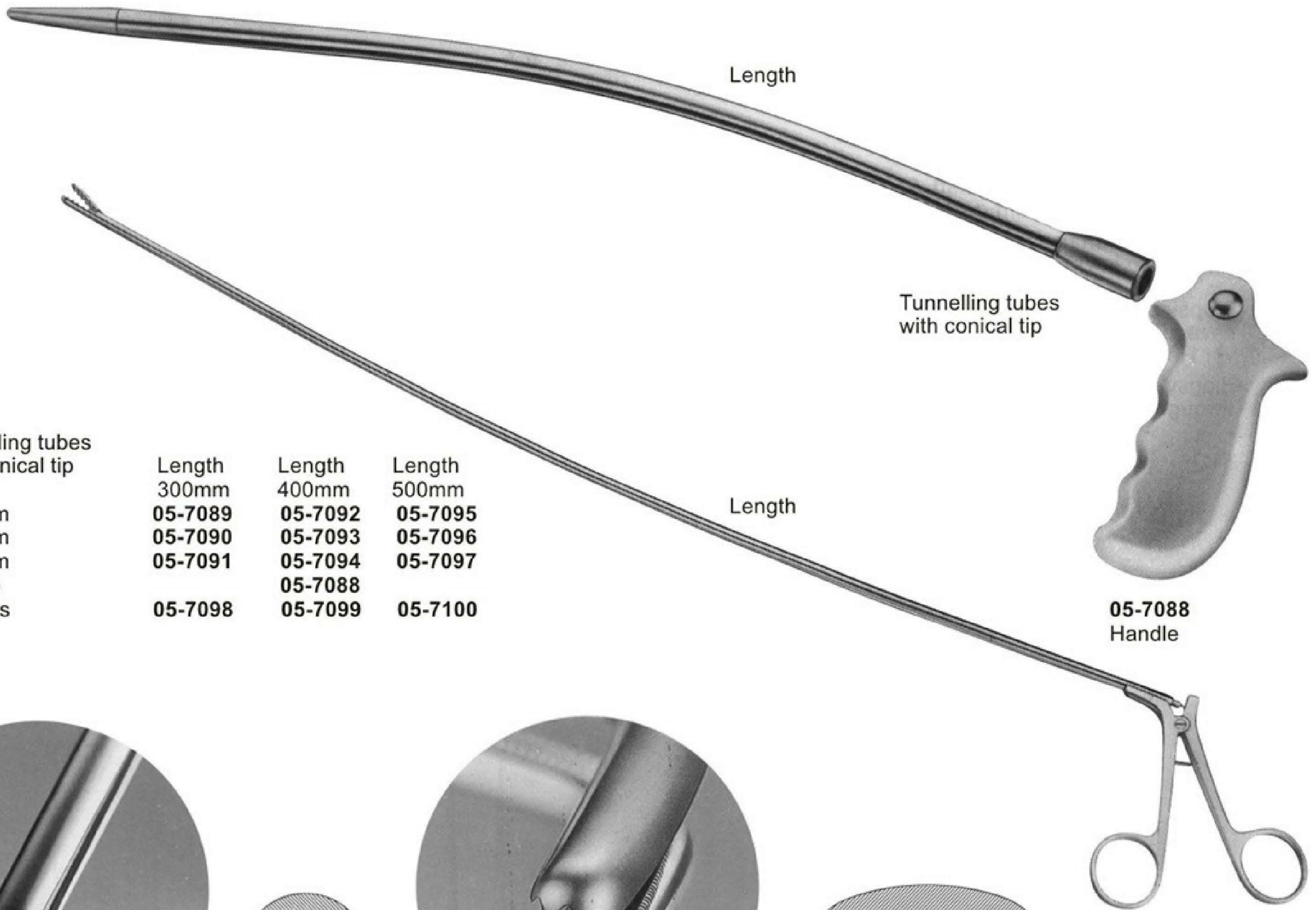
blade opening from  
 8 to 42 mm

**05-7086  
 TUBBS**  
 Dilator for  
 mitral valve

blade opening from  
 8 to 15 mm



# JENKER Instrument Set For Tunnelling And Pulling-Through Vascular Grafts Toothings

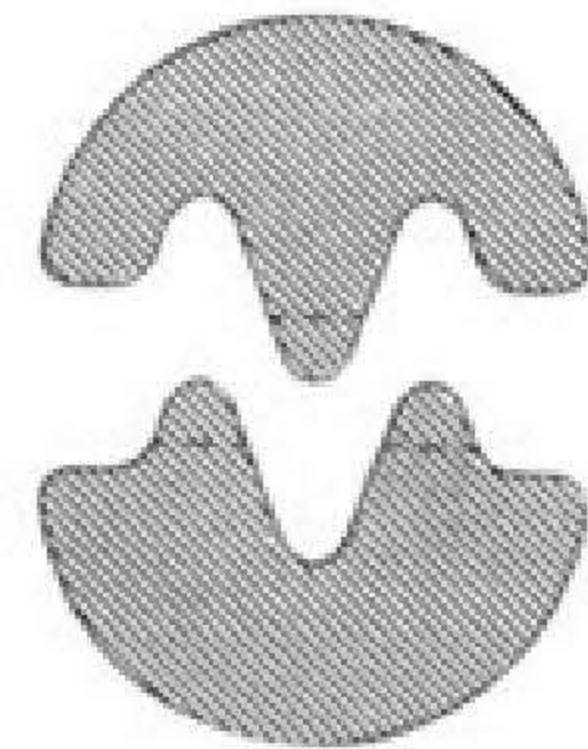
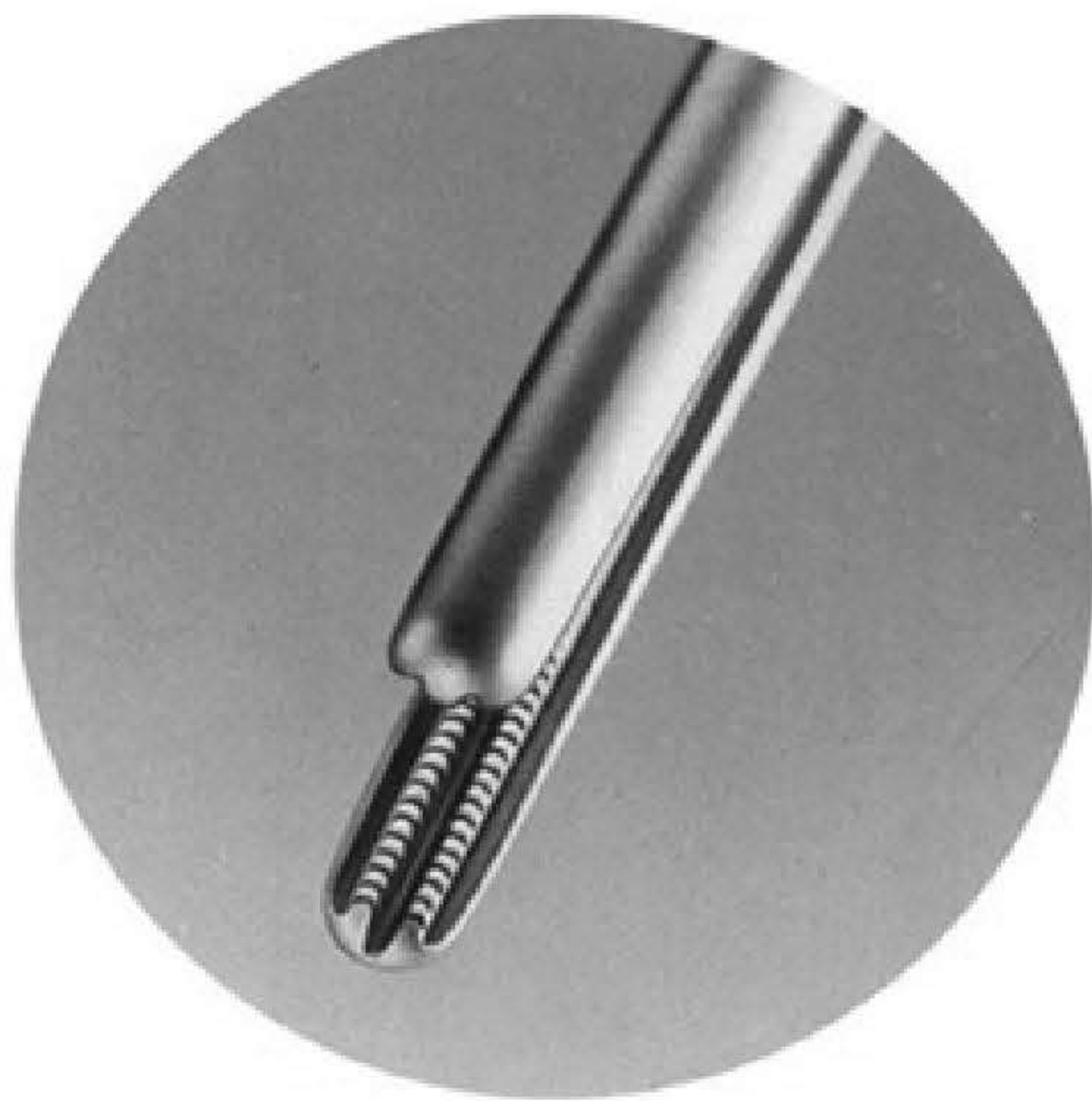


Tunnelling tubes with conical tip

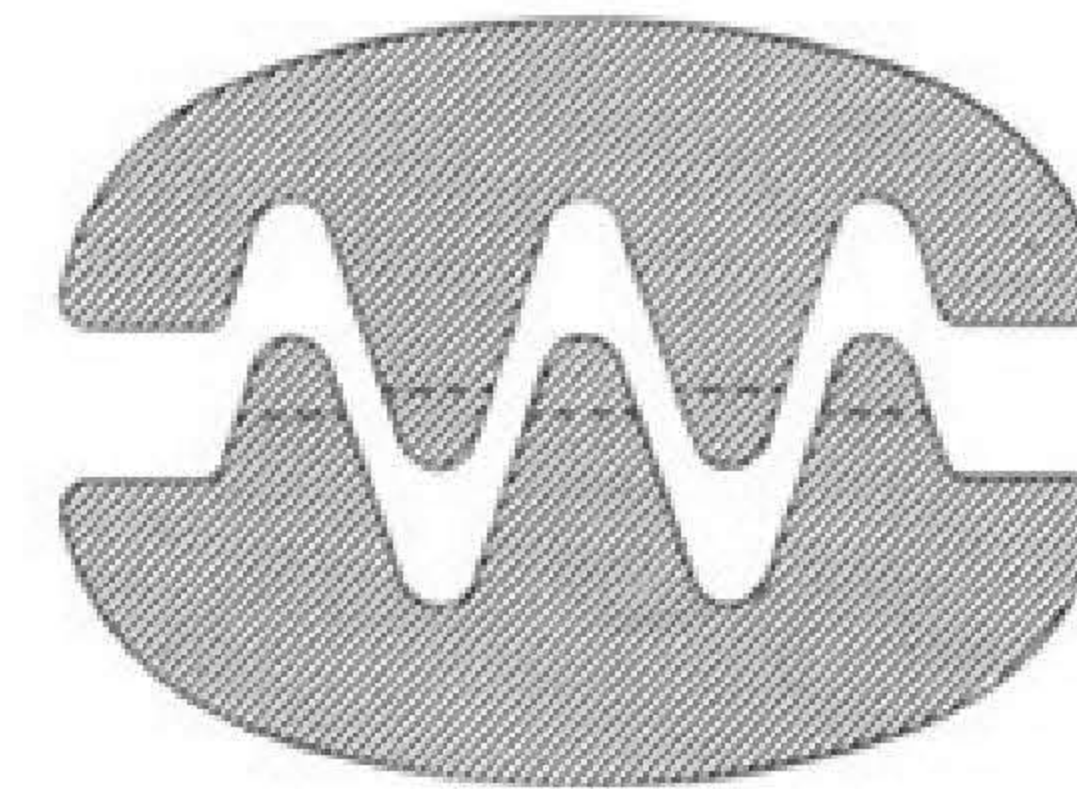
	Length 300mm	Length 400mm	Length 500mm
∅ 12mm	05-7089	05-7092	05-7095
∅ 14mm	05-7090	05-7093	05-7096
∅ 17mm	05-7091	05-7094	05-7097
Handle		05-7088	
Forceps	05-7098	05-7099	05-7100

05-7088  
Handle

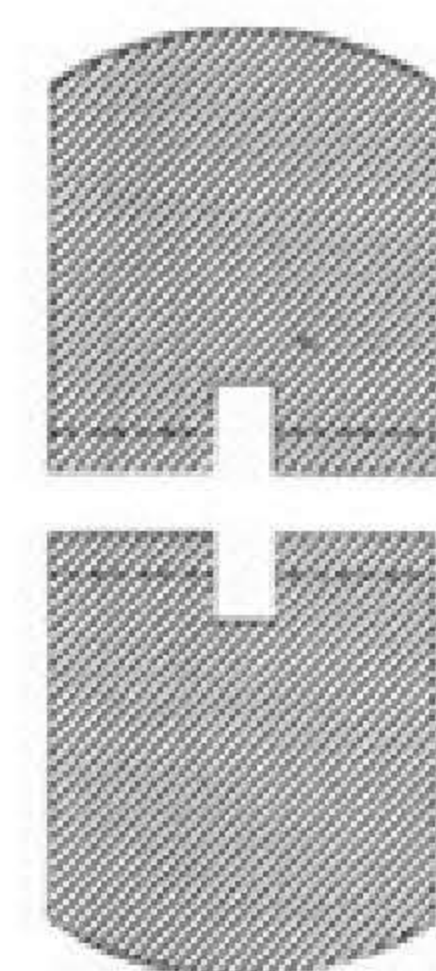
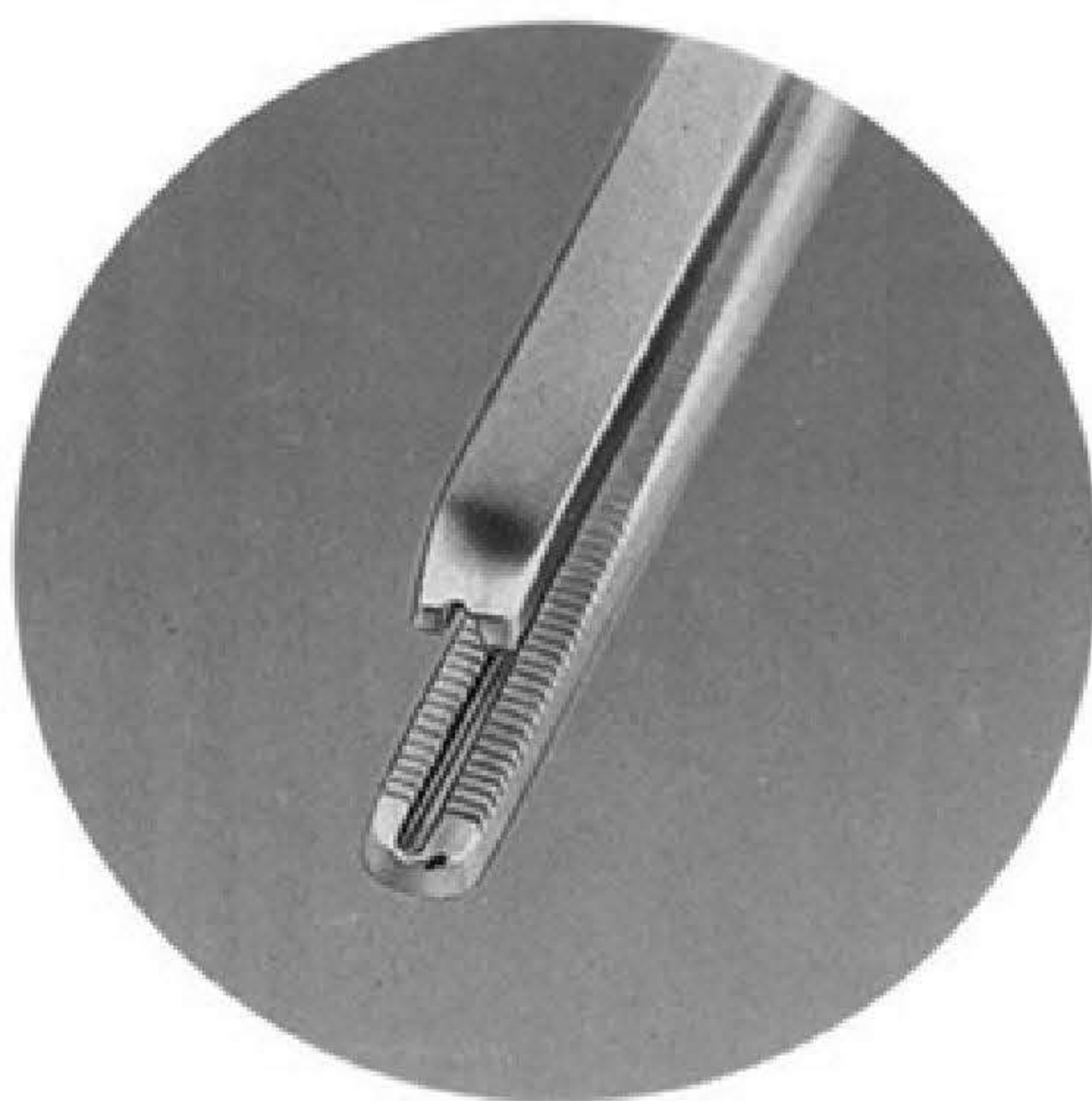
05-7098  
Forceps



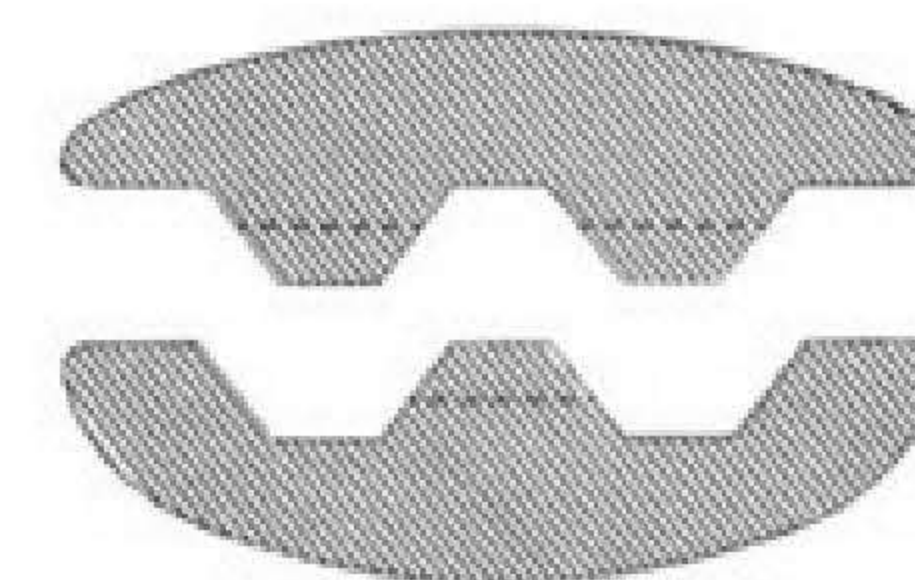
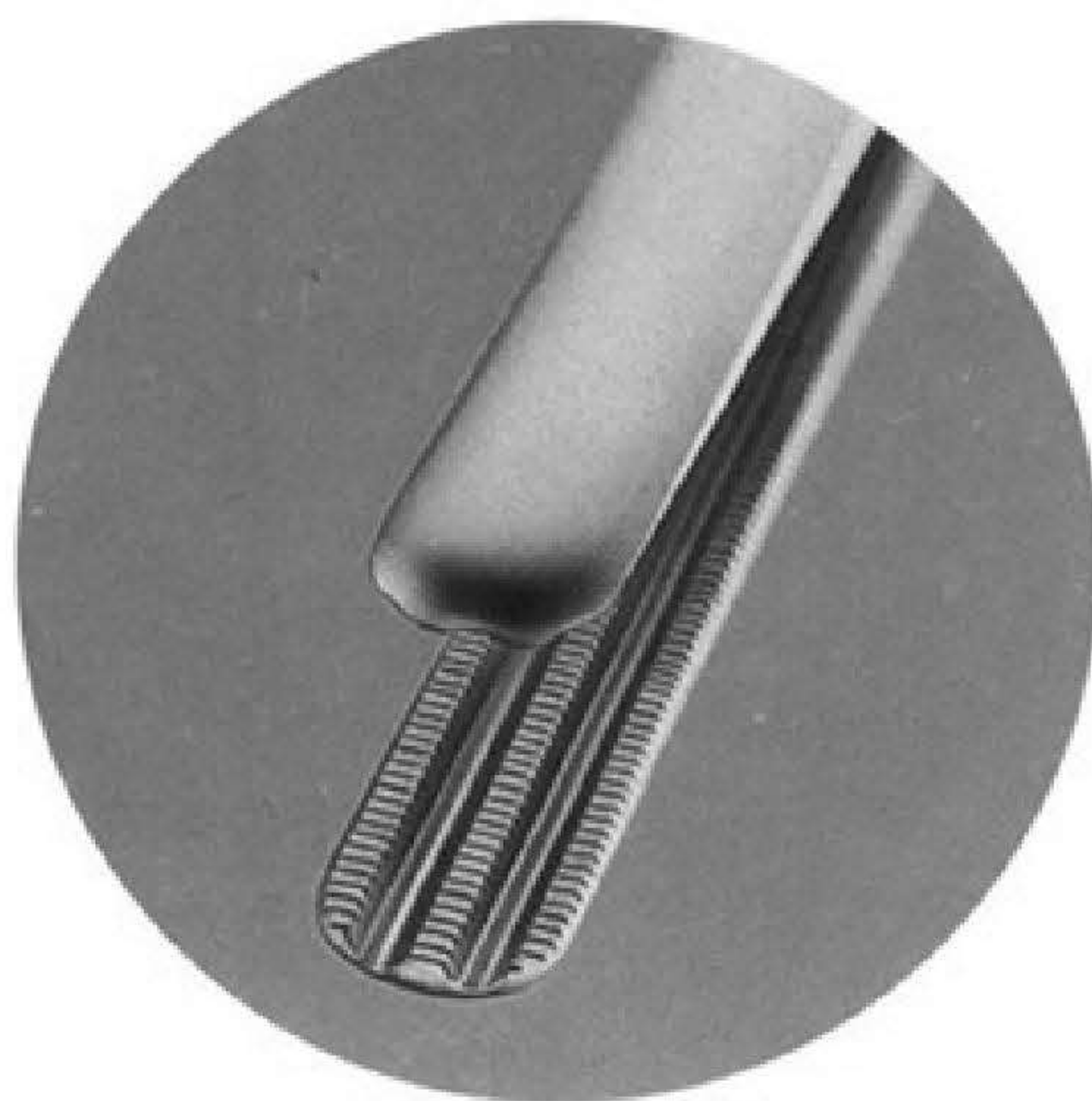
**DE BAKEY**  
05-7101  
1 : 2 rows of teeth



**DE BAKEY**  
05-7102  
2 : 3 rows of teeth



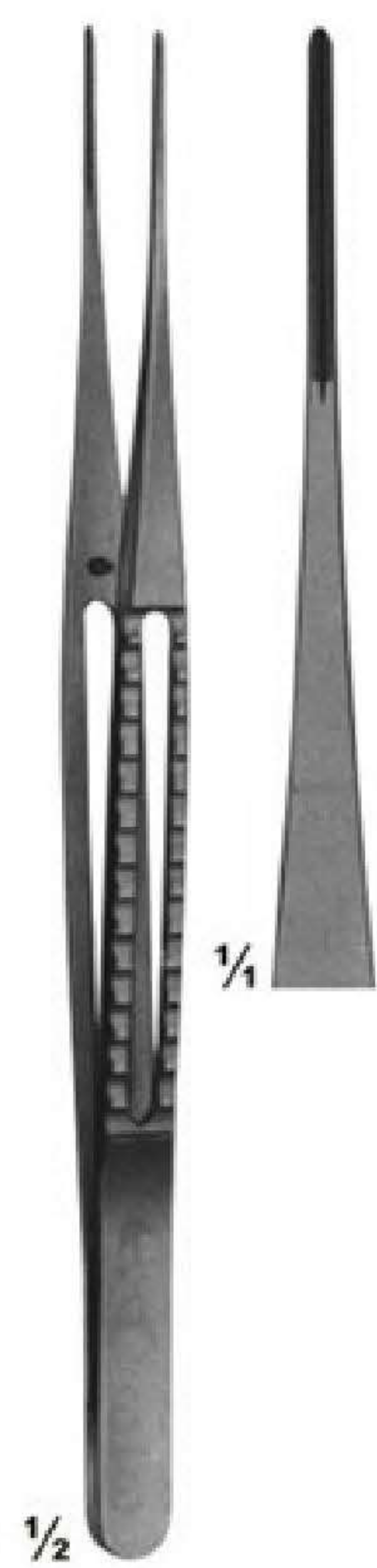
**COOLEY**  
05-7103  
2 : 2 rows of teeth



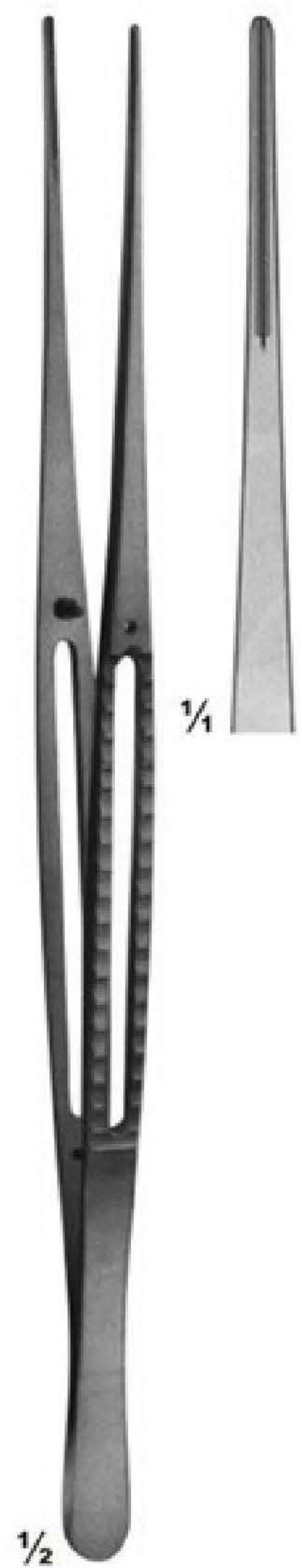
**DARDIK**  
05-7104  
2 : 3 rows of teeth



# Atraumata Ultra-Light-Forceps



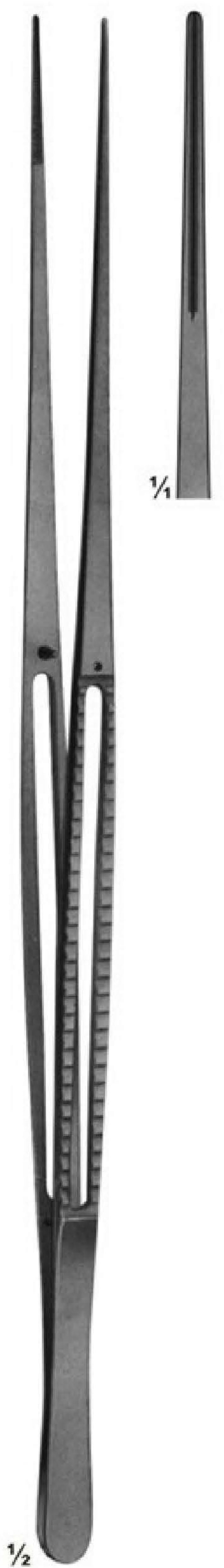
**05-7105**  
 Width of jaws 1.2 mm  
 Length 150mm



**05-7106**  
 Width 1,5 mm  
 Length 200 mm



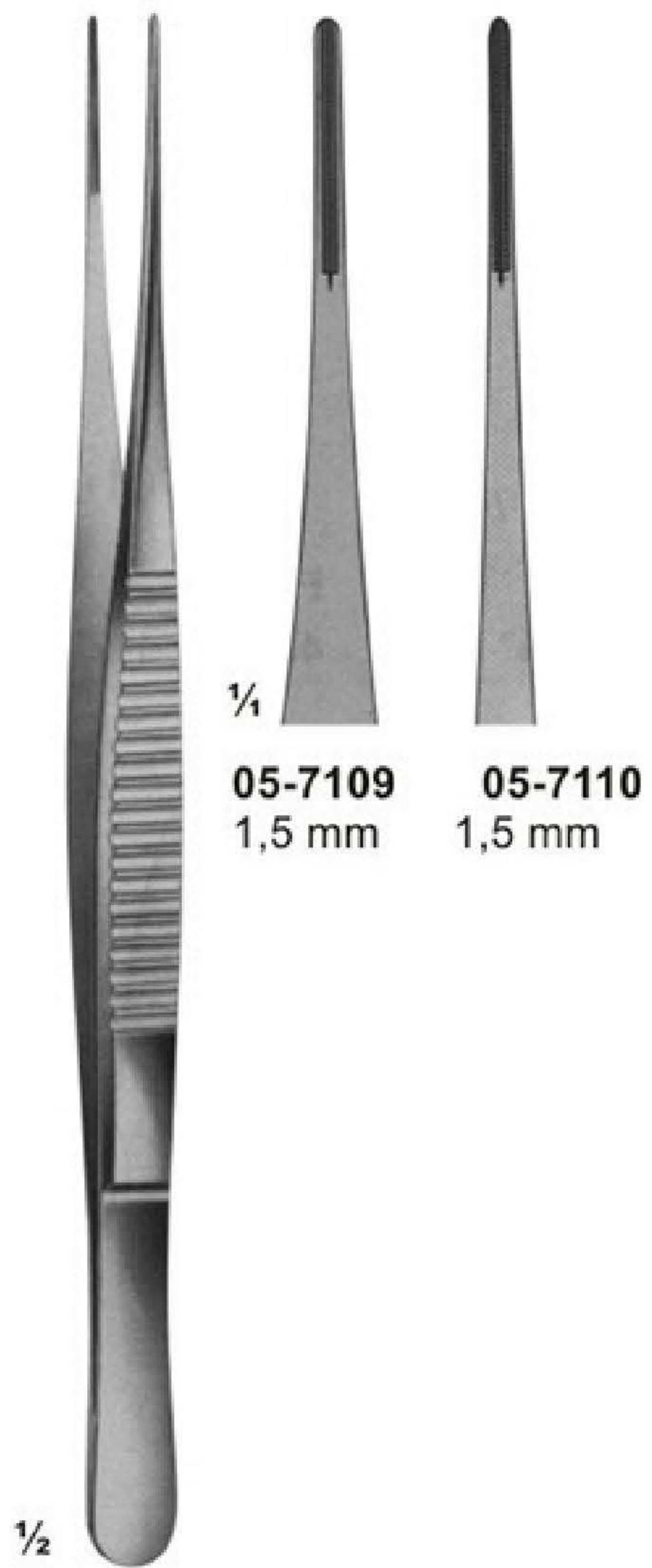
**05-7107**  
 Width 1,5 mm  
 Length 240 mm



**05-7108**  
 Width 1,5 mm  
 Length 300 mm



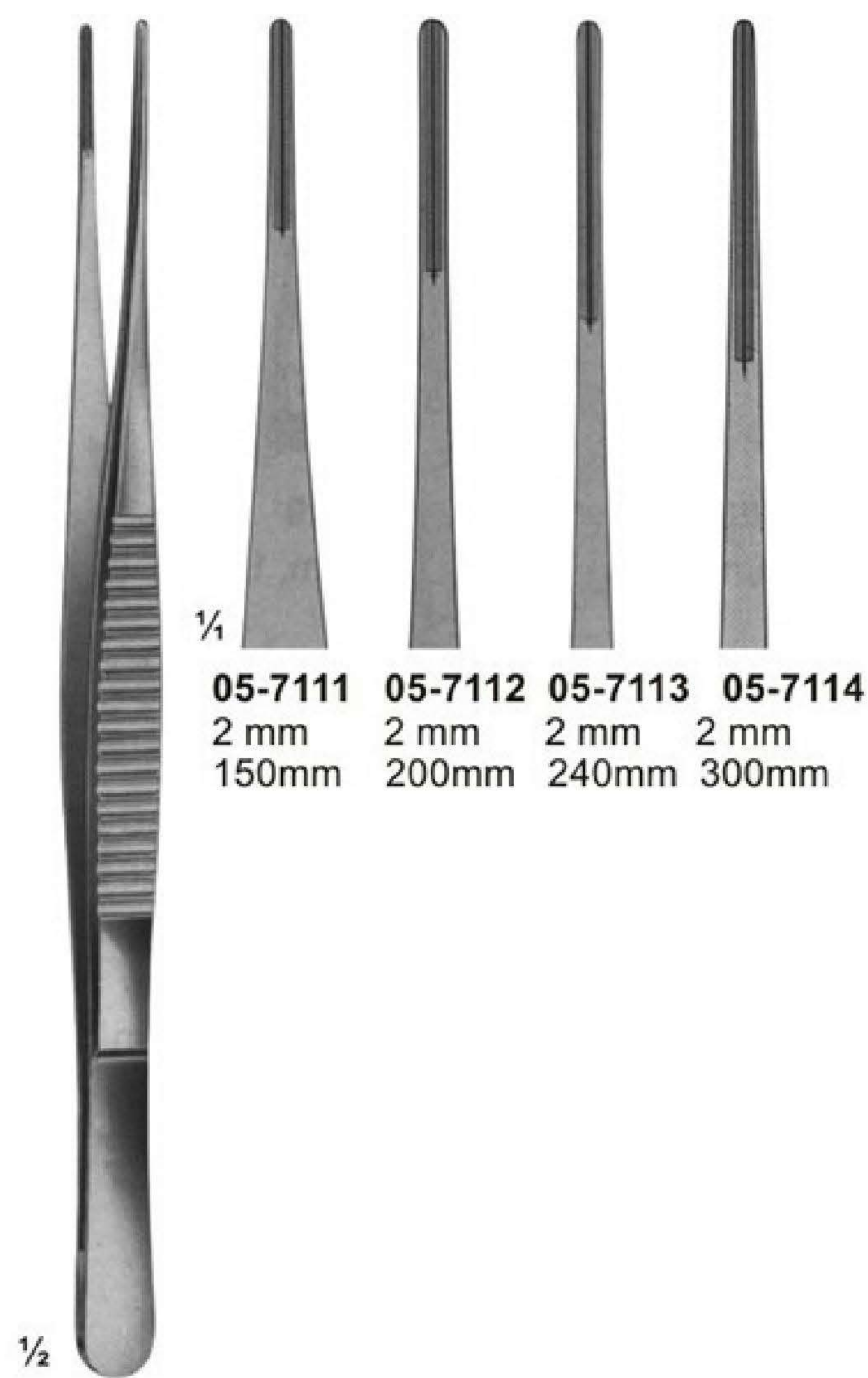
# Atraumata Dissecting Forceps



**05-7109**  
1,5 mm

**05-7110**  
1,5 mm

**05-7109 - 05-7110**  
DE BAKEY  
150 mm  
300 mm



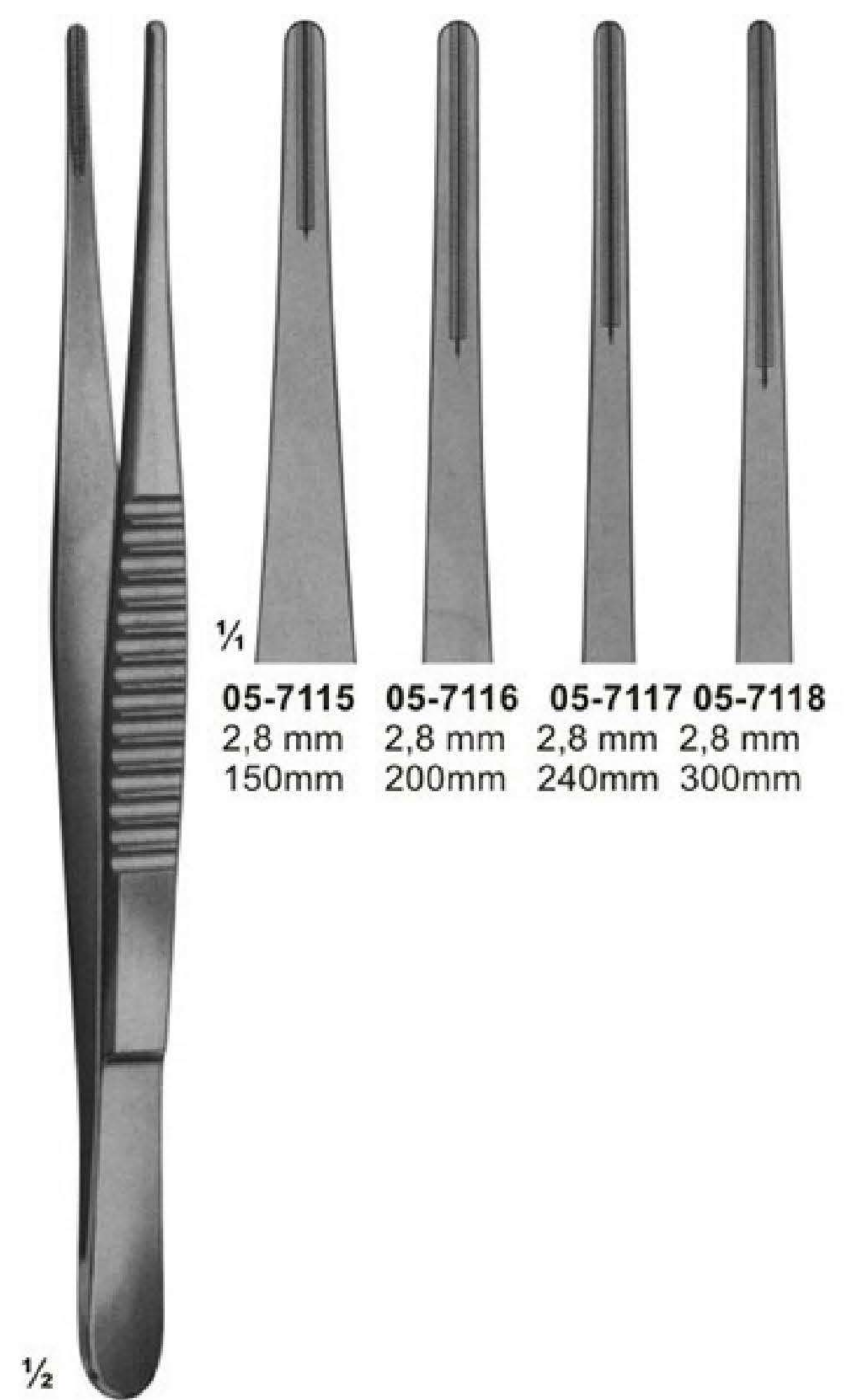
**05-7111**  
2 mm  
150mm

**05-7112**  
2 mm  
200mm

**05-7113**  
2 mm  
240mm

**05-7114**  
2 mm  
300mm

**05-7111 - 05-7114**  
DE BAKEY



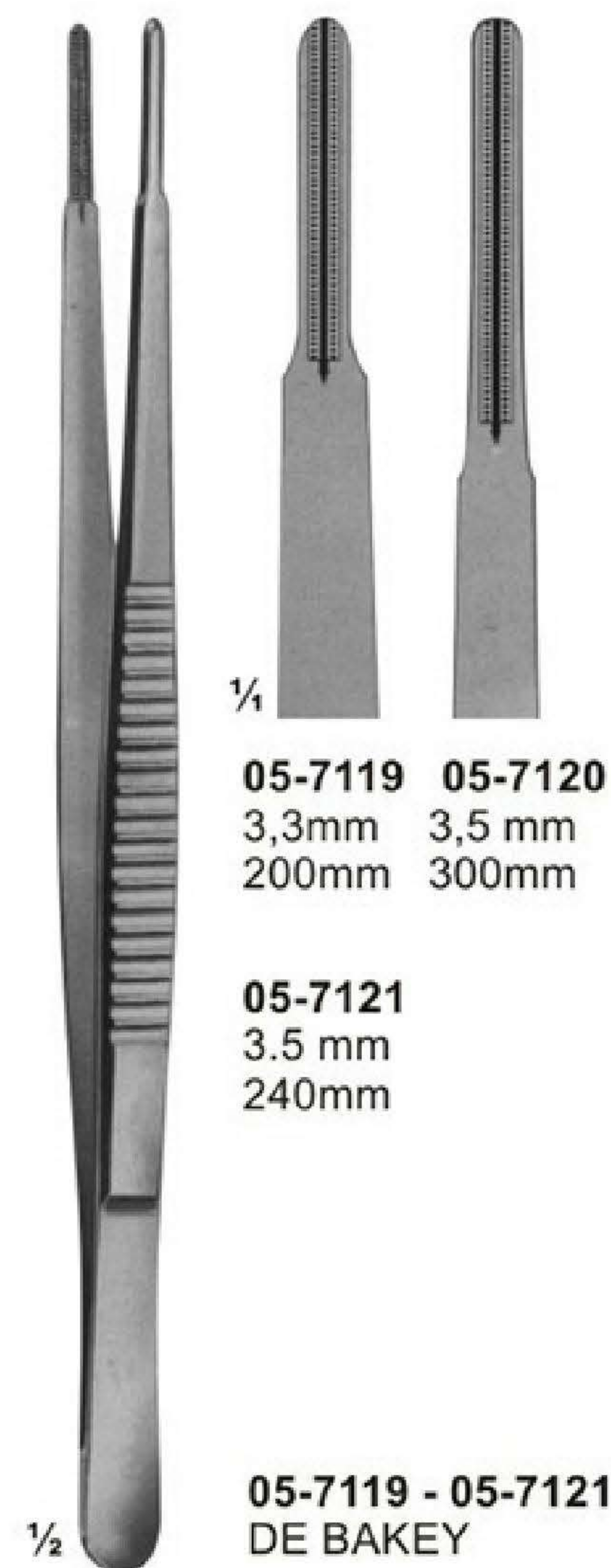
**05-7115**  
2,8 mm  
150mm

**05-7116**  
2,8 mm  
200mm

**05-7117**  
2,8 mm  
240mm

**05-7118**  
2,8 mm  
300mm

**05-7115 - 05-7118**  
DE BAKEY

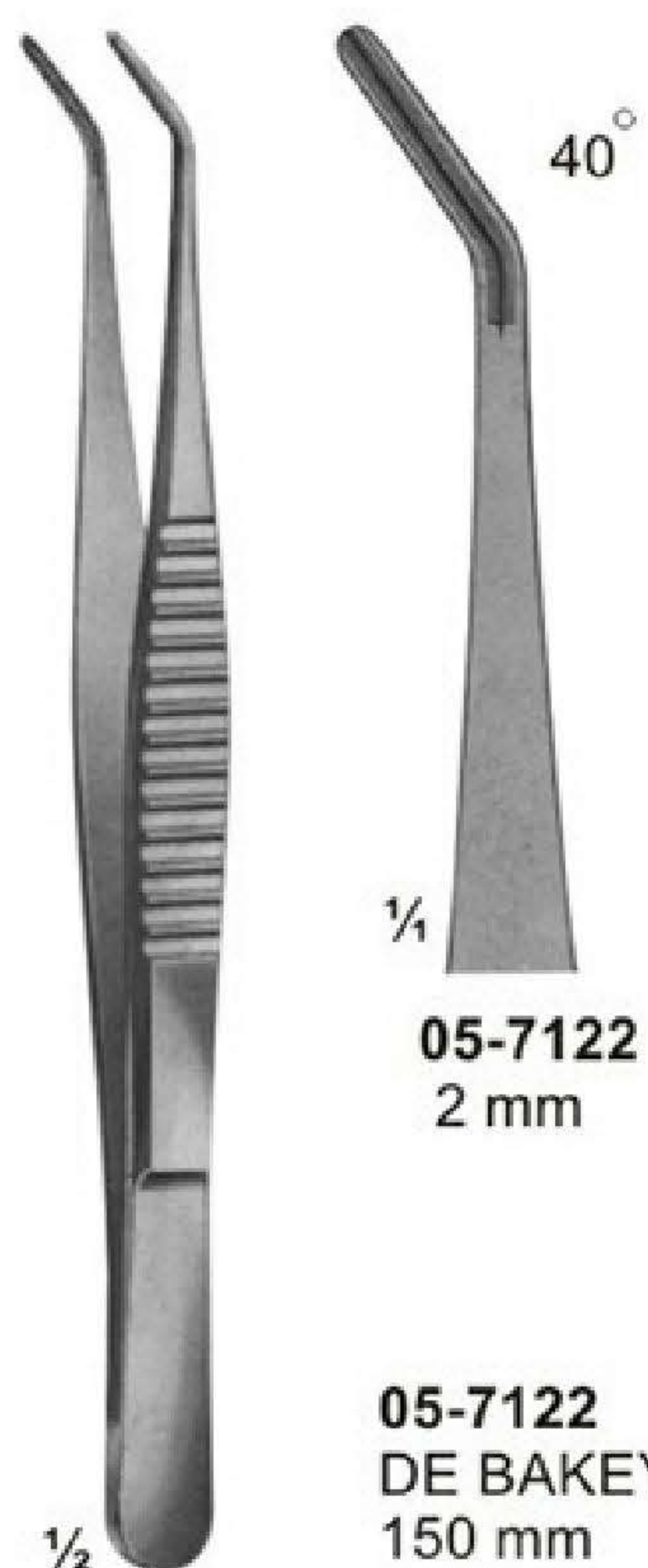


**05-7119**  
3,3mm  
200mm

**05-7120**  
3,5 mm  
300mm

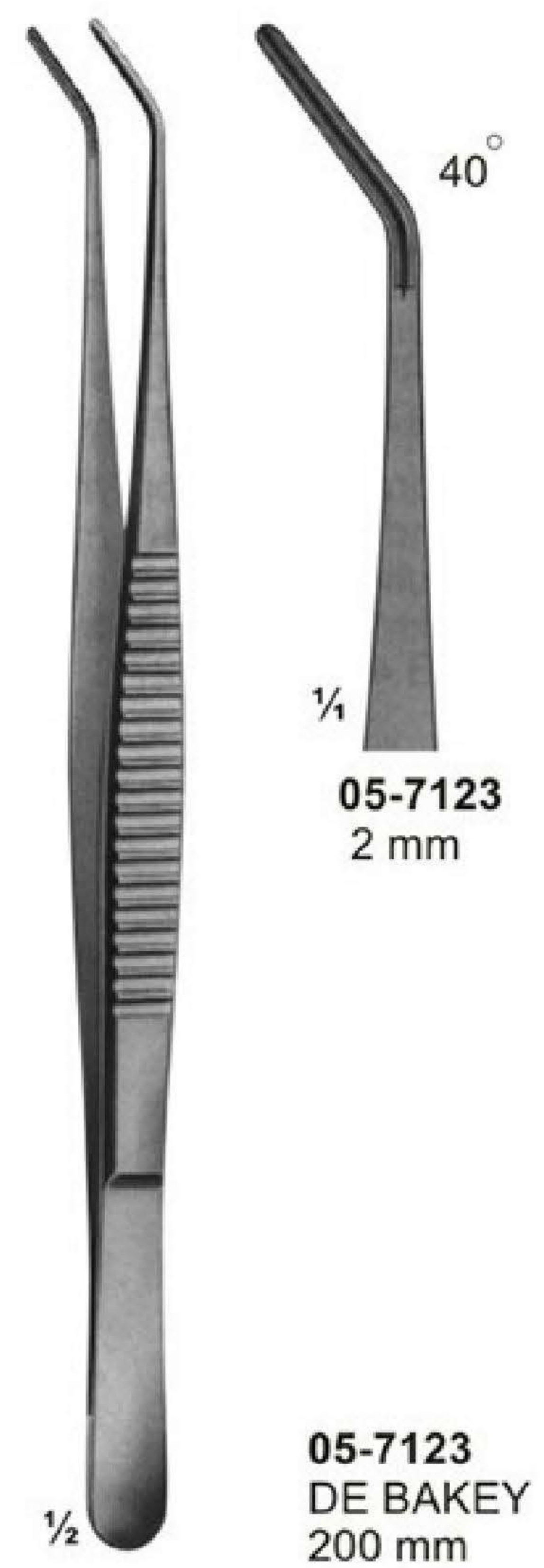
**05-7121**  
3.5 mm  
240mm

**05-7119 - 05-7121**  
DE BAKEY



**05-7122**  
2 mm

**05-7122**  
DE BAKEY  
150 mm

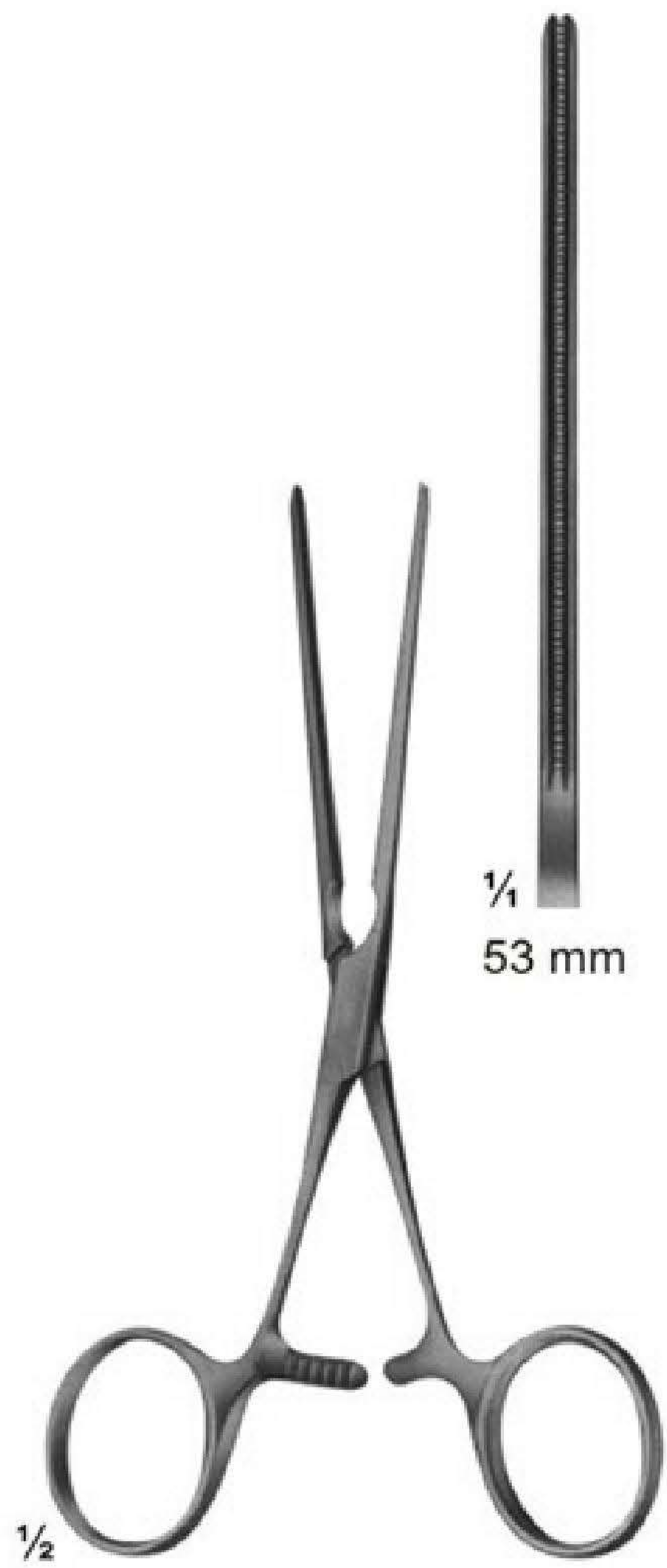


**05-7123**  
2 mm

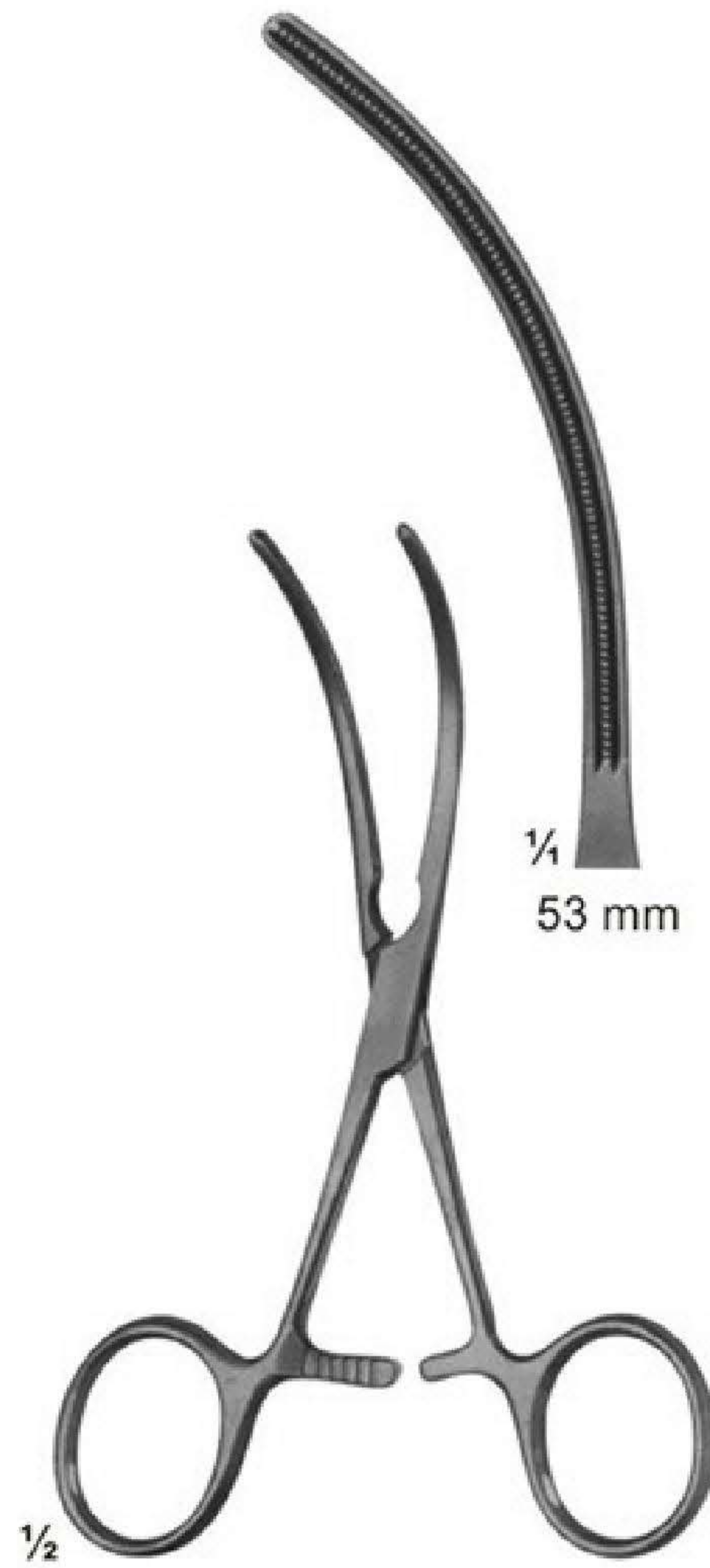
**05-7123**  
DE BAKEY  
200 mm



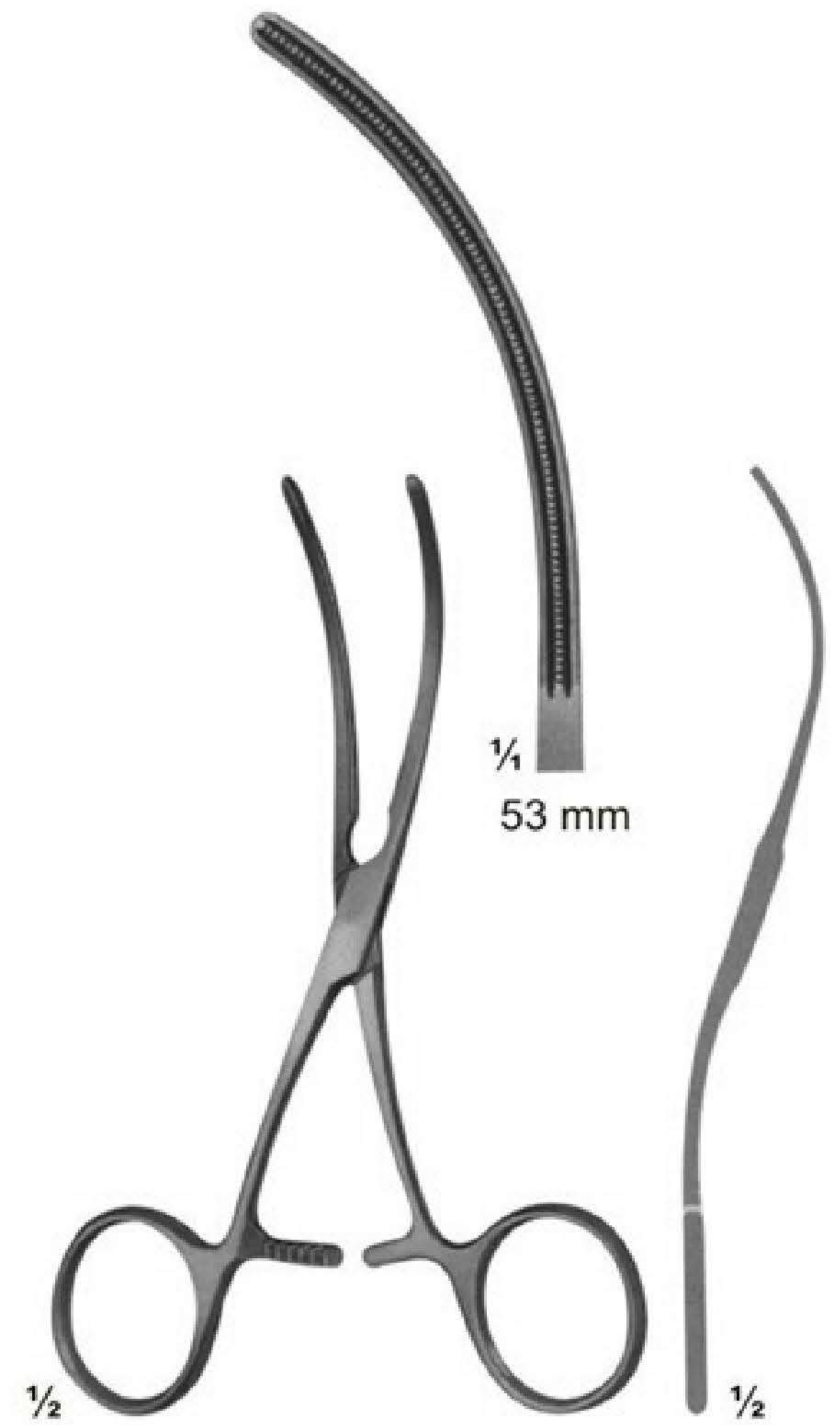
# Atraumata Ring Handle Bulldog Clamps



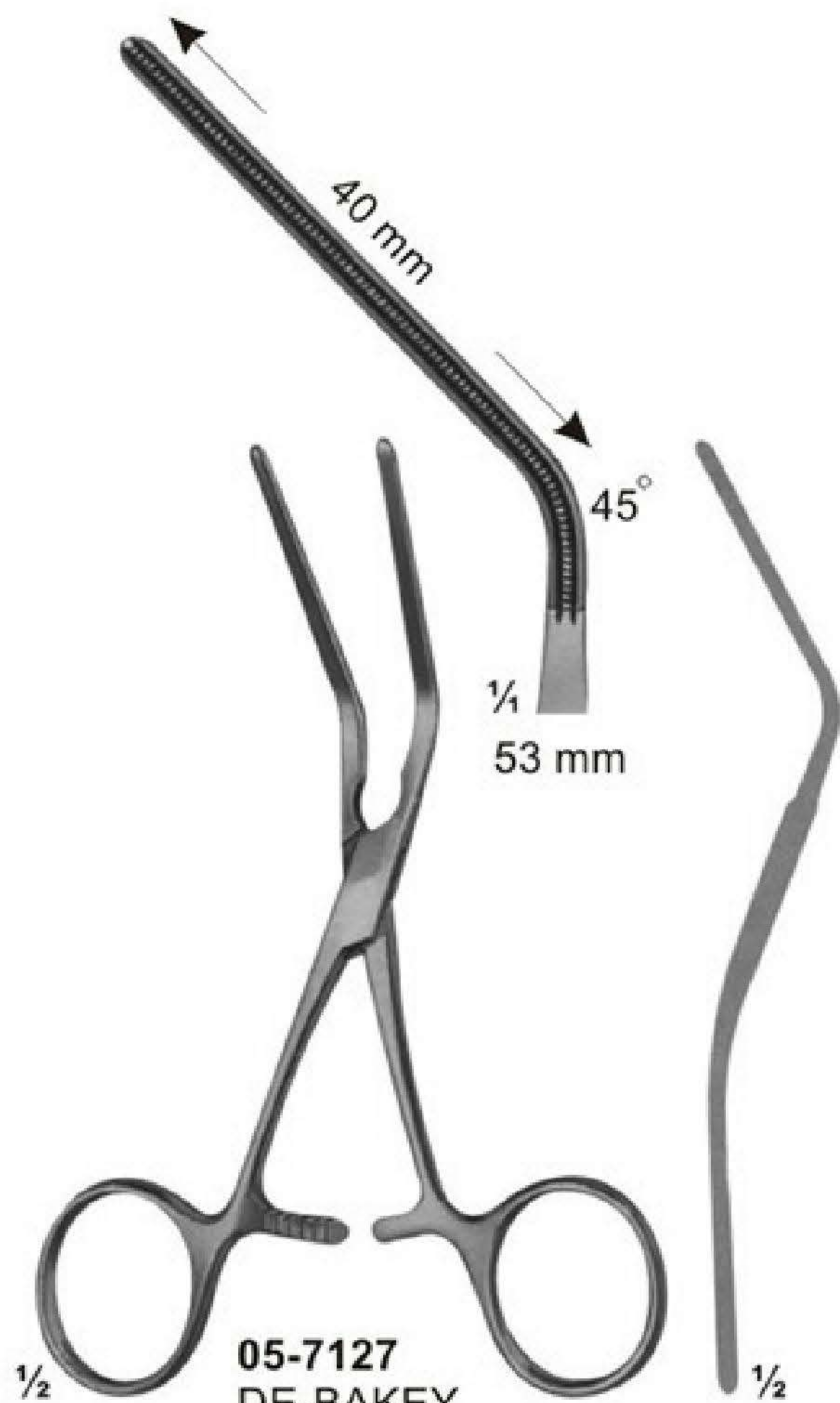
**05-7124**  
 DE-BAKEY  
 straight  
 130 mm



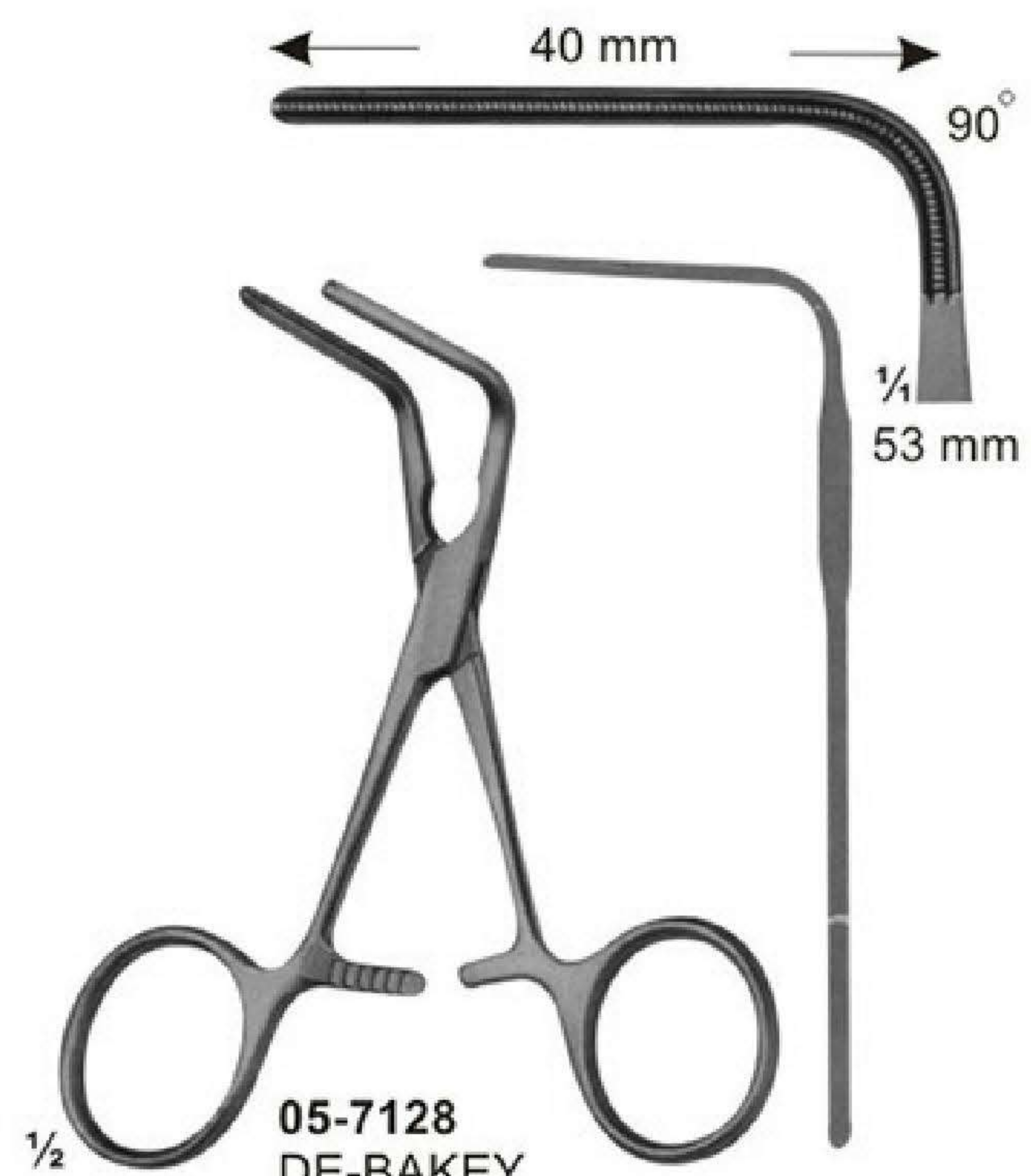
**05-7125**  
 DE-BAKEY  
 curved jaws  
 125 mm



**05-7126**  
 DE-BAKEY  
 S-shaped curved  
 125 mm



**05-7127**  
 DE-BAKEY  
 angled 45  
 125 mm



**05-7128**  
 DE-BAKEY  
 angled 90  
 105 mm



# Atraumata Anastomosis and Multi-Purpose-Clamps for Neonatales

graduated



1/2

05-7129 - 05-7132  
CASTANEDA

90°

1/4

48 mm  
05-7129  
Length 105 mm

45°

1/4

48 mm  
05-7130  
Length 120 mm

30°

1/4

48 mm  
05-7131  
Length 120 mm

1/4

48 mm  
05-7132  
Length 125 mm

graduated



1/2

05-7133 - 05-7136  
CASTANEDA

15 mm

1/4

48 mm  
05-7133  
Length 155 mm

18 mm

1/4

52 mm  
05-7134  
Length 155 mm

23 mm

1/4

56 mm  
05-7135  
Length 155 mm

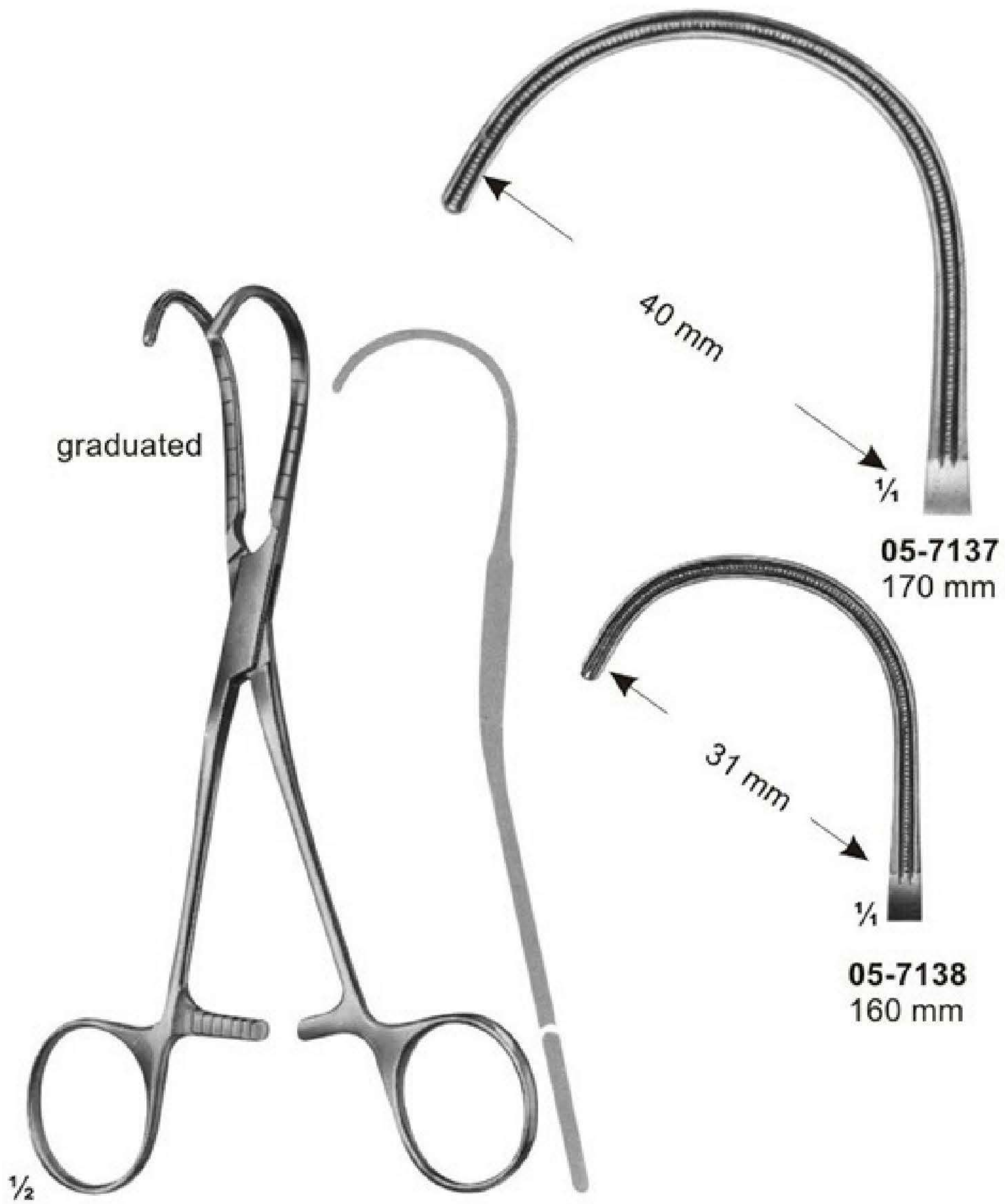
25 mm

1/4

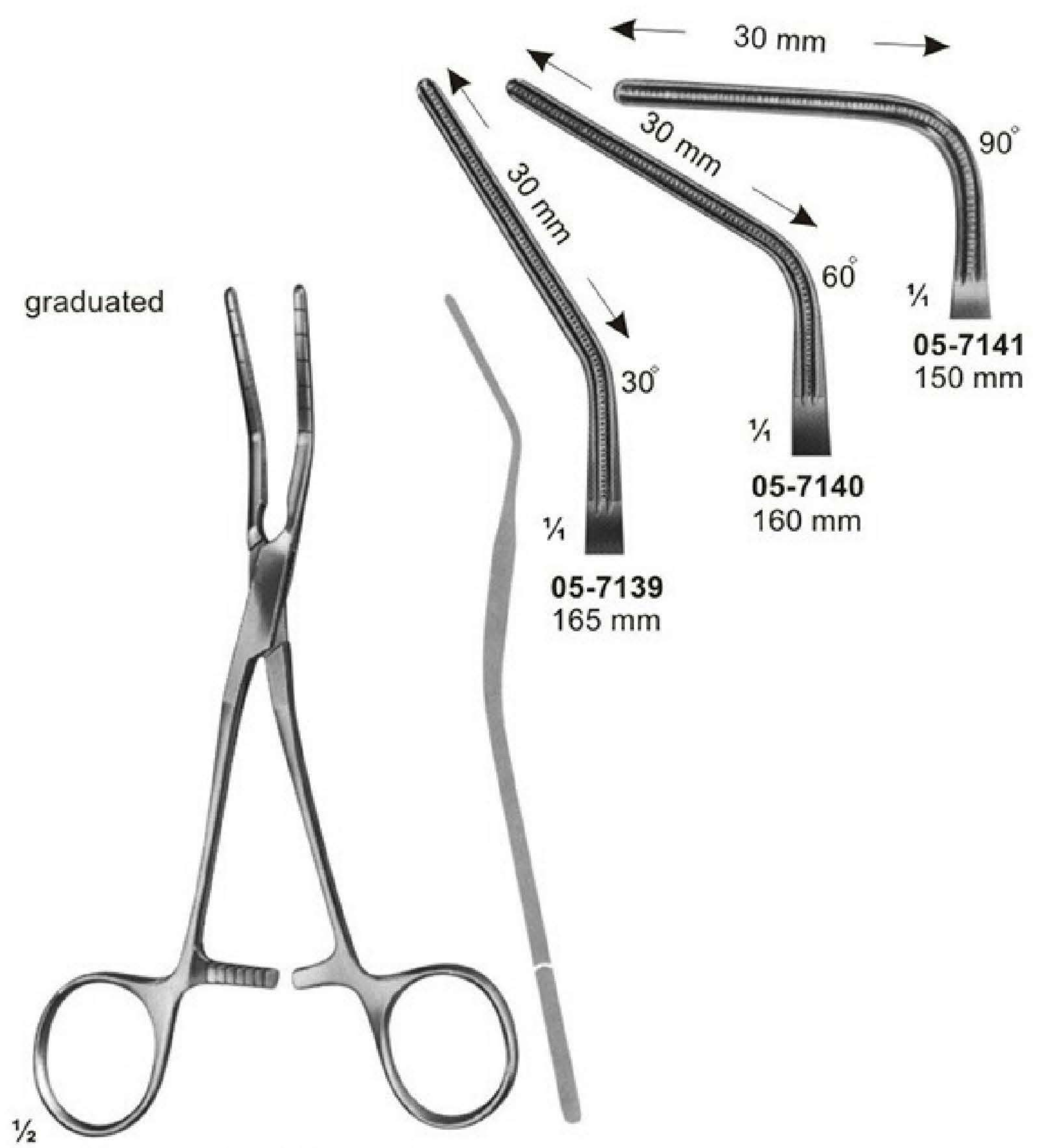
50 mm  
05-7136  
Length 155 mm



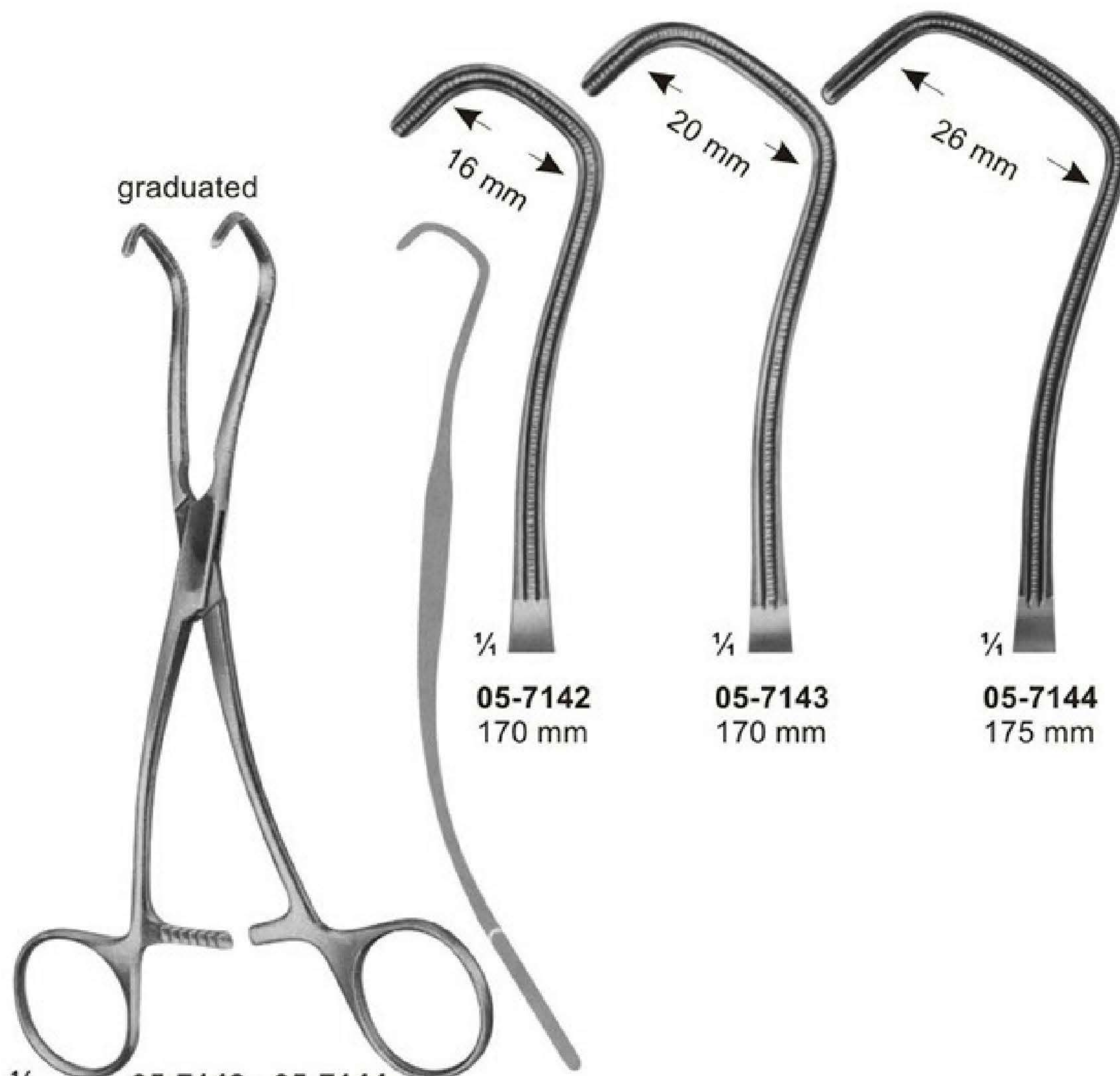
# Atraumata Anastomosis-and Multi-Purpose Clamps-Pediatric types



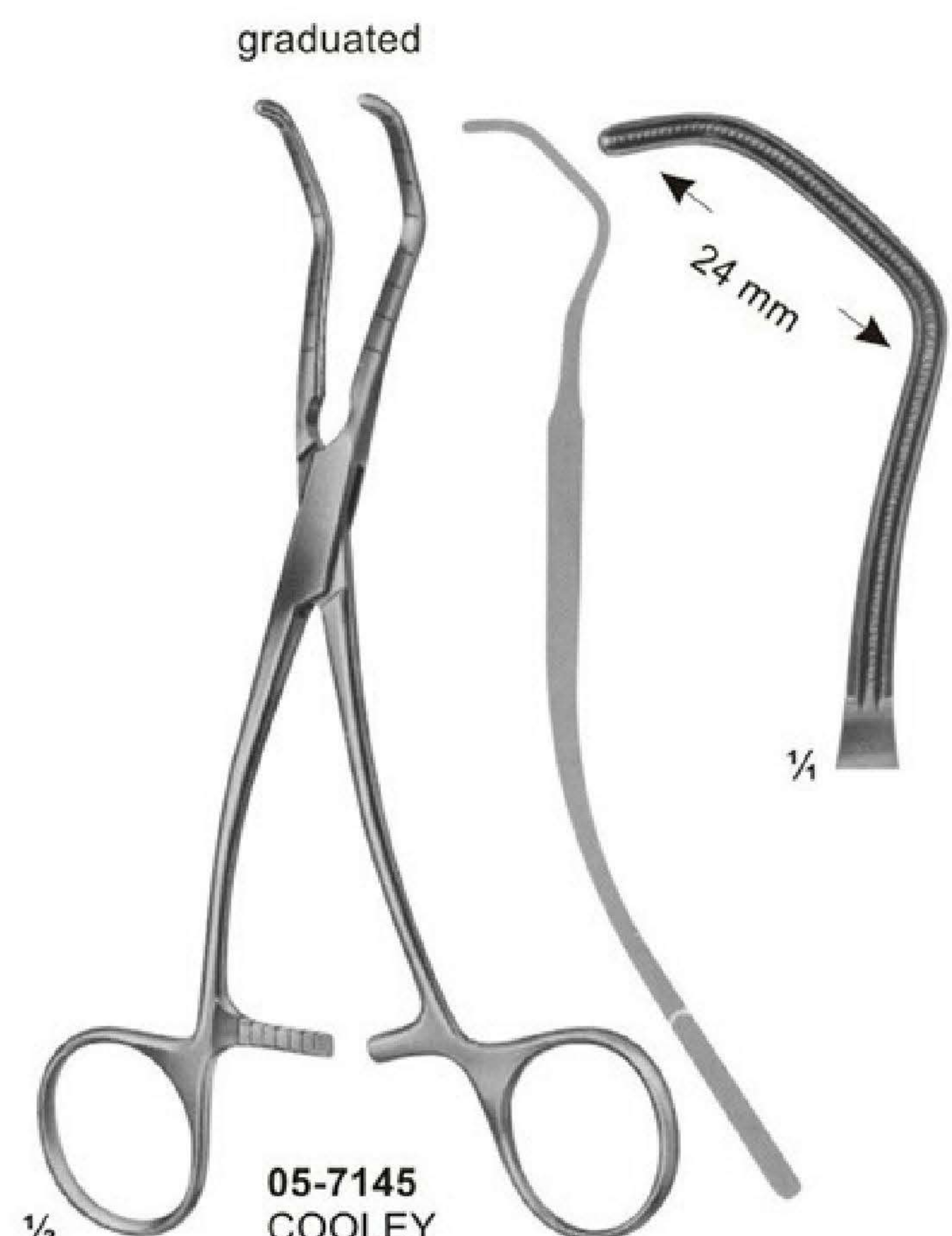
05-7137 - 05-7138  
 DE BAKEY



05-7139 - 05-7141  
 COOLEY



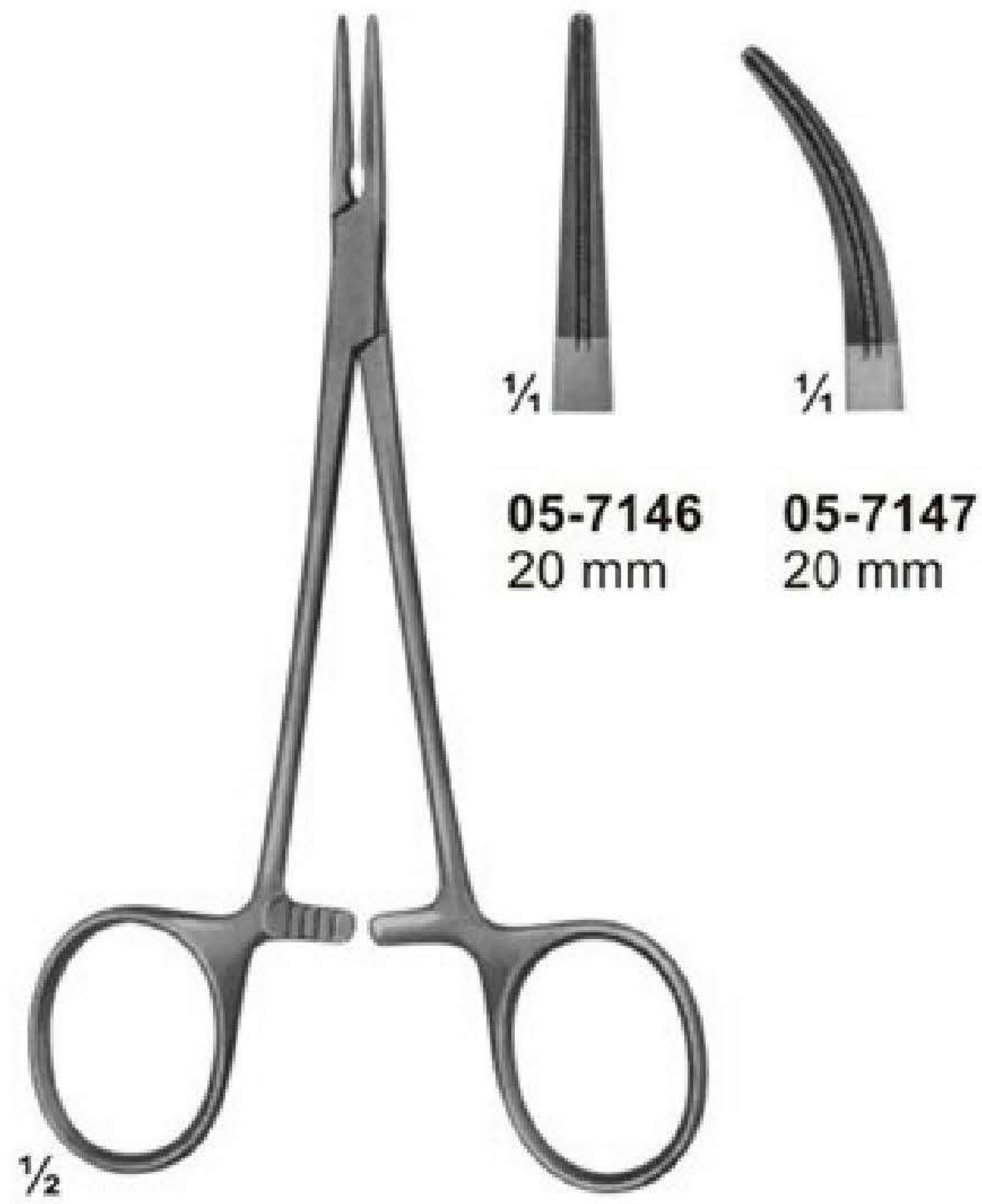
05-7142 - 05-7144  
 DERRA





# Atraumata Non-traumatic Haemostatic Forceps

## Mosquito Forceps



**05-7146**  
20 mm

**05-7147**  
20 mm

**05-7146 - 05-7147**  
125 mm



**05-7148**  
27 mm

**05-7149**  
27 mm

**05-7148 - 05-7149**  
165 mm



**05-7150**  
40 mm

**05-7151**  
40 mm

**05-7150 - 05-7151**  
DE BAKEY-BAINBRIDGE  
155 mm



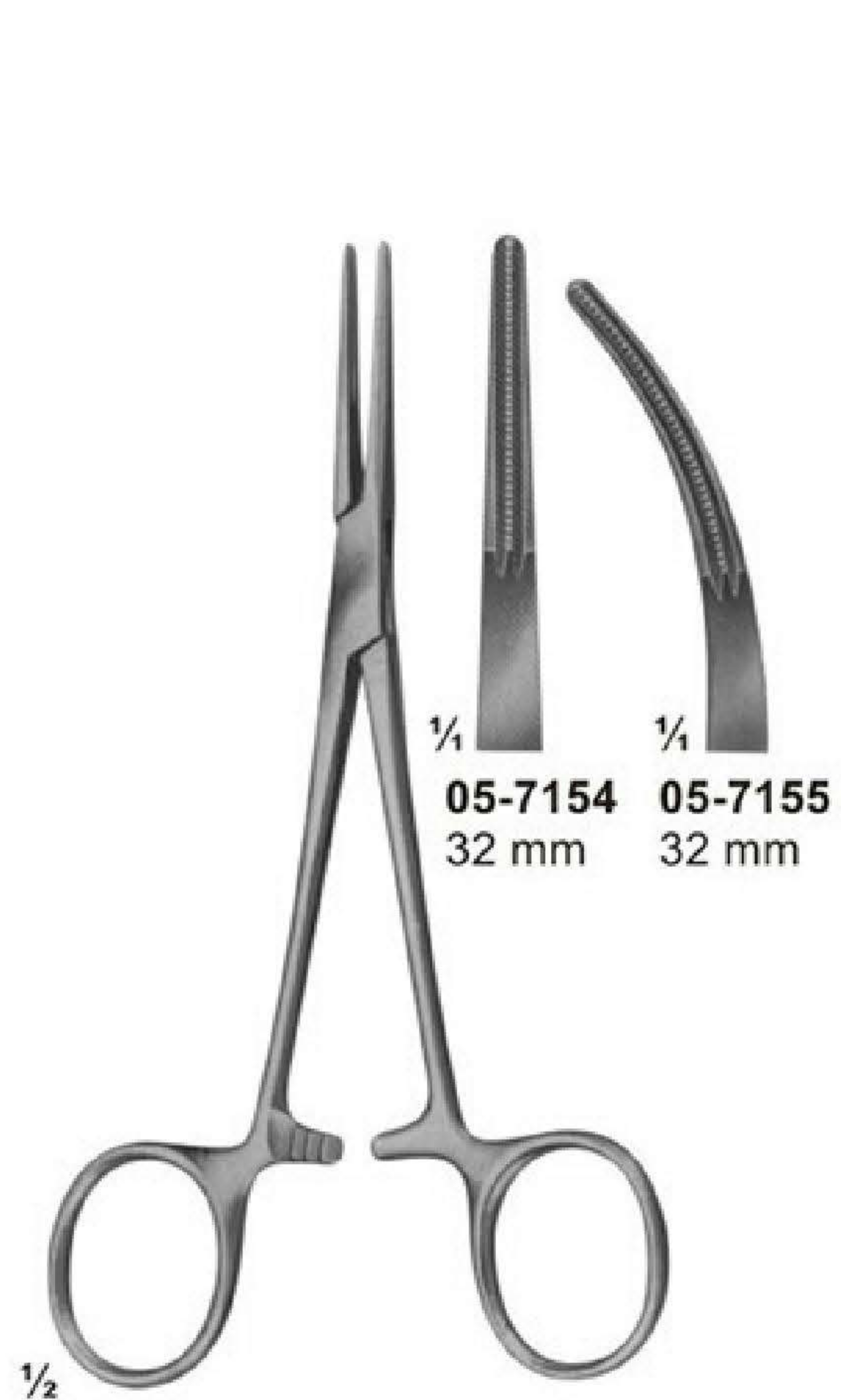
**05-7152**  
65 mm

**05-7153**  
65 mm

**05-7152 - 05-7153**  
DE BAKEY-BAINBRIDGE  
180 mm



# Atraumata Non-traumatic Haemostatic Forceps



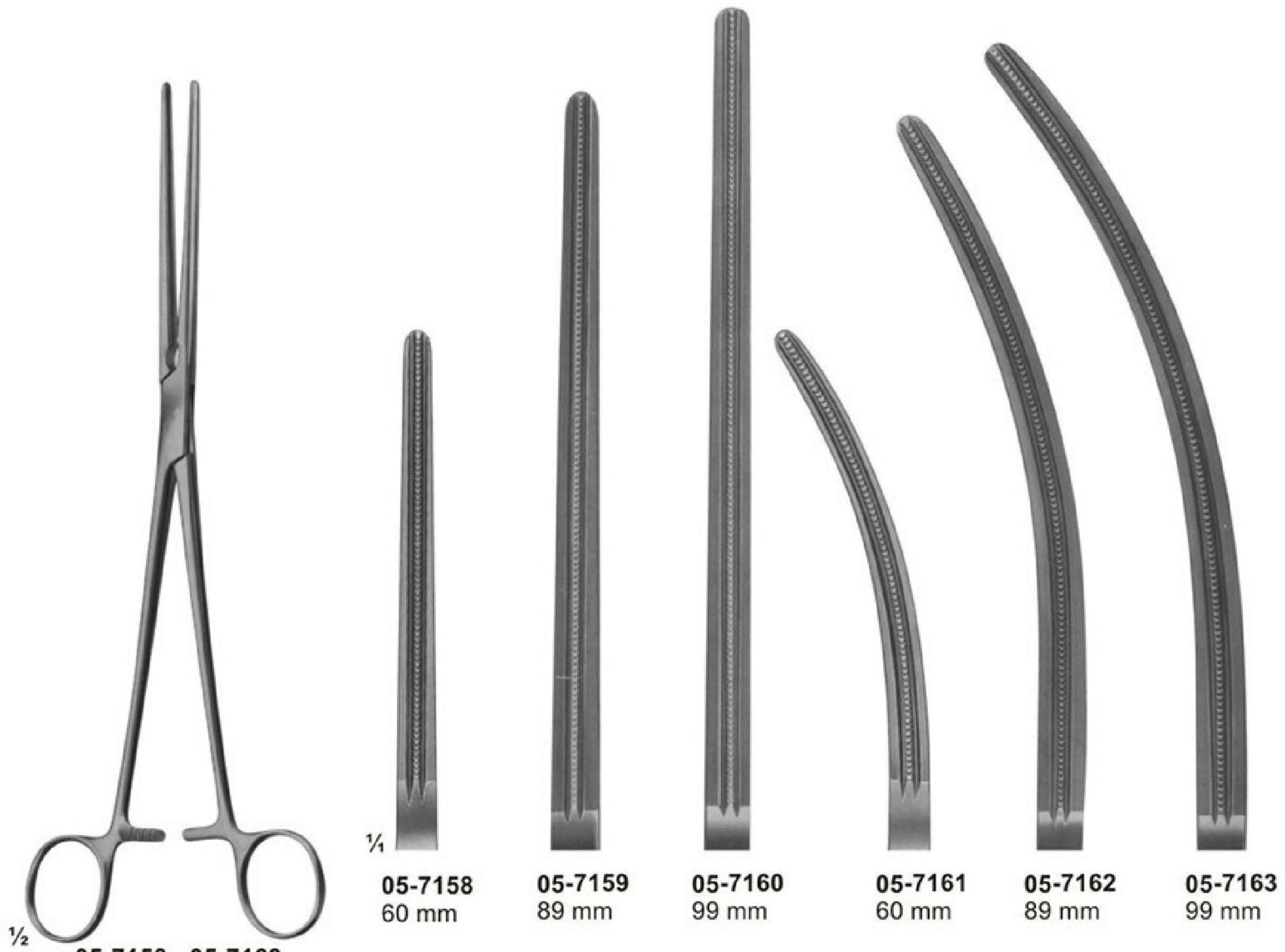
**05-7154** 32 mm  
**05-7155** 32 mm

**05-7154 - 05-7155**  
DE-BAKEY-KELLY  
140 mm



**05-7156** 50 mm  
**05-7157** 50 mm

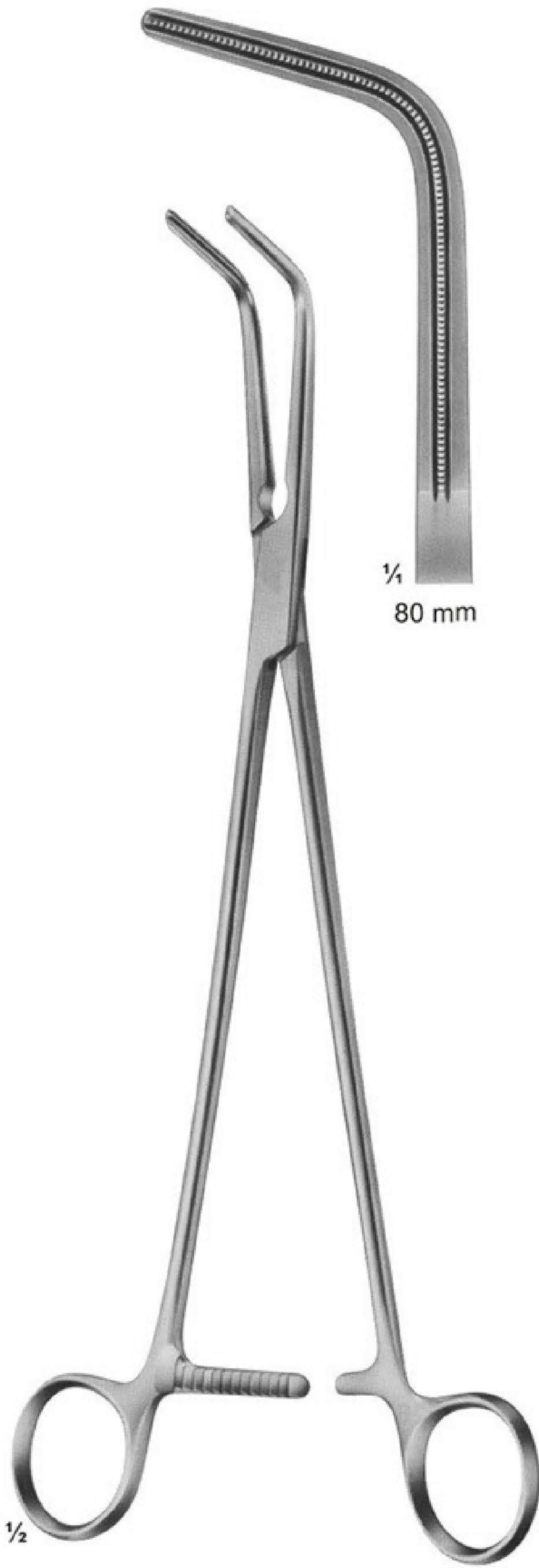
**05-7156 - 05-7157**  
PEAN  
155 mm



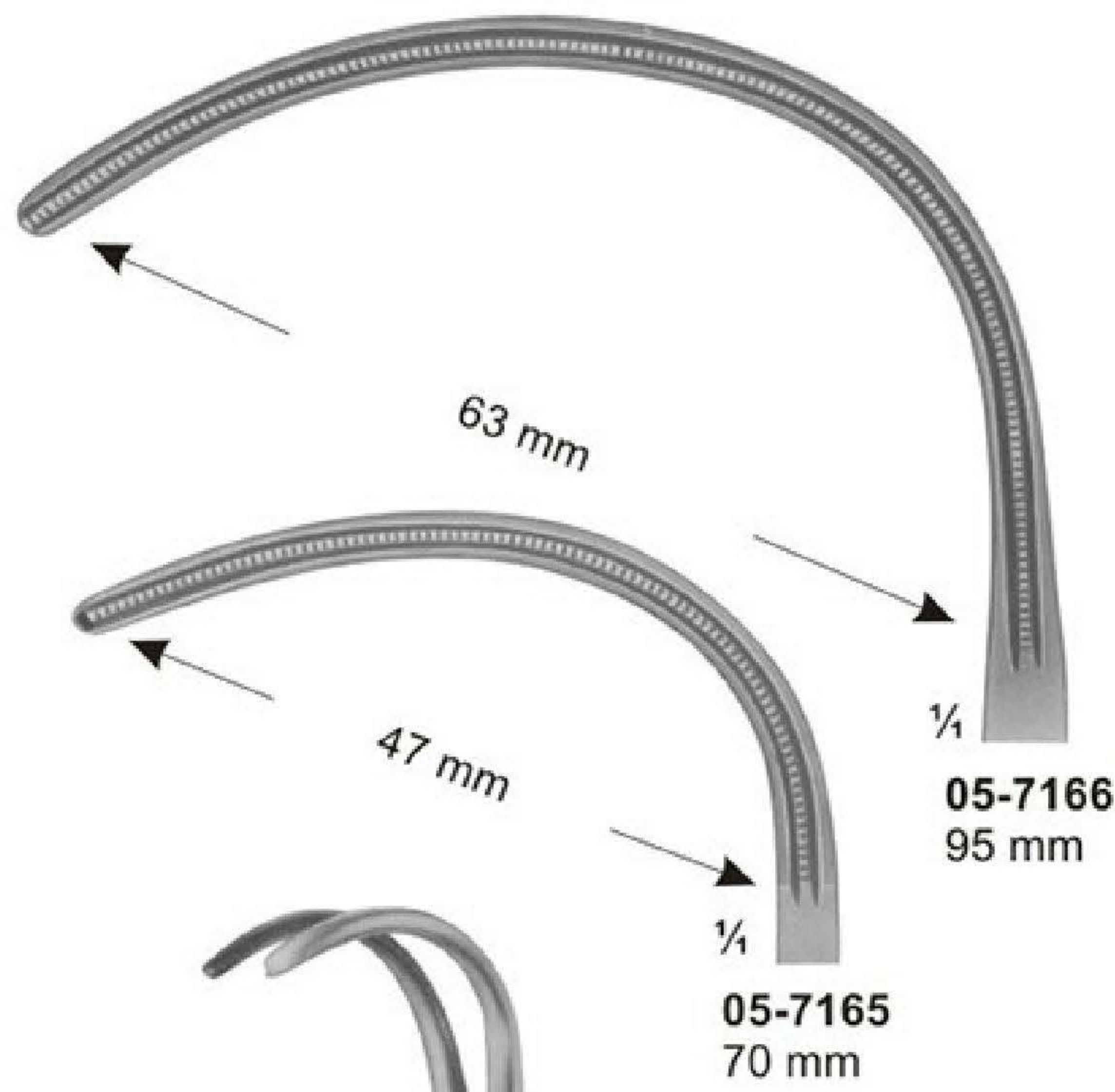
**05-7158 - 05-7163**  
DE-BAKEY-PEAN  
**05-7158** 200 mm  
**05-7159** 265 mm  
**05-7160** 280 mm  
DE-BAKEY-PEAN  
**05-7161** 200 mm  
**05-7162** 260 mm  
**05-7163** 275 mm



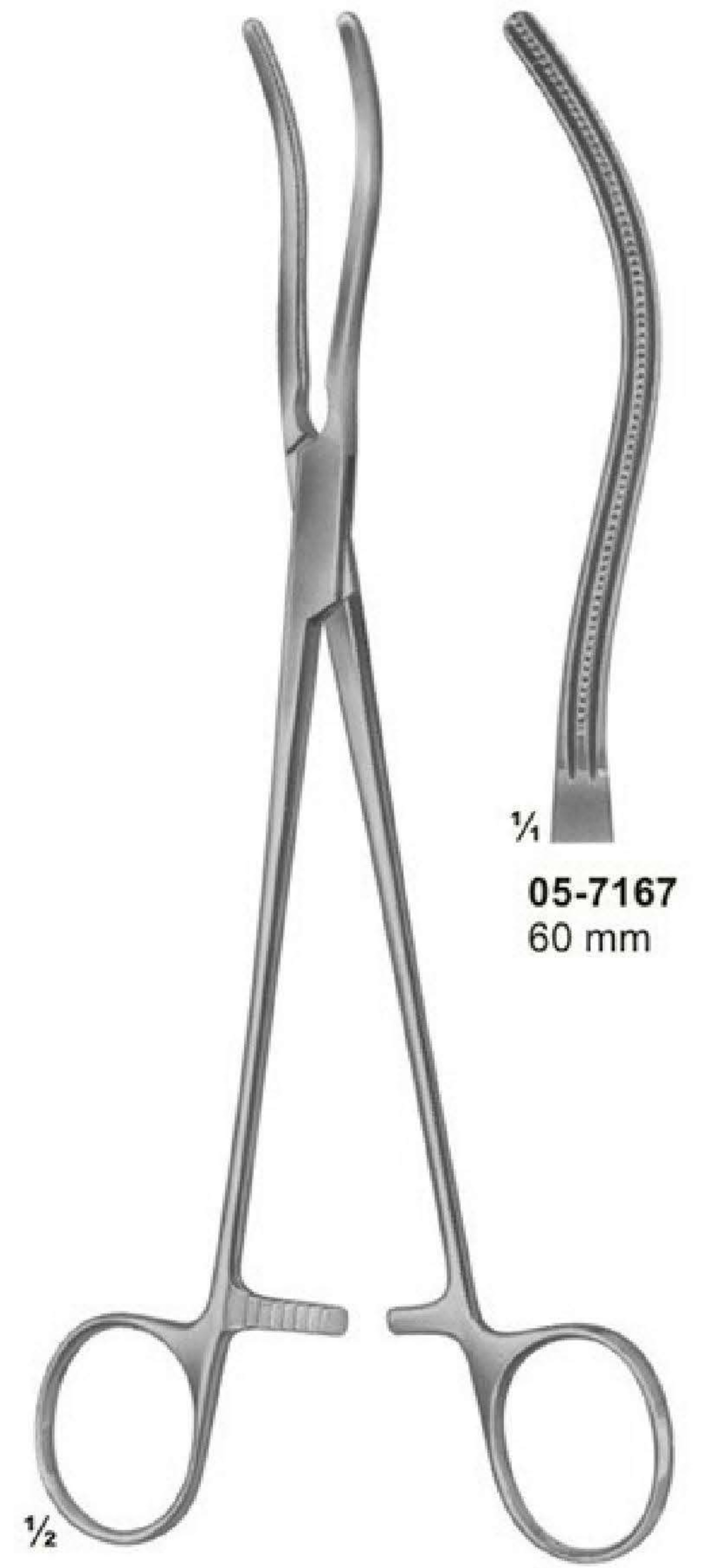
# Atraumata Dissecting And Ligature Forceps Anastomosis Clamps



**05-7164**  
DE-BAKEY-MIXTER  
285 mm



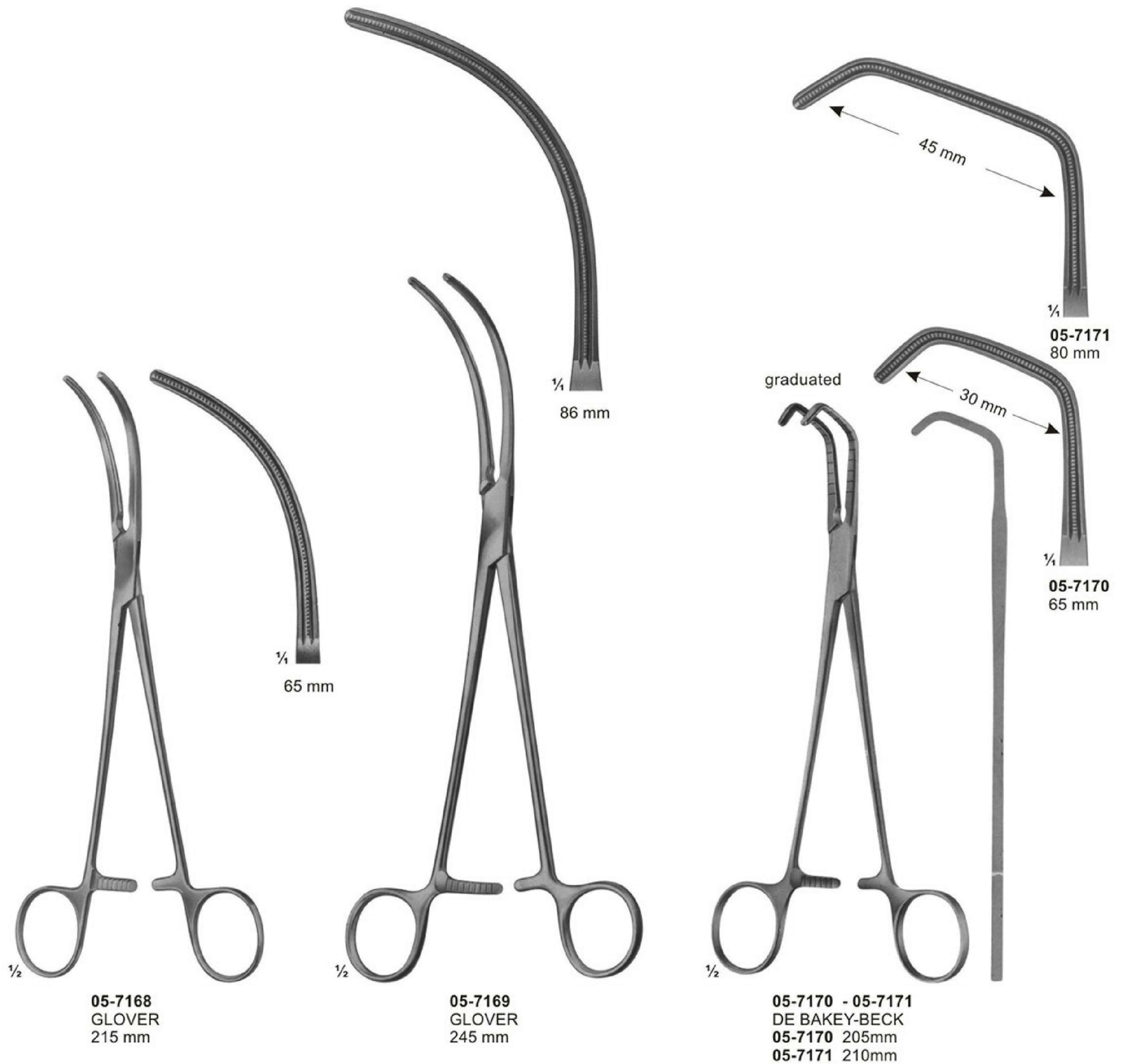
**05-7165 - 05-7166**  
GLOVER  
05-7165 195mm  
05-7166 210mm



**05-7167**  
GLOVER  
220 mm



# Atraumata Anastomosis, Vena-Cava Clamps

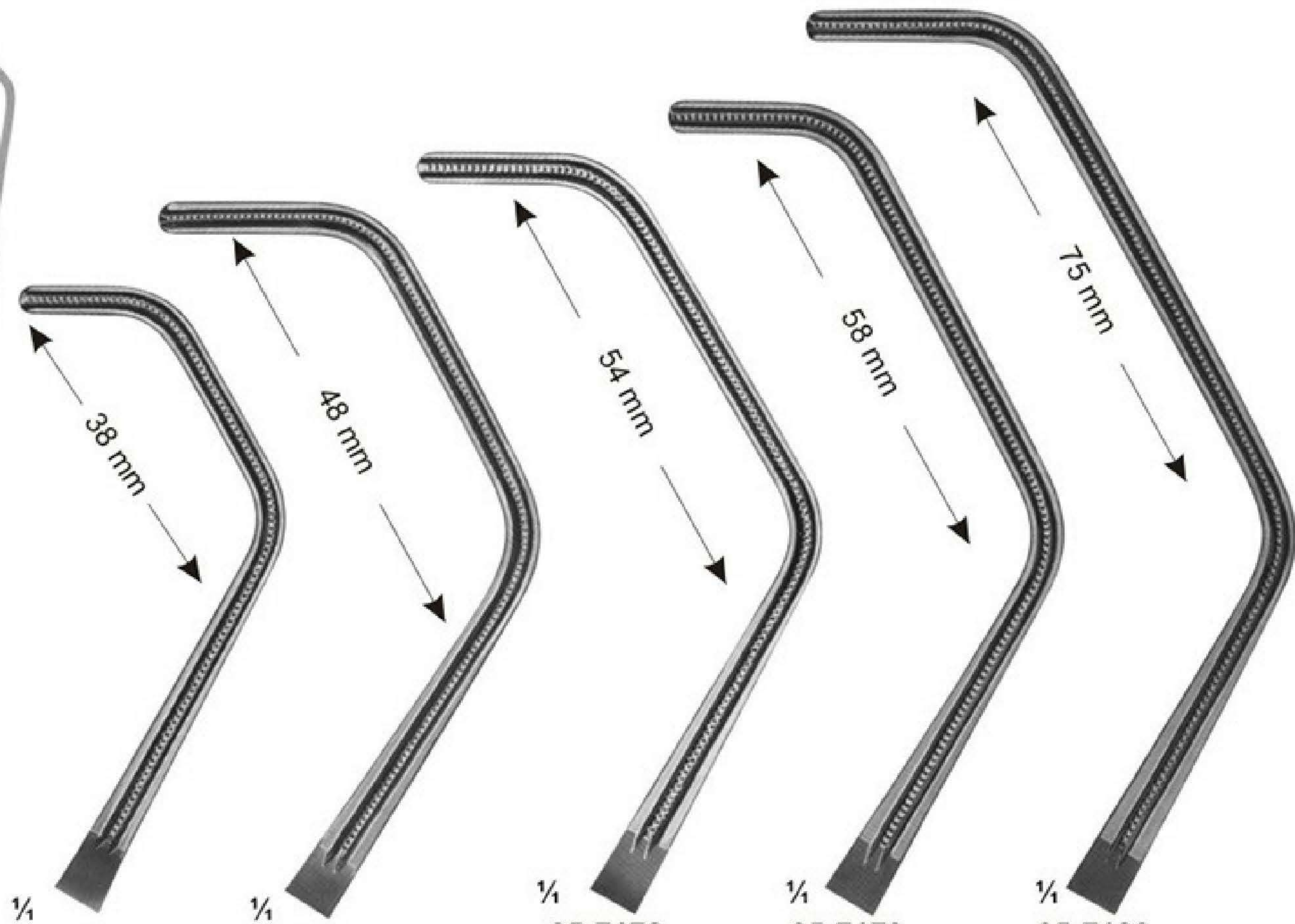




# Atraumata Vena-Cava Clamps And Tangential Occlusion Clamps



**05-7172 - 05-7175**  
DE BAKEY-HARKEN  
05-7172 - 255 mm  
05-7173 - 245 mm  
05-7174 - 245 mm  
05-7175 - 245 mm



**05-7176 - 05-7180**  
DE BAKEY

Total Length: 220 mm

Length of jaws: 85 mm

**05-7176**

**05-7177**

**05-7178**

**05-7179**

**05-7180**

265 mm

270 mm

270 mm

280 mm

95 mm

99 mm

103 mm

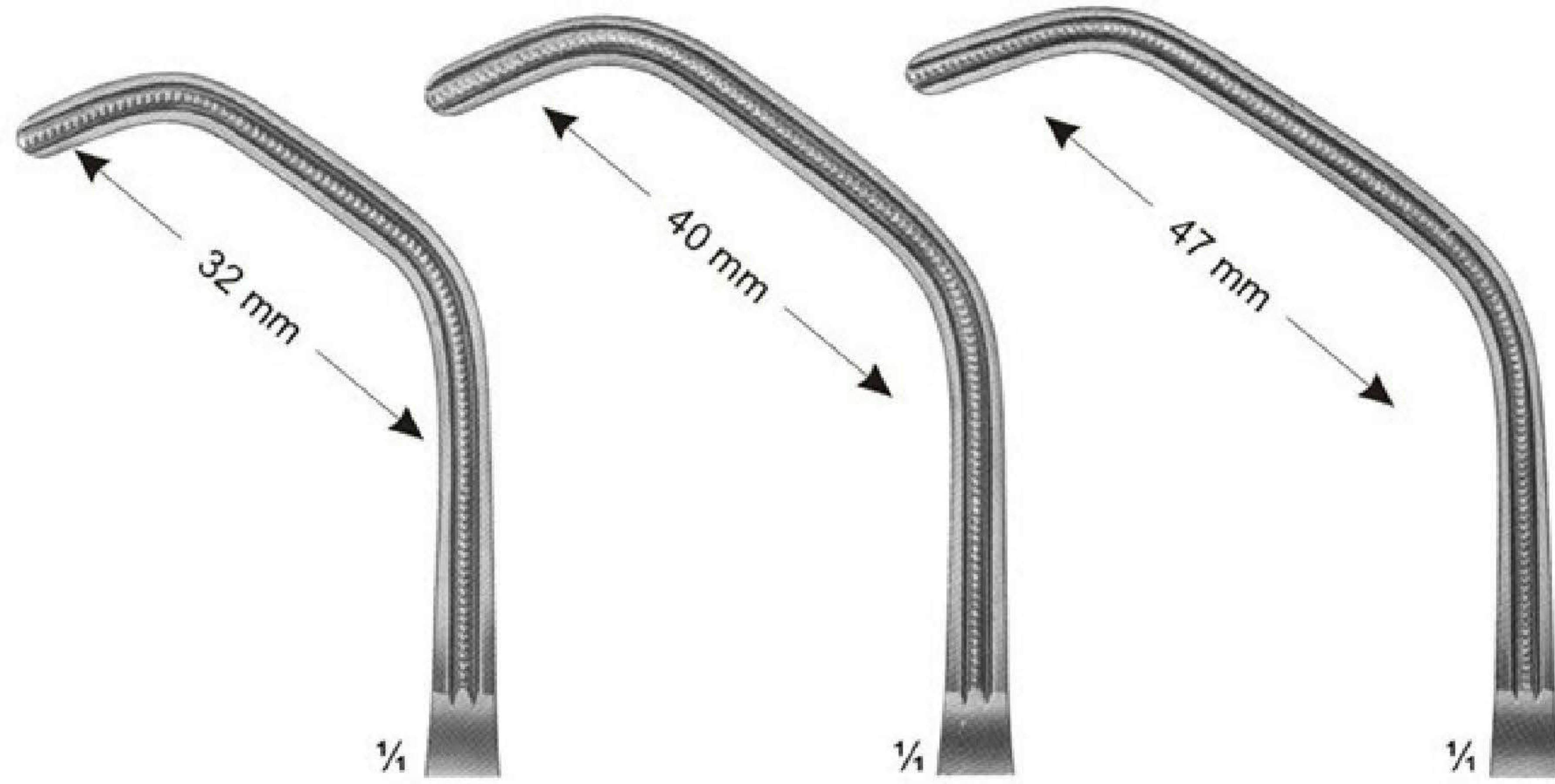
119 mm



# Atraumata Tangential Occlusion And Coarctation Clamps



**05-7181 - 05-7183**  
DE BAKEY-SATINSKY



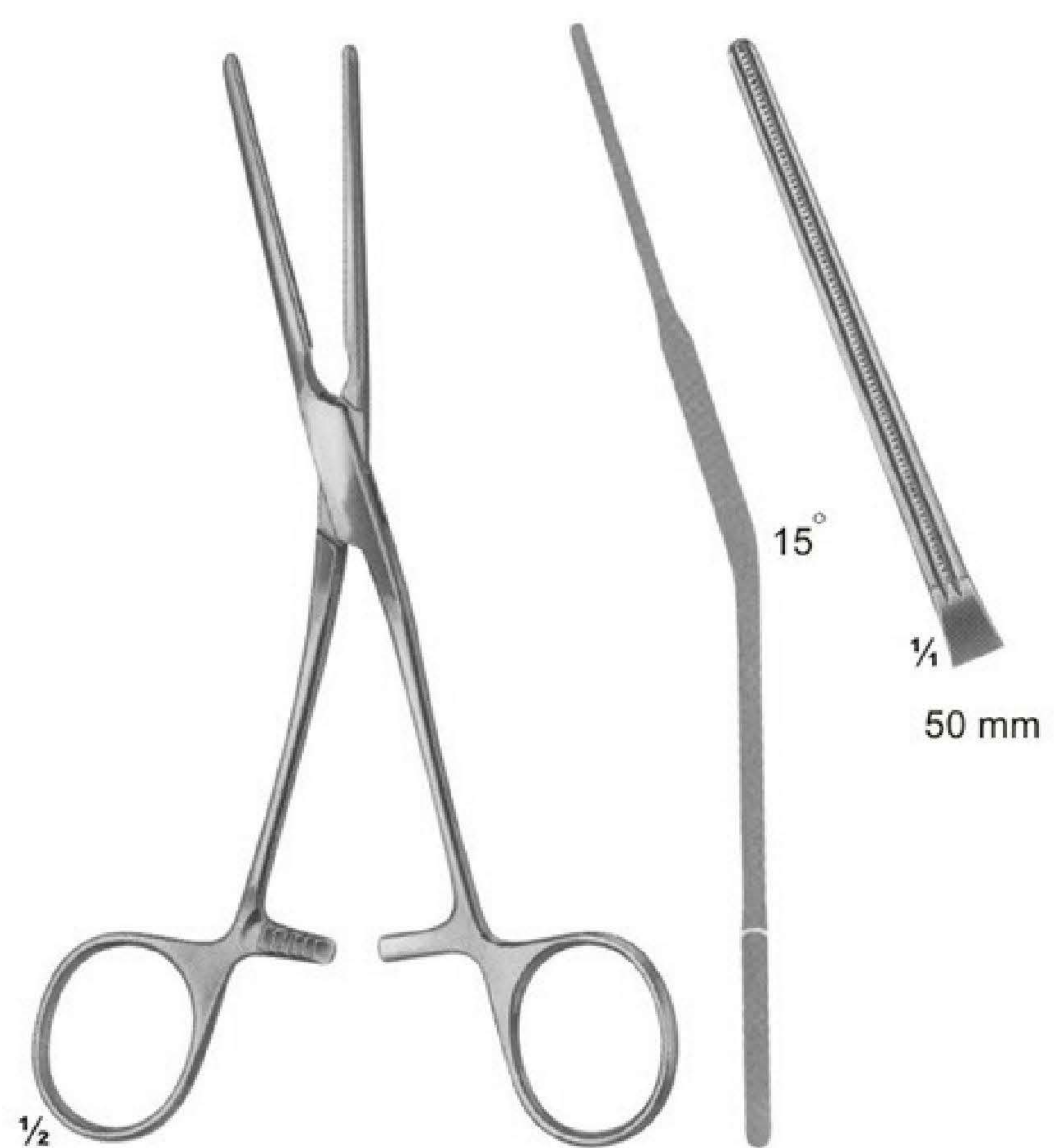
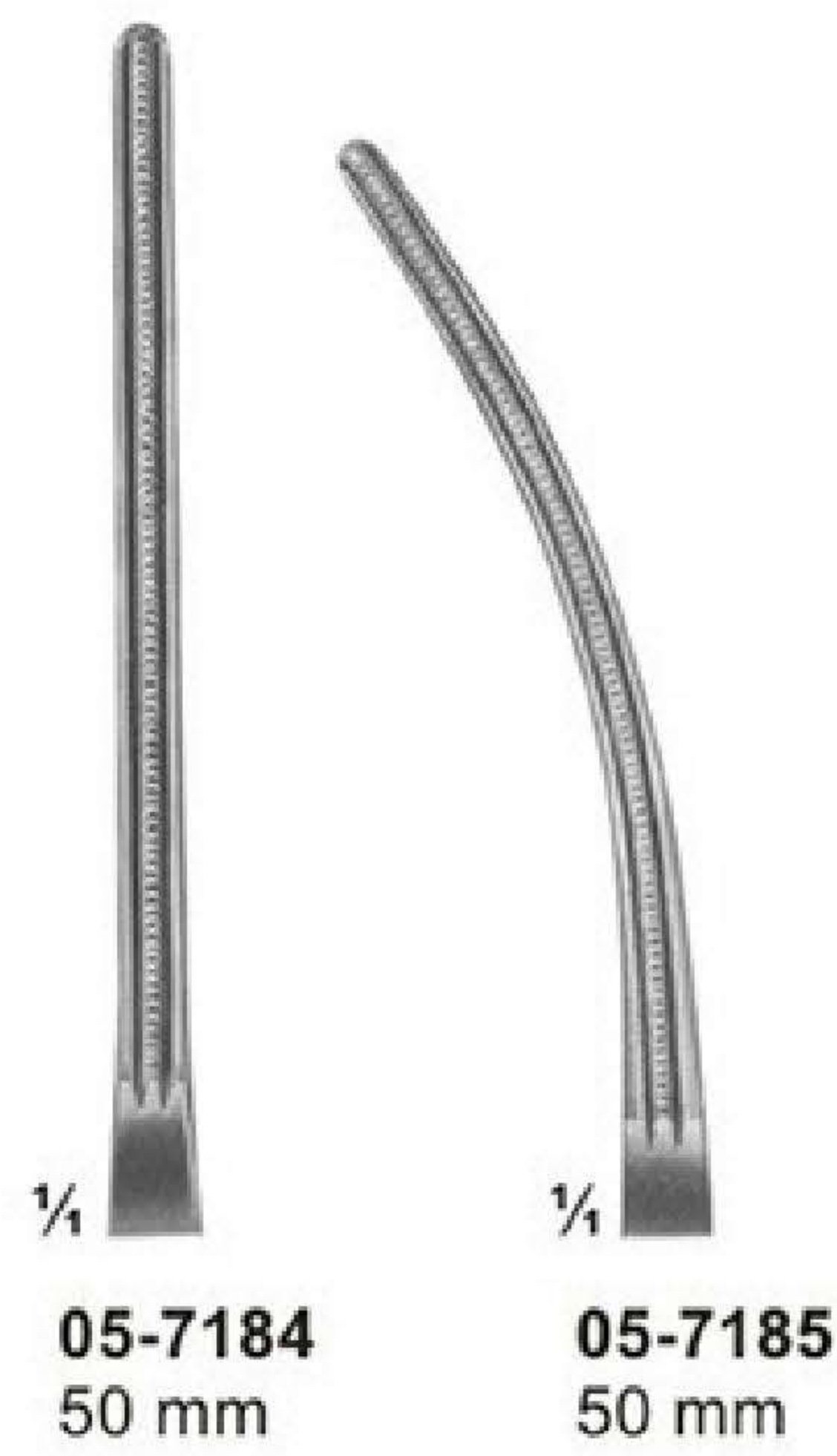
**05-7181**  
68 mm  
Length 235mm

**05-7182**  
76 mm  
Length 240mm

**05-7183**  
84 mm  
Length 245mm



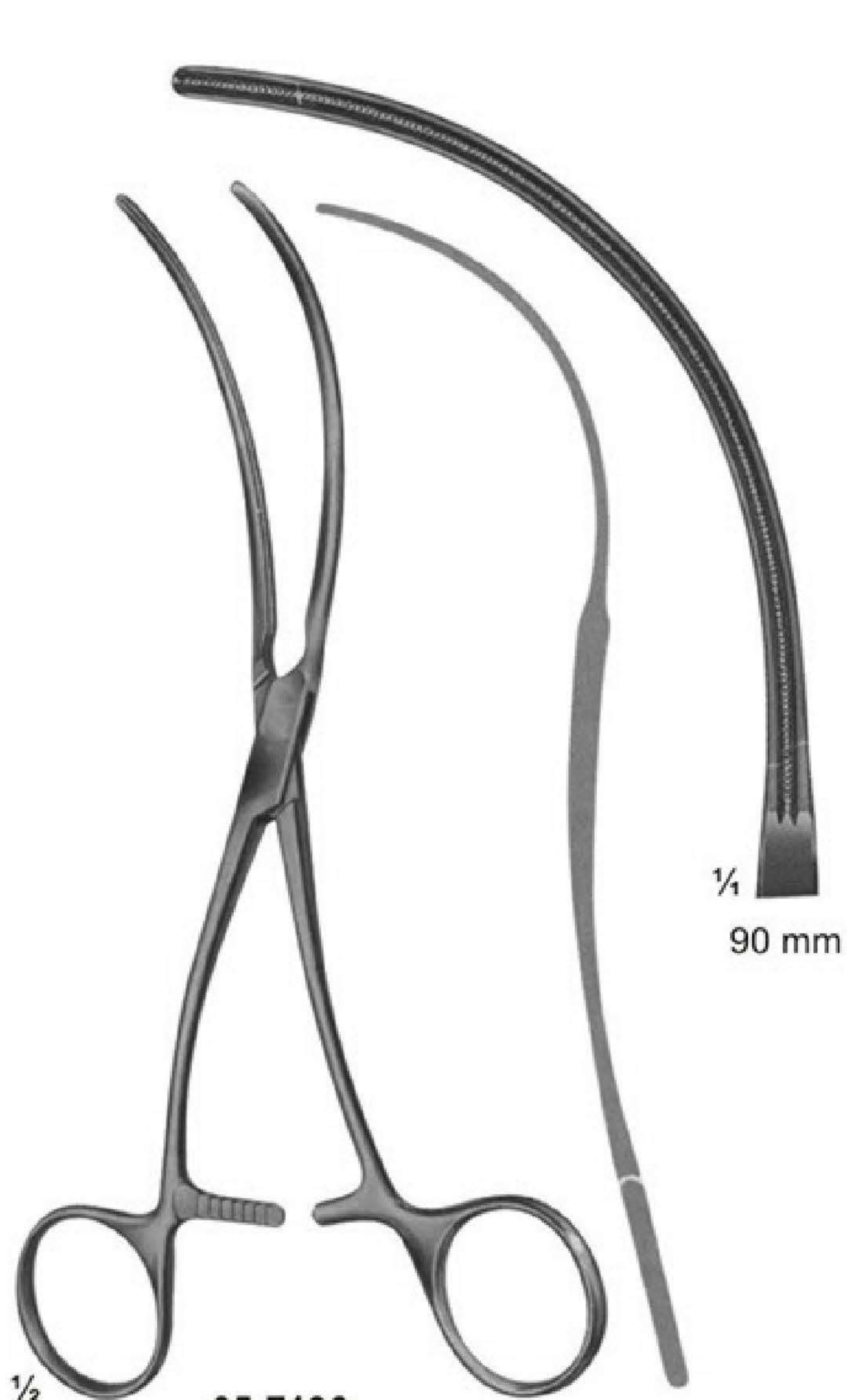
**05-7184 - 05-7185**  
DE BAKEY  
05-7184 170mm  
05-7185 165mm



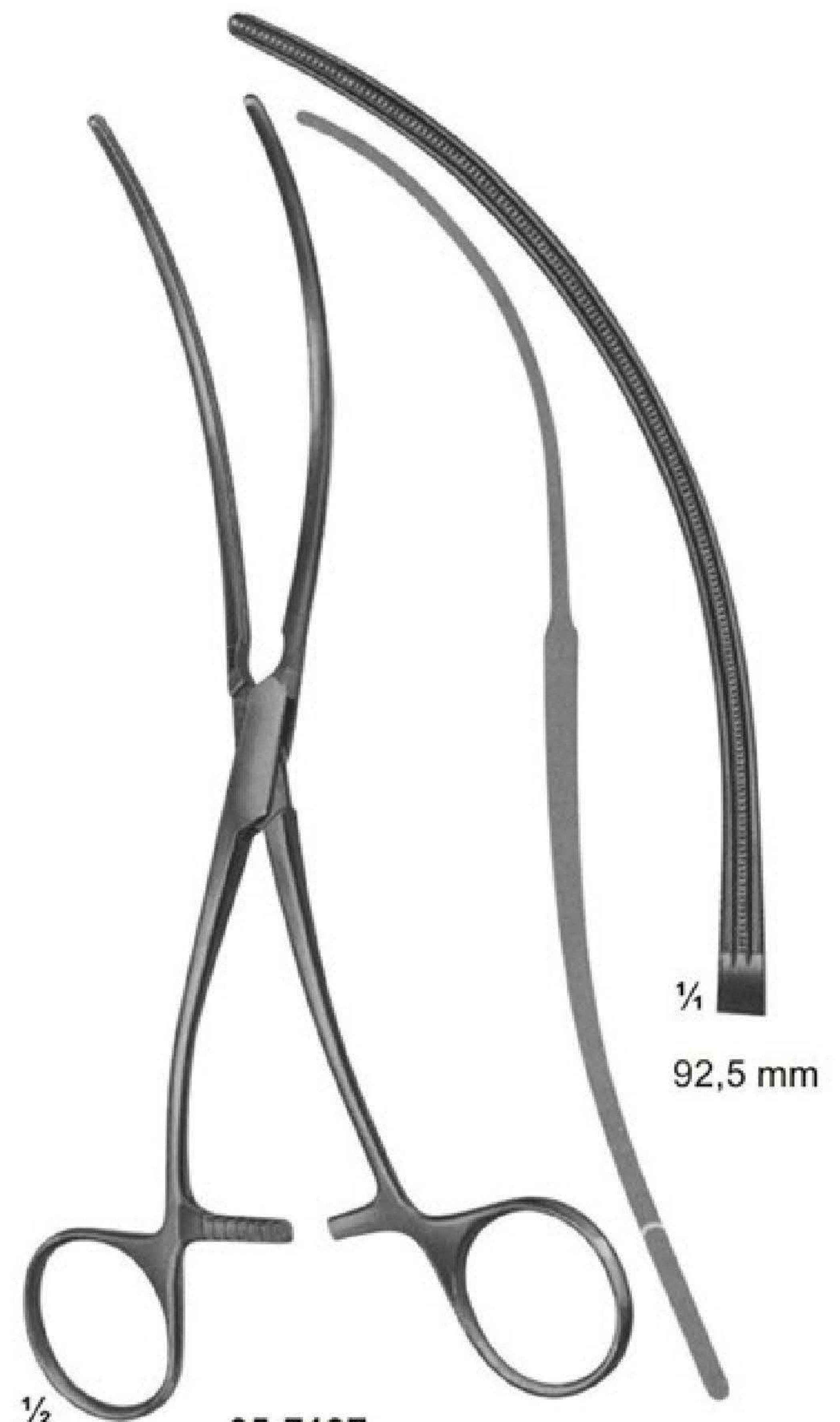
**05-7186**  
DE BAKEY  
165 mm



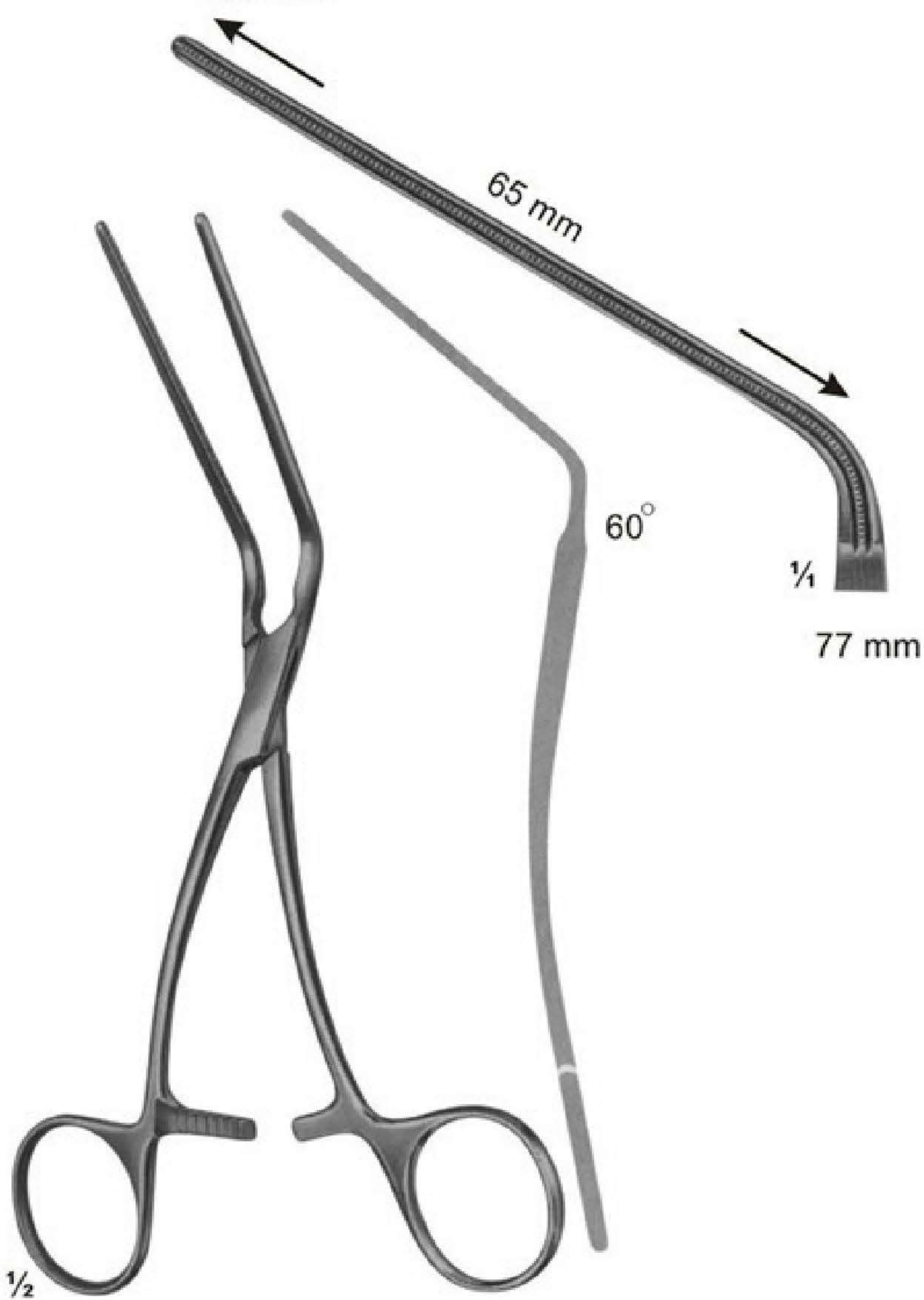
# Atraumata Peripheral-Vascular Clamps



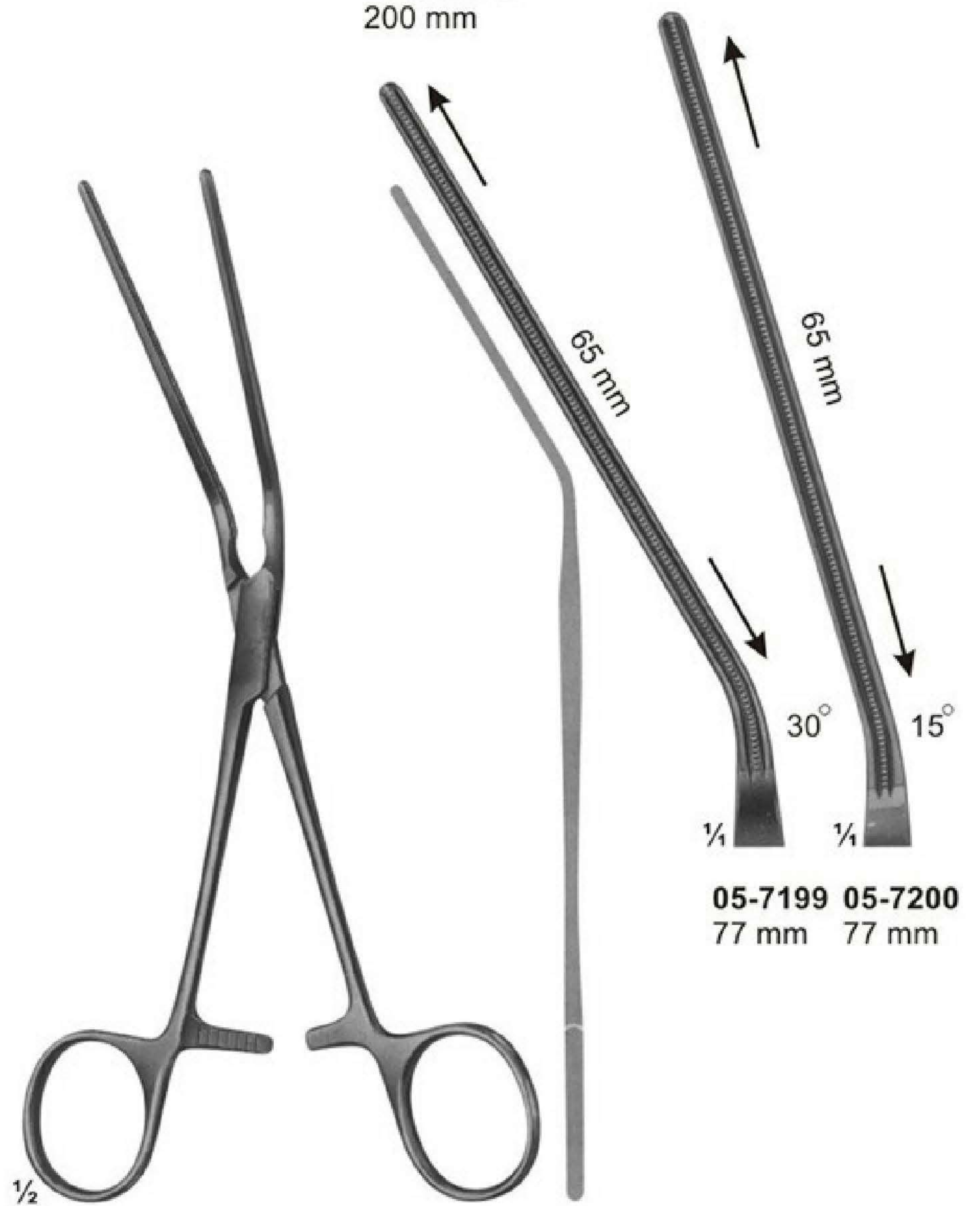
**05-7196**  
 DE BAKEY  
 190 mm



**05-7197**  
 DE BAKEY  
 200 mm



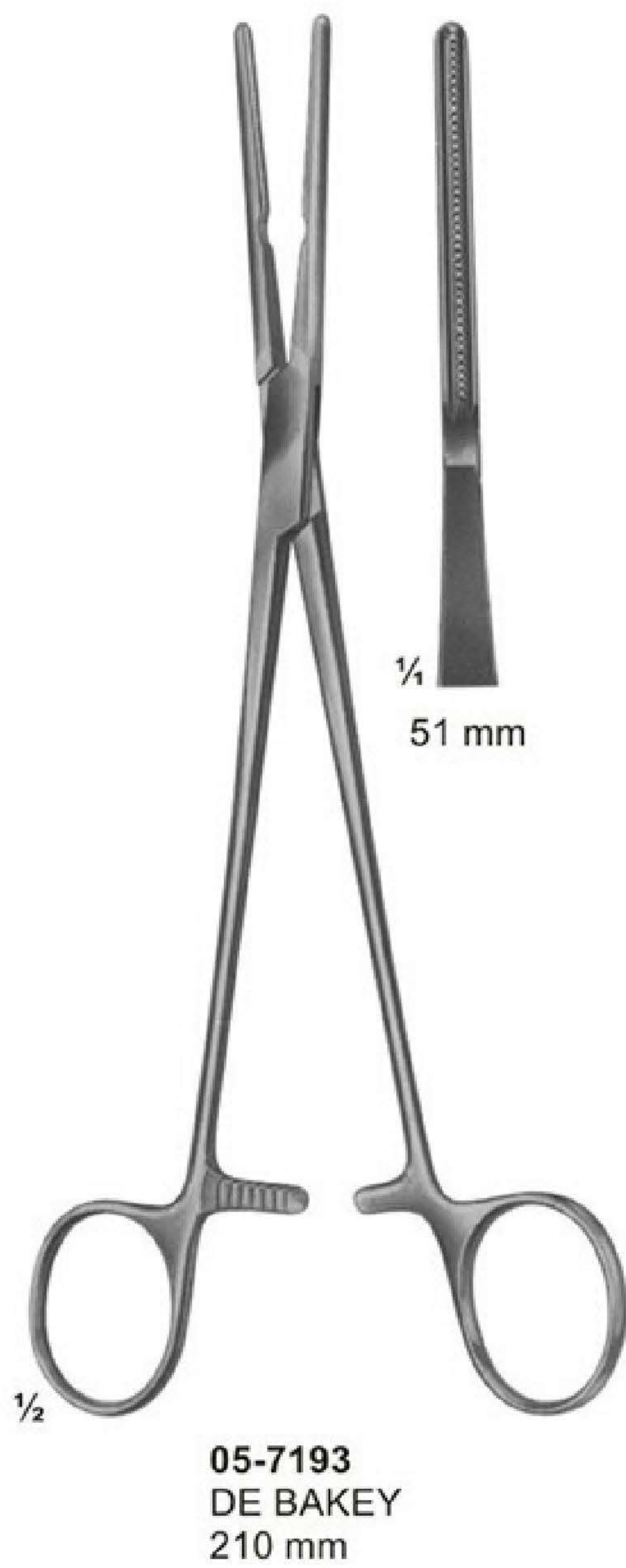
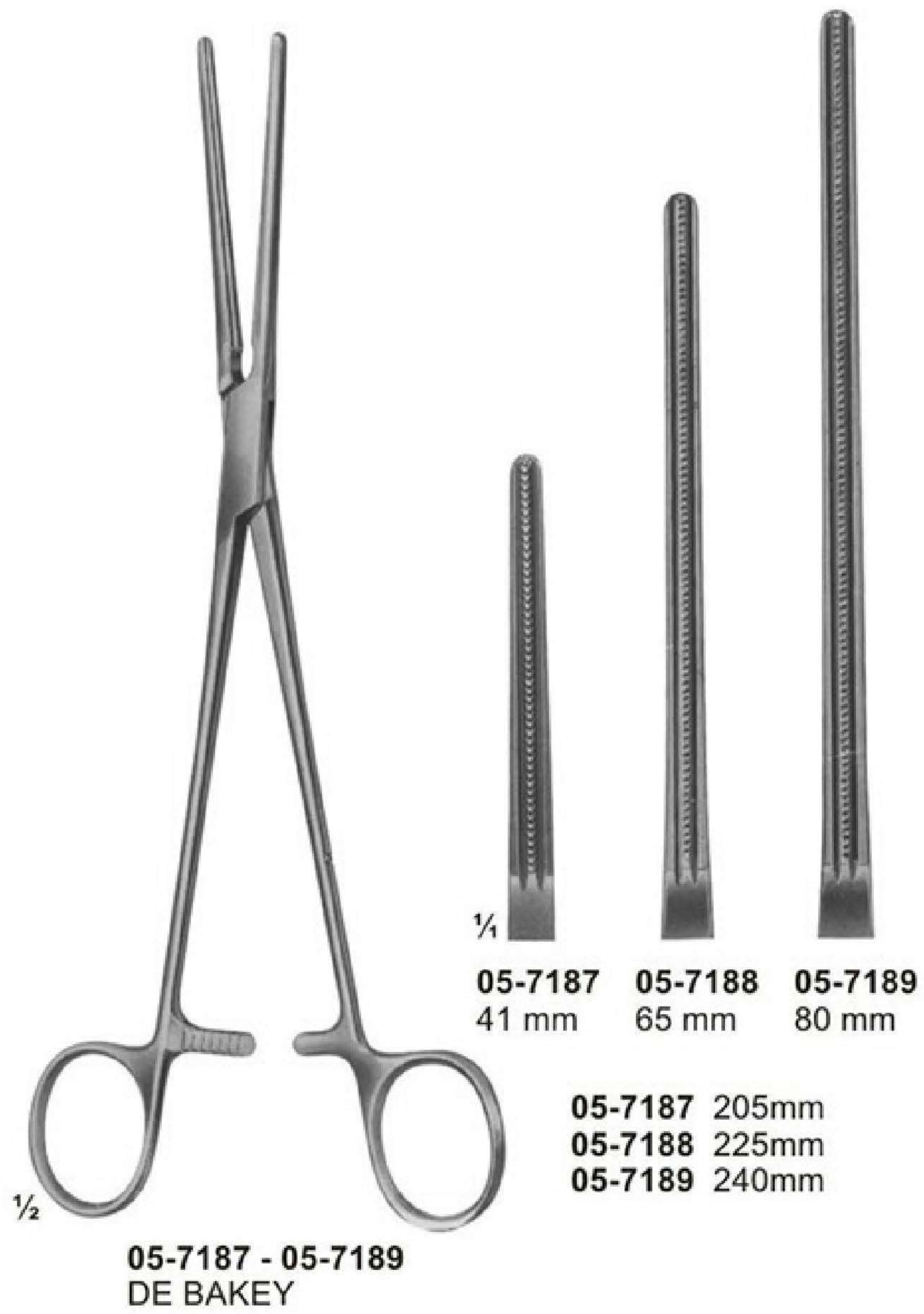
**05-7198**  
 DE BAKEY  
 180 mm



**05-7199 - 05-7200**  
 LELAND-JONES  
 190 mm



# Atraumata Coarctation Clamps, Patent-Ducts Clamps





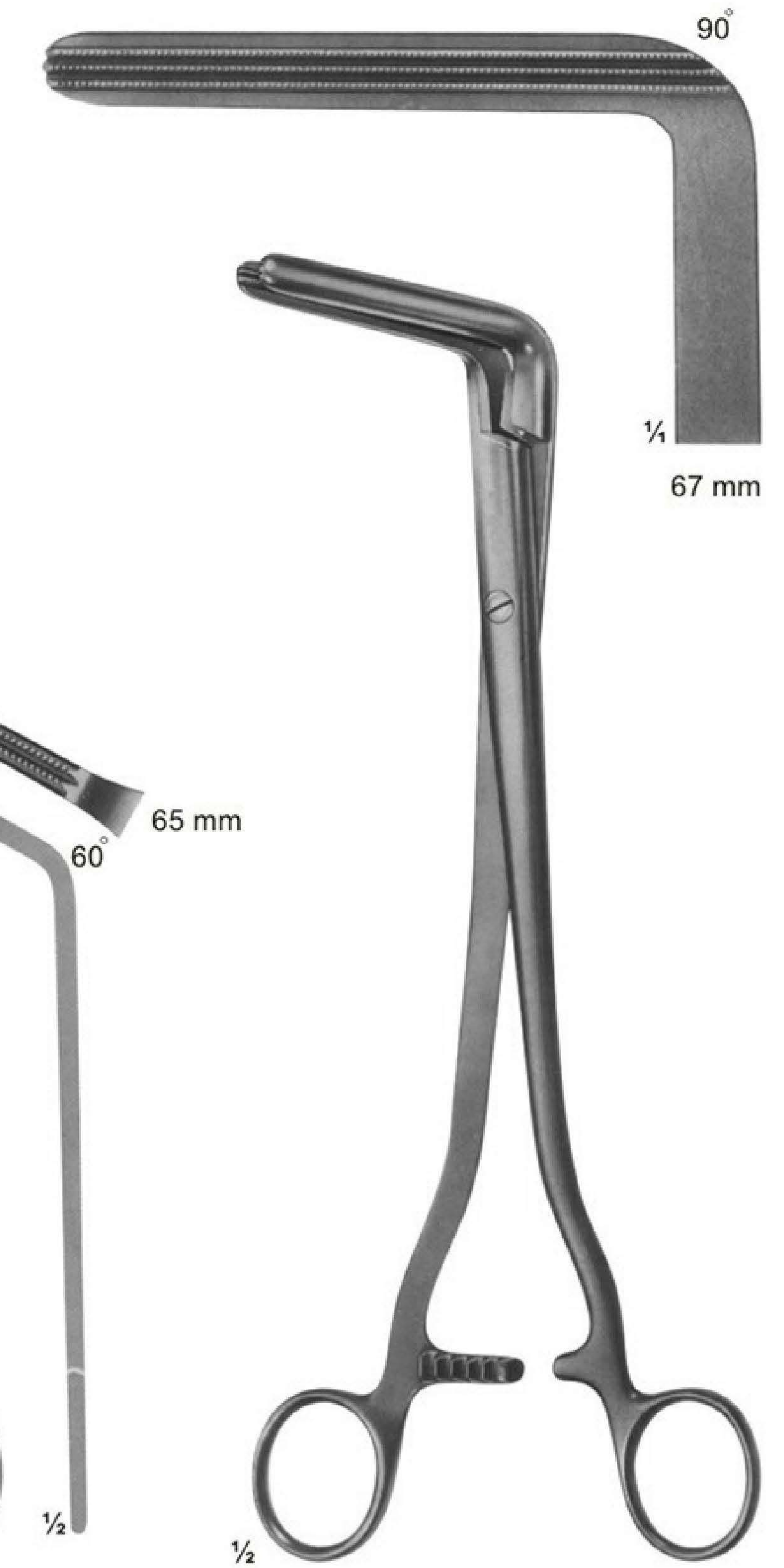
# Atraumata Peripheral Vascular And Anastomosis Clamps



**05-7201**  
LELAND-JONES  
195 mm



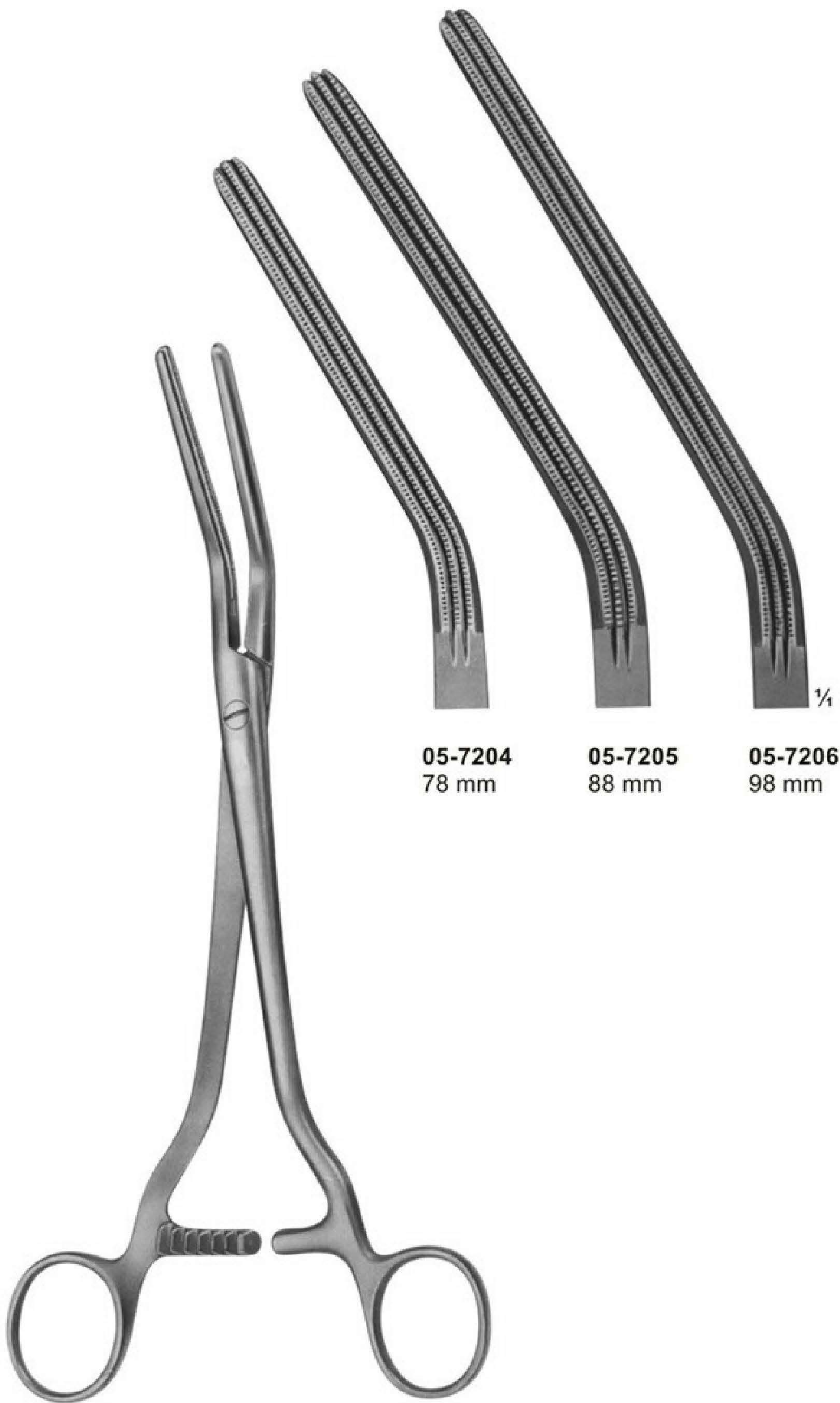
**05-7202**  
DE BAKEY  
200 mm



**05-7203**  
WERTHEIM  
250 mm



# Atraumata Anastomosis And Ascending Aotra Cross Clamps



**05-7204** 78 mm  
**05-7205** 88 mm  
**05-7206** 98 mm

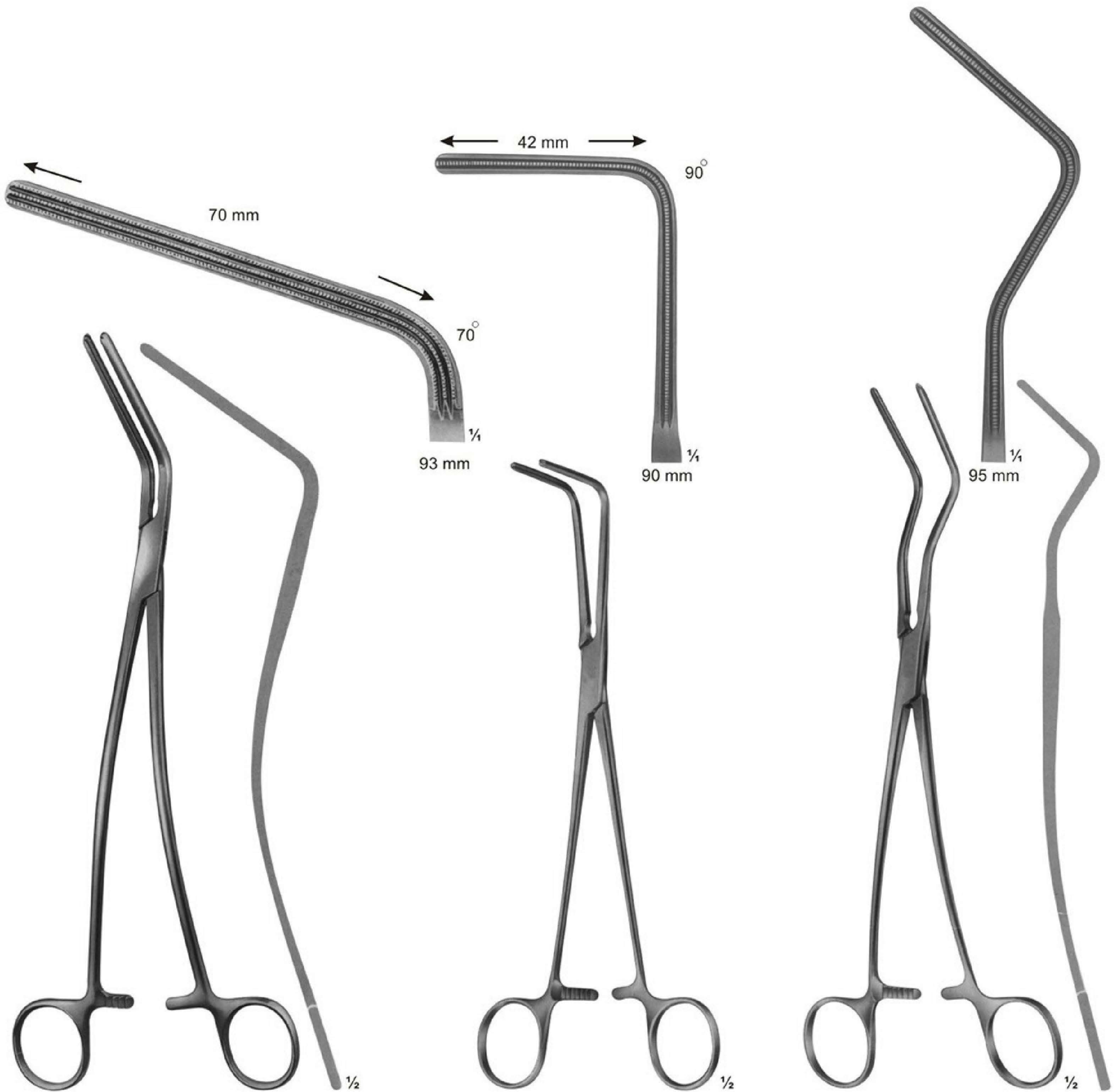
**05-7204 - 05-7206**  
DICK  
**05-7204** 255mm  
**05-7205** 265mm  
**05-7206** 275mm



**05-7207**  
MORRIS  
175 mm



# Atraumata Ascending Aorta Cross, Bronchus Clamps



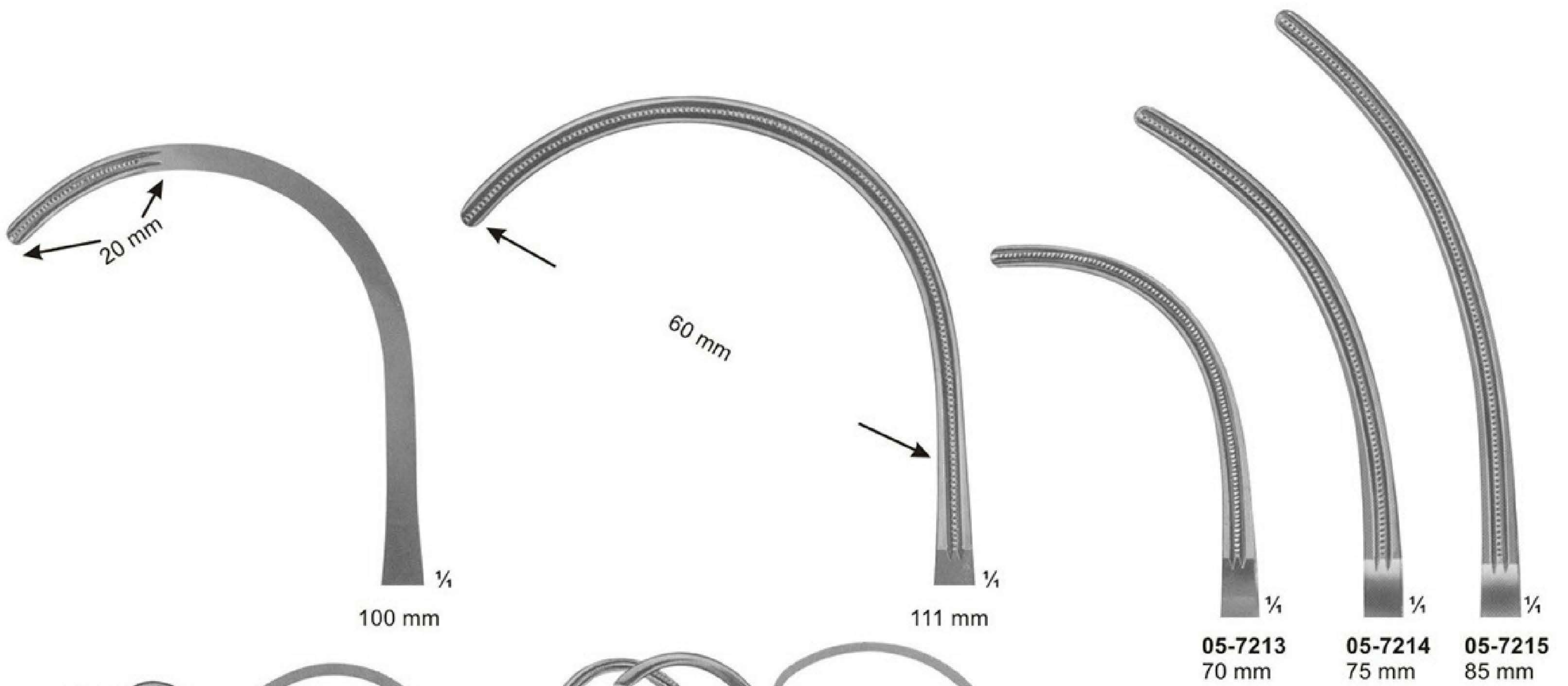
**05-7208**  
 DE BAKEY (Morris Modif)  
 240 mm

**05-7209**  
 LEES  
 220 mm

**05-7210**  
 LEES  
 245 mm



# Atraumata Aorta-Aneurysm Clamps



**05-7211**  
 DE BAKEY (Semb modif)  
 265 mm



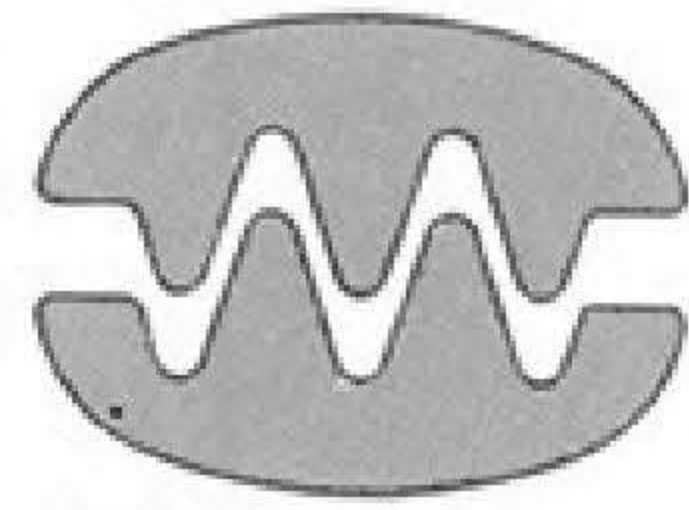
**05-7212**  
 DE BAKEY  
 270 mm



**05-7213 - 05-7215**  
 DE BAKEY  
 05-7213 255mm  
 05-7214 265mm  
 05-7215 280mm



# Atraumata Aorta-Aneurysm Clamps



2.3 Teeth Rows



**05-7216 05-7217 05-7218 05-7219**  
 95 mm 110 mm 130 mm 140 mm

**05-7216 - 05-7219**  
 DE BAKEY  
 05-7216 250mm  
 05-7217 300mm  
 07-7218 315mm  
 07-7219 330mm



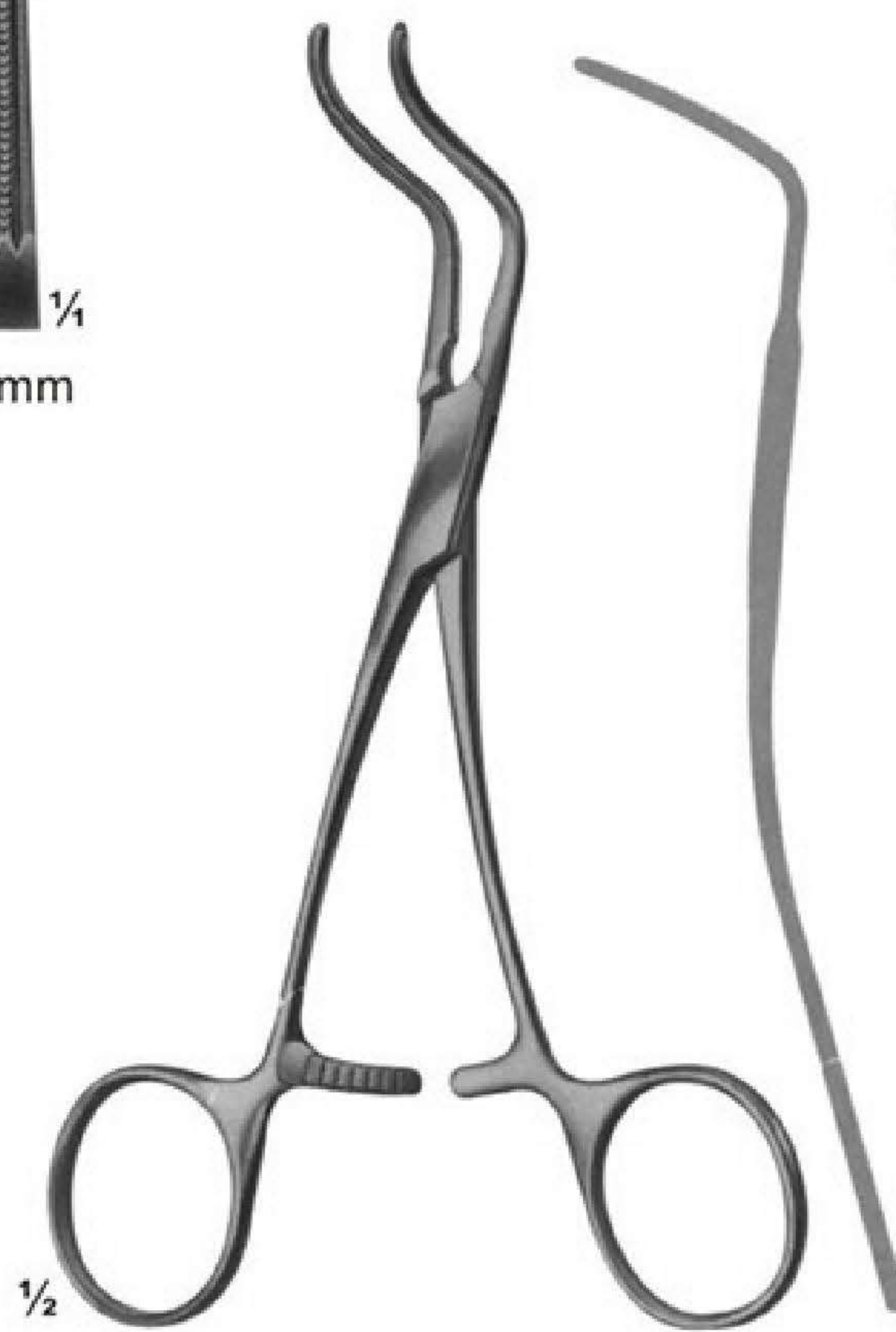
**05-7220**  
 DE BAKY  
 300 mm



# Atraumata Aorta Clamps



**05-7221**  
DIETRICH  
210 mm

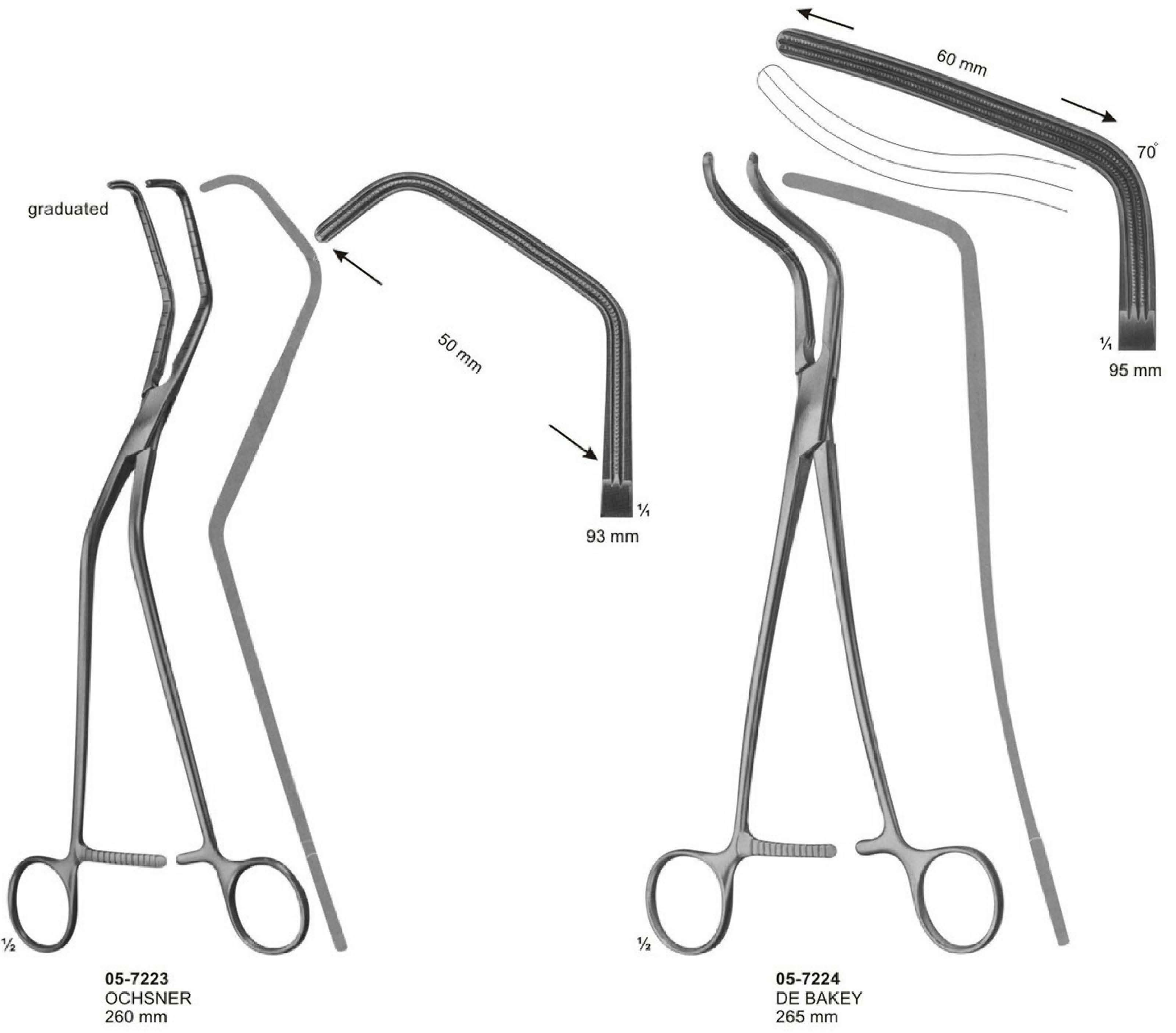


**05-7222**  
SUBRAMANIAN(Modif)  
155 mm





# Atraumata Aorta Clamps





# Atraumata Aorta-Anastomosis Clamps



**L**  
05-7225  
WEBER  
260 mm



**R**  
05-7226  
WEBER  
260 mm

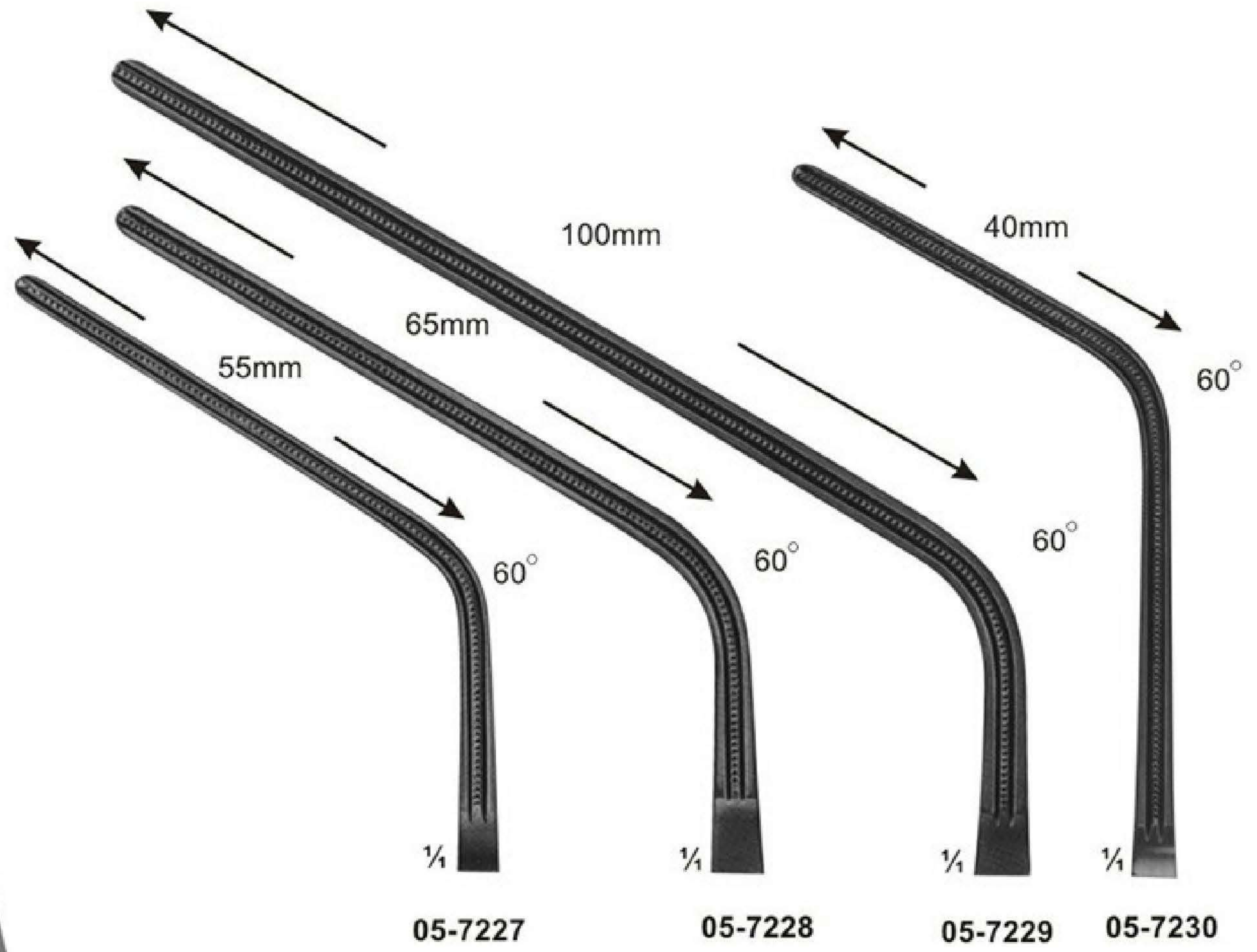


# Multi-Purpose Clamps



1/2

**05-7227 - 05-7230**  
DE BAKEY

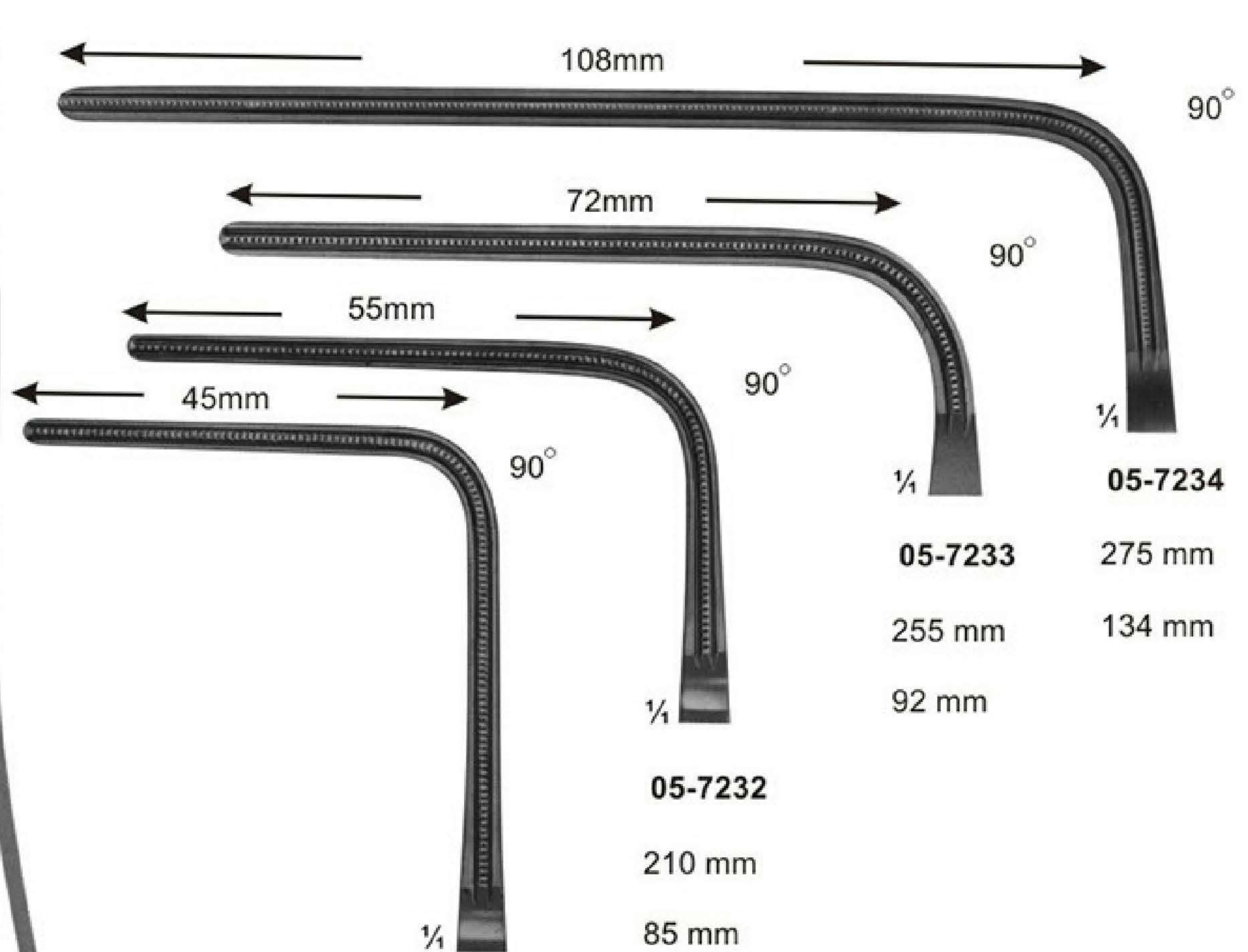


Total Length:	230 mm	280 mm	305 mm	240 mm
Length of jaws:	85 mm	100 mm	135 mm	93 mm



1/2

**05-7231 - 05-7234**  
DE BAKEY



Total Length:	225 mm	275 mm	255 mm	92 mm
Length of jaws:	93 mm	134 mm	85 mm	



# Ring Handle Bulldog Clamps Anastomosis Clamps, Pediatric Types



**05-7235**  
 50mm

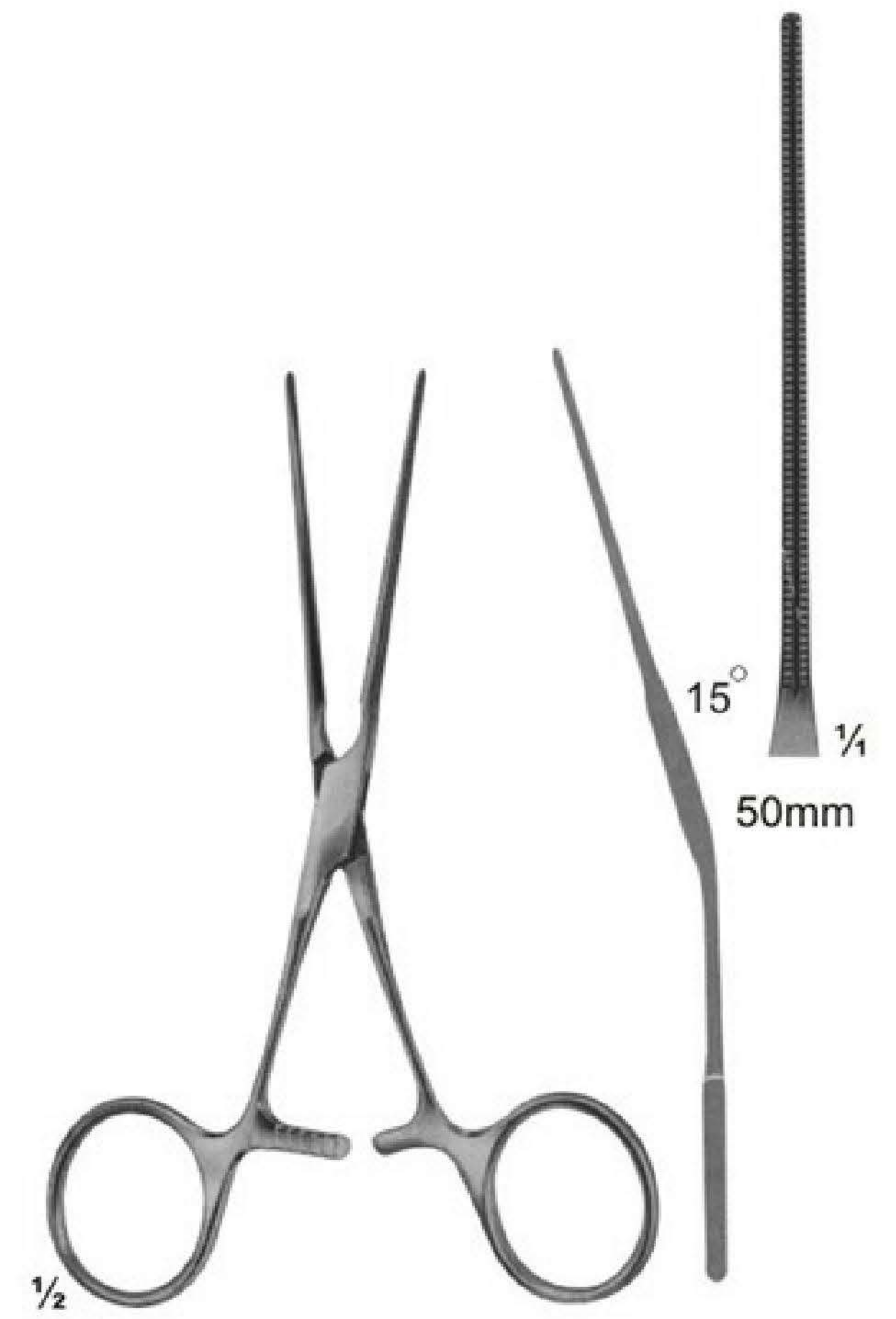


**05-7236**  
 50mm

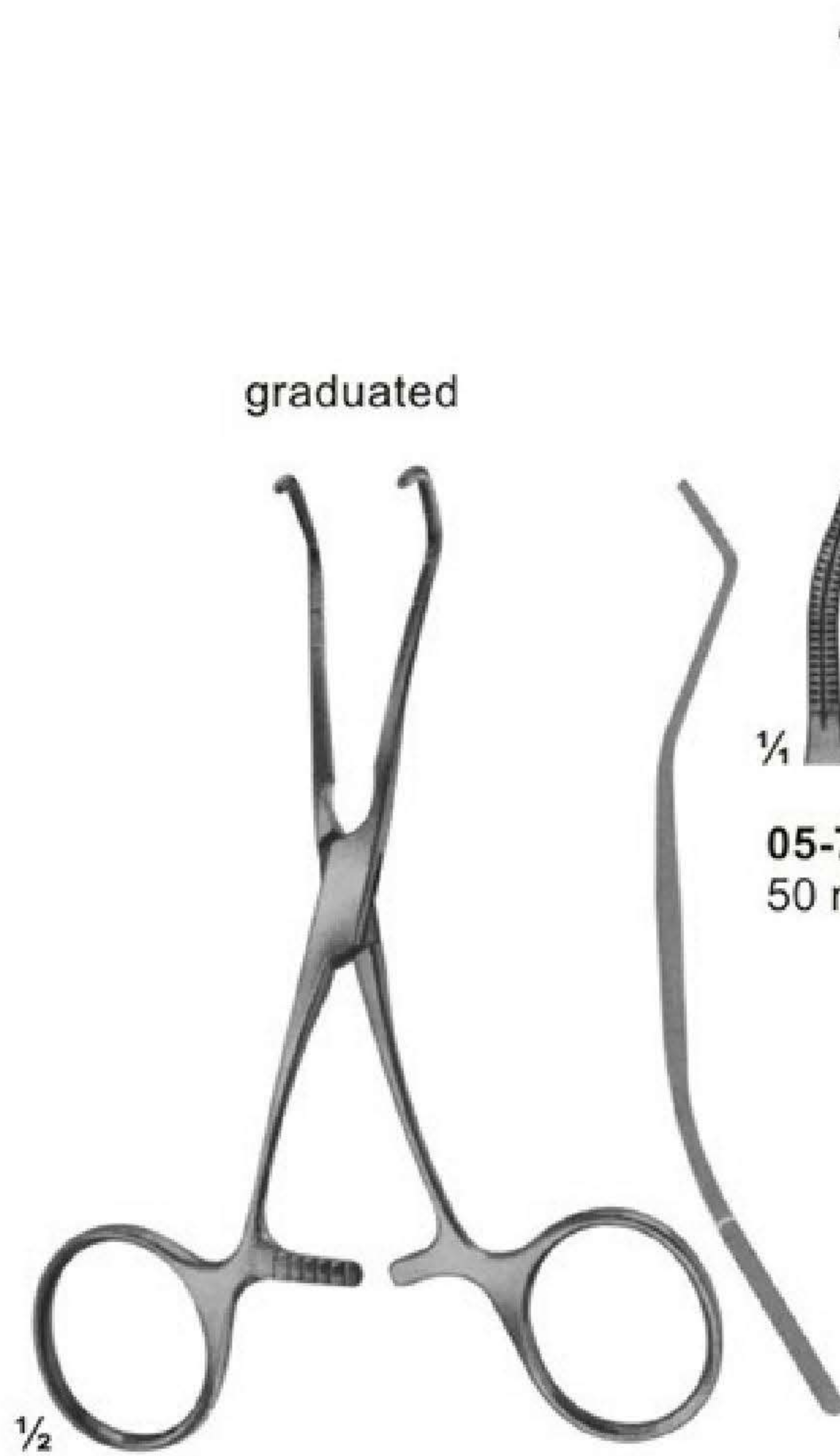
**05-7235 - 05-7236**  
 COOLEY  
 125 mm, 115 mm



**05-7237**  
 COOLEY  
 100 mm

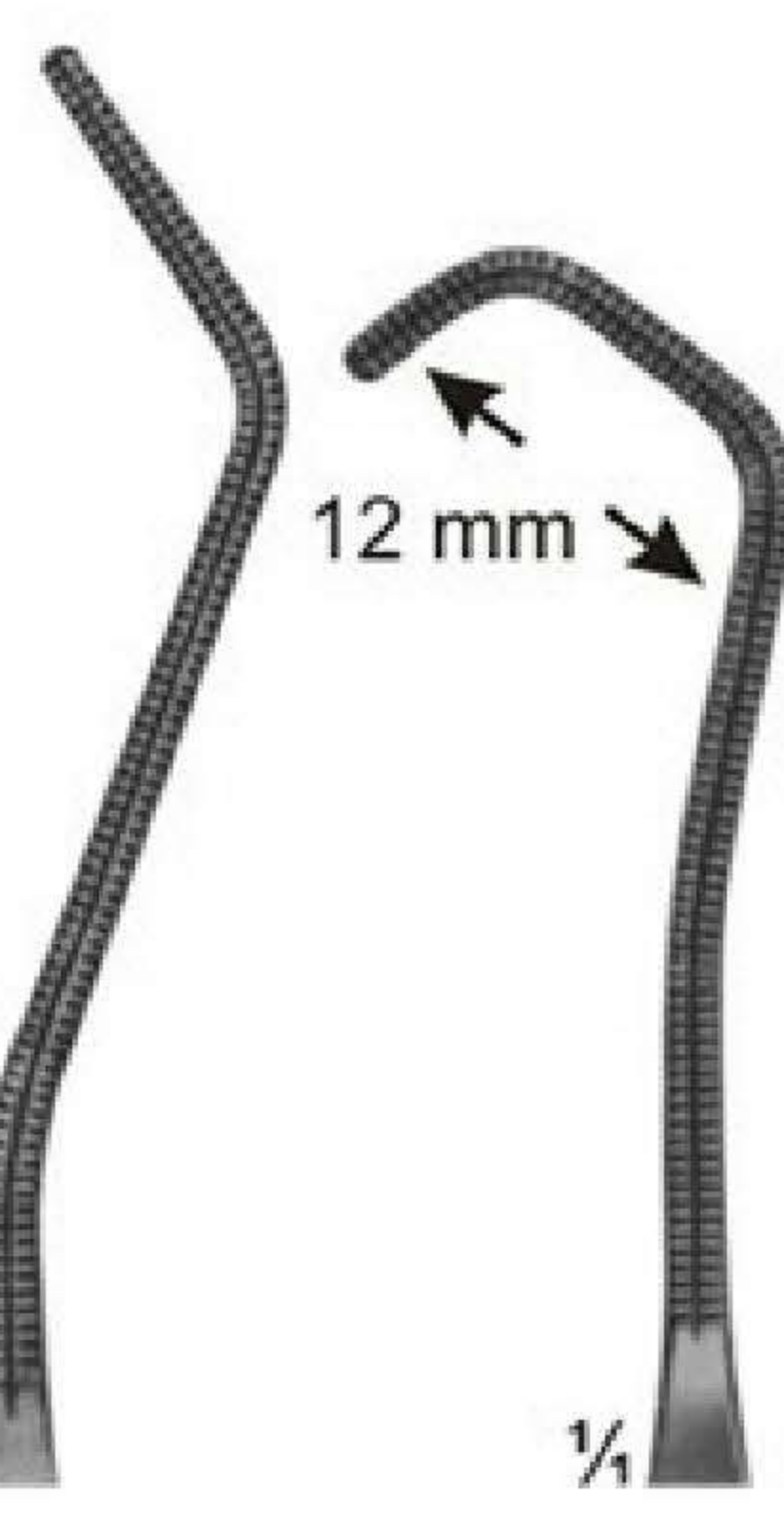


**05-7238**  
 COOLEY  
 125 mm



graduated

**05-7239**  
 50 mm



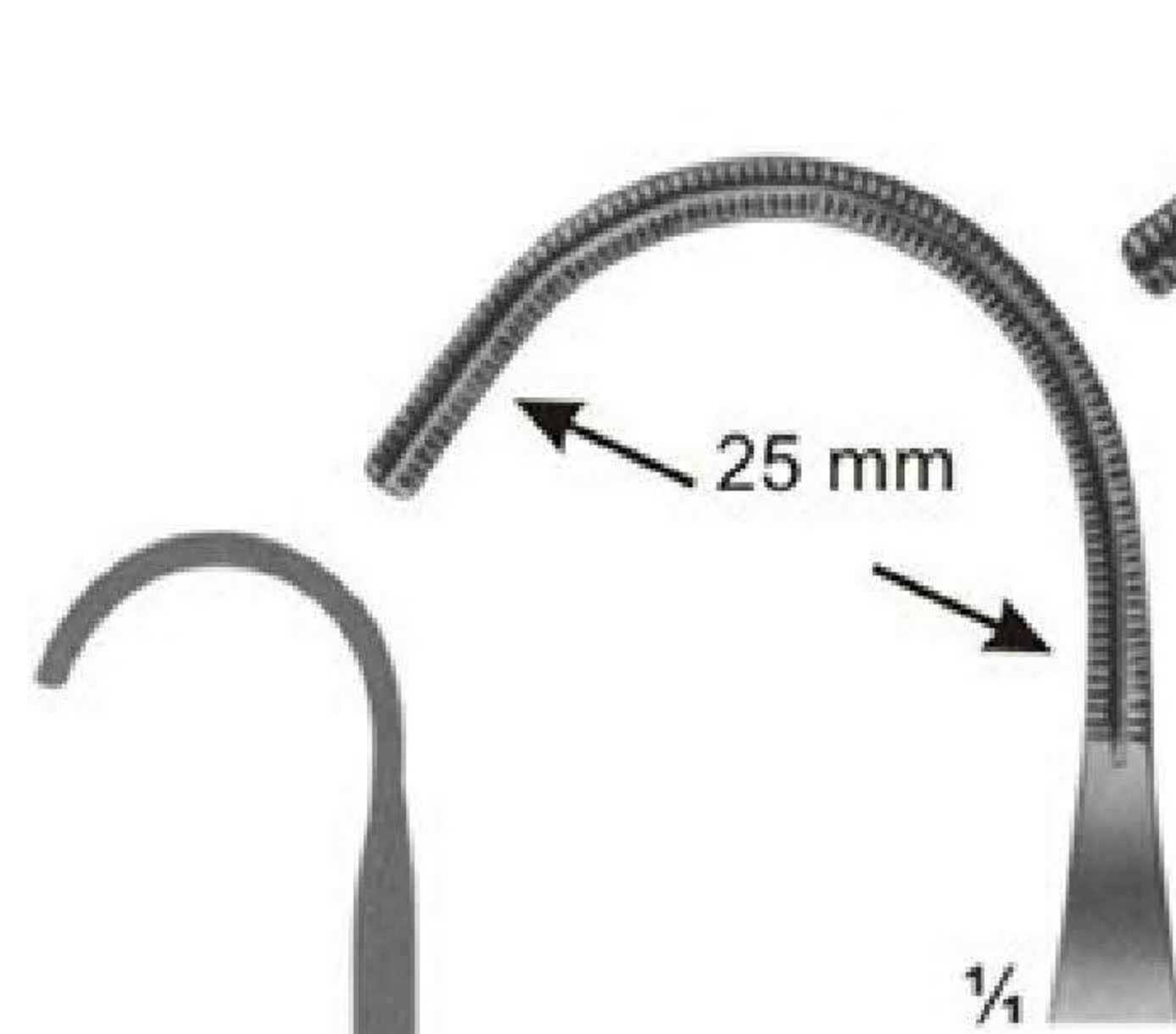
**05-7240**  
 50 mm

**05-7239 - 05-7240**  
 COOLEY  
 120 mm, 115 mm

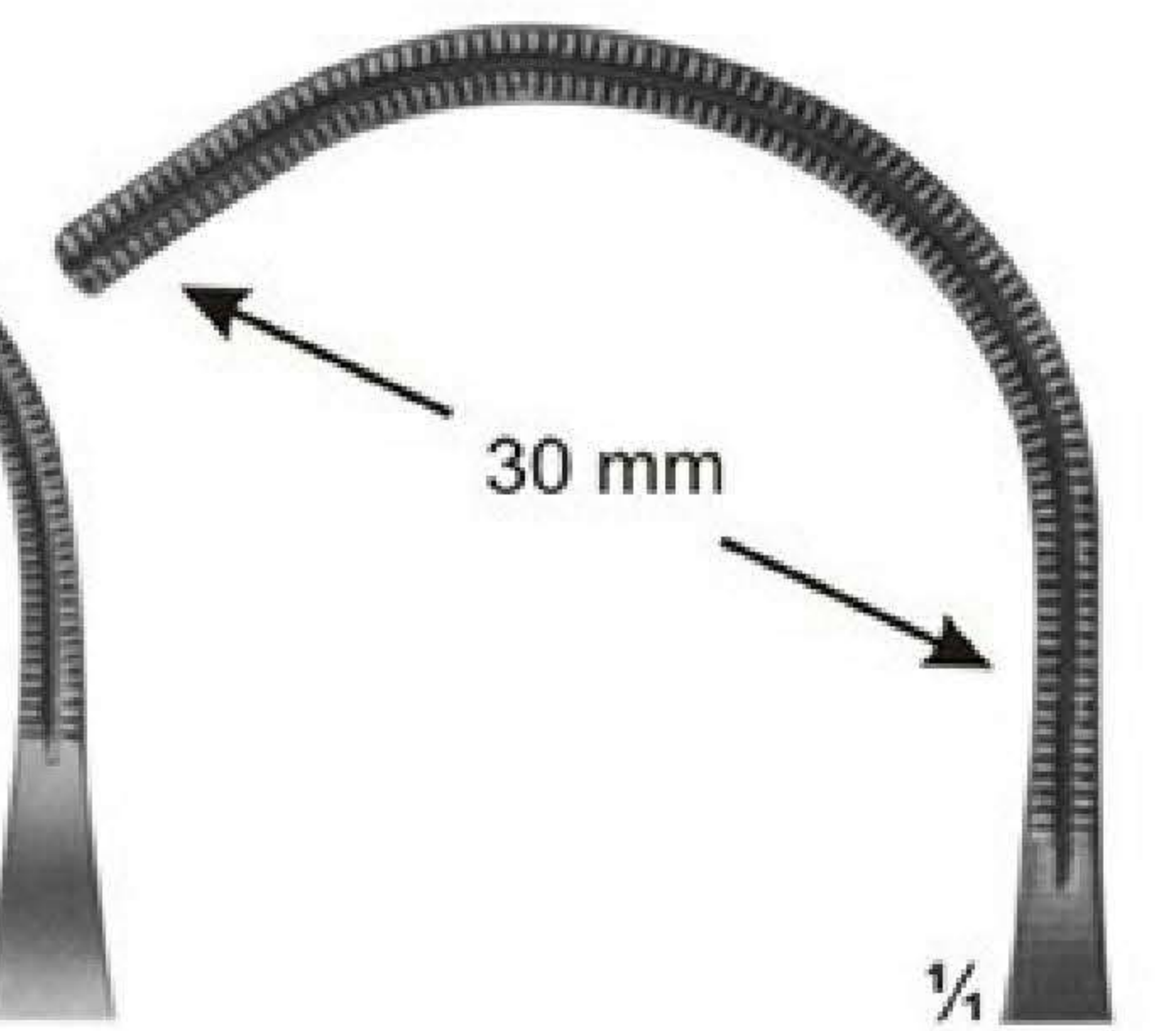


graduated

**05-7241 - 05-7242**  
 COOLEY-BECK  
 150 mm, 155 mm



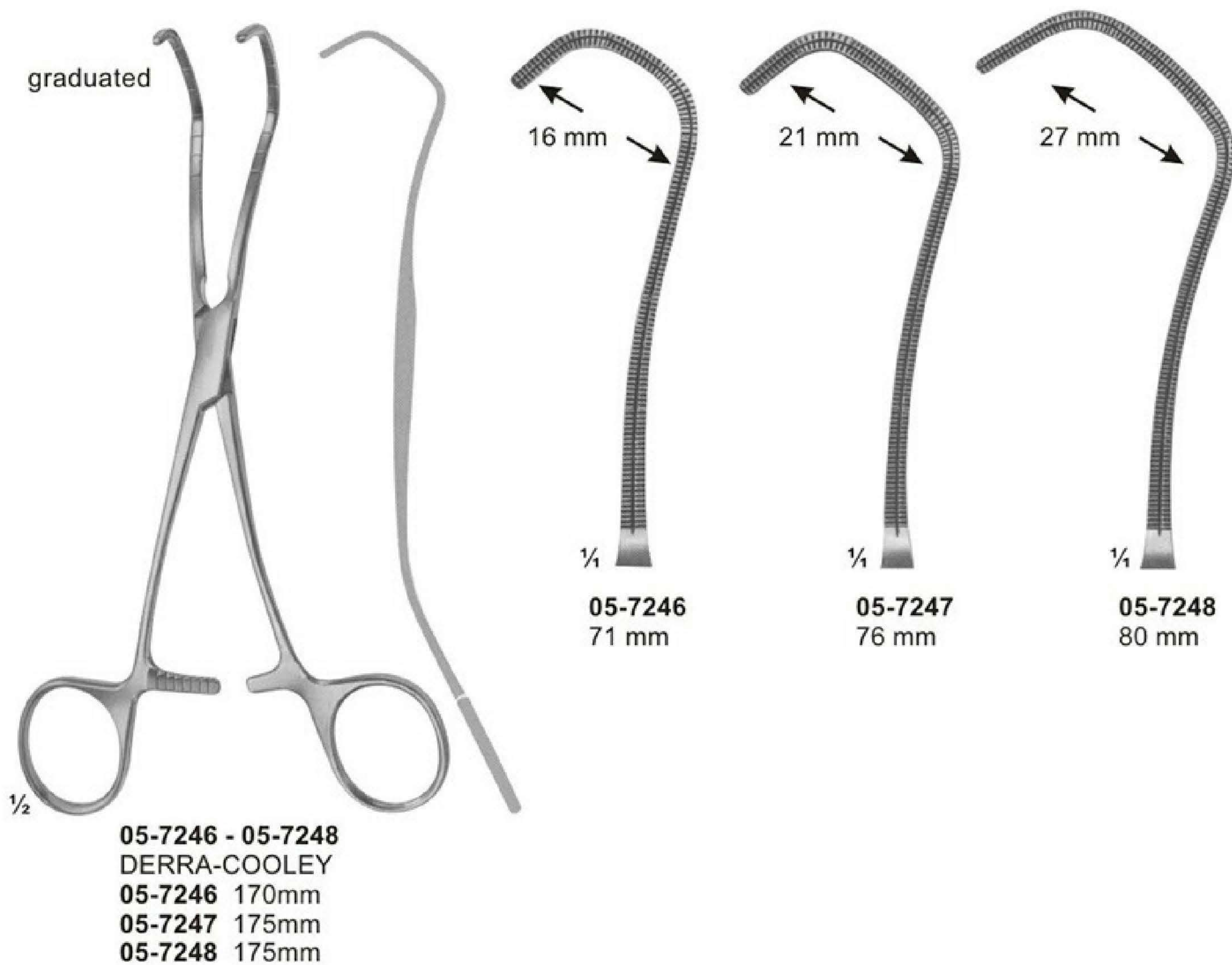
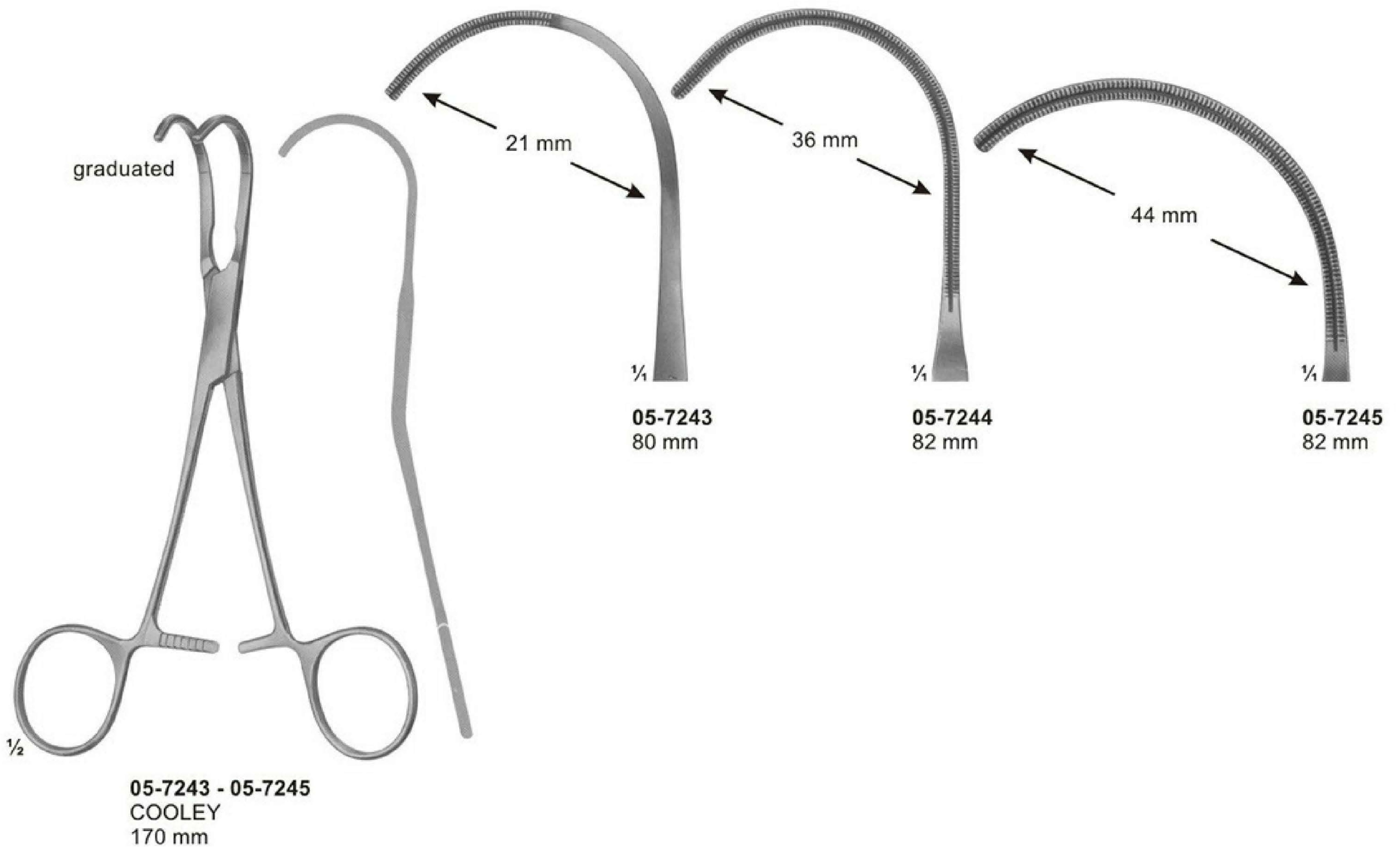
**05-7241**  
 56 mm



**05-7242**  
 63 mm

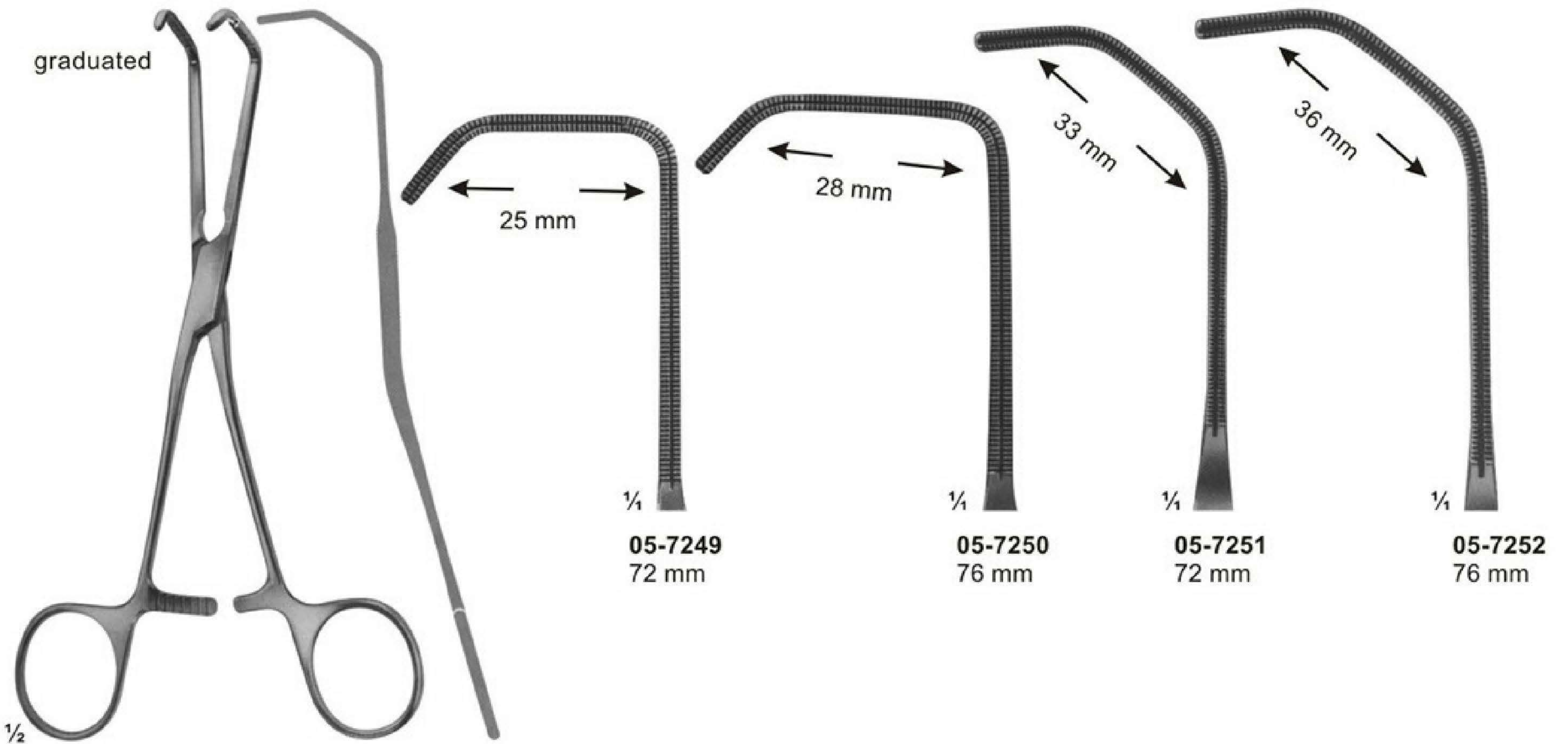


# Anastomosis Clamps, Pediatric Types

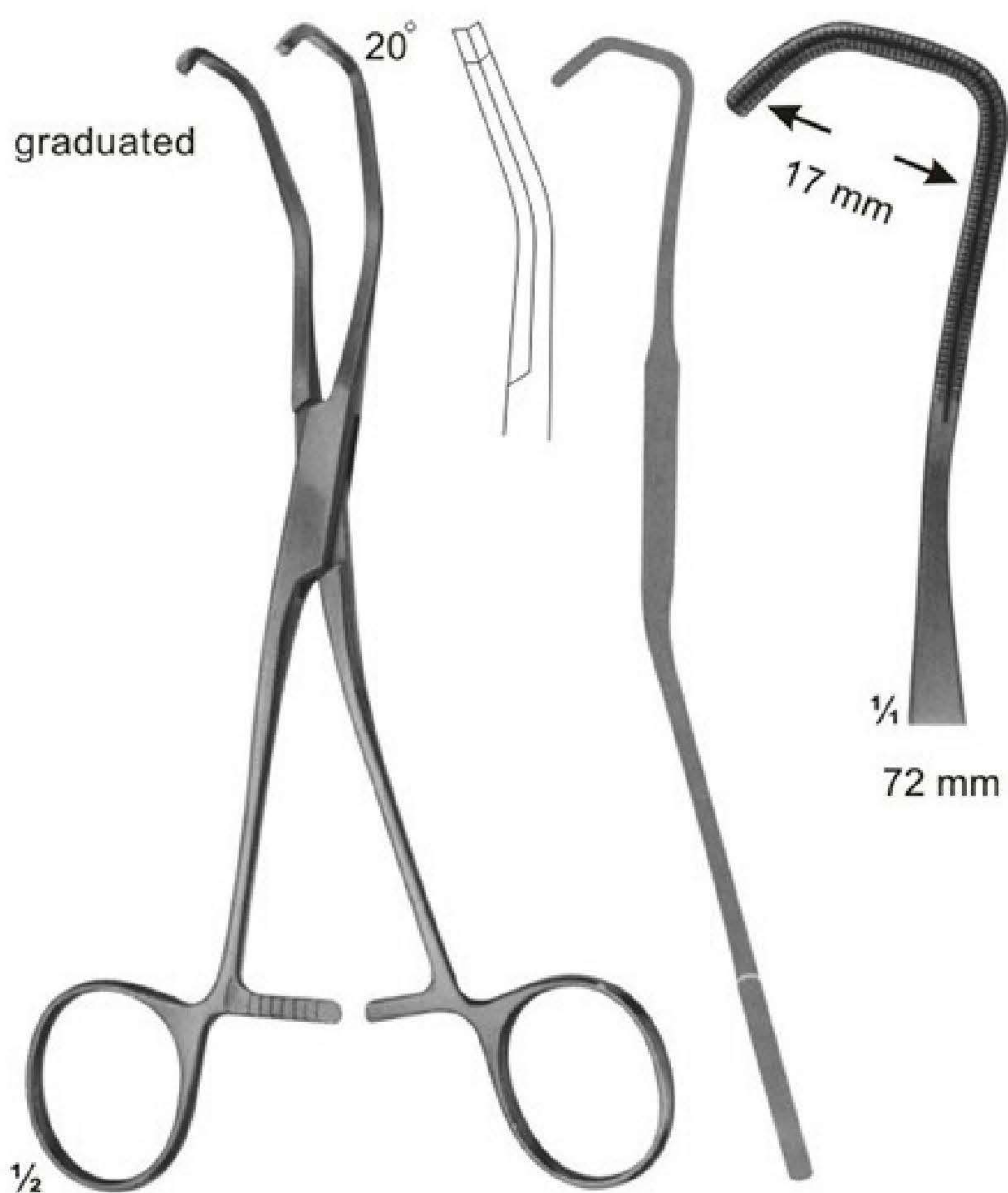




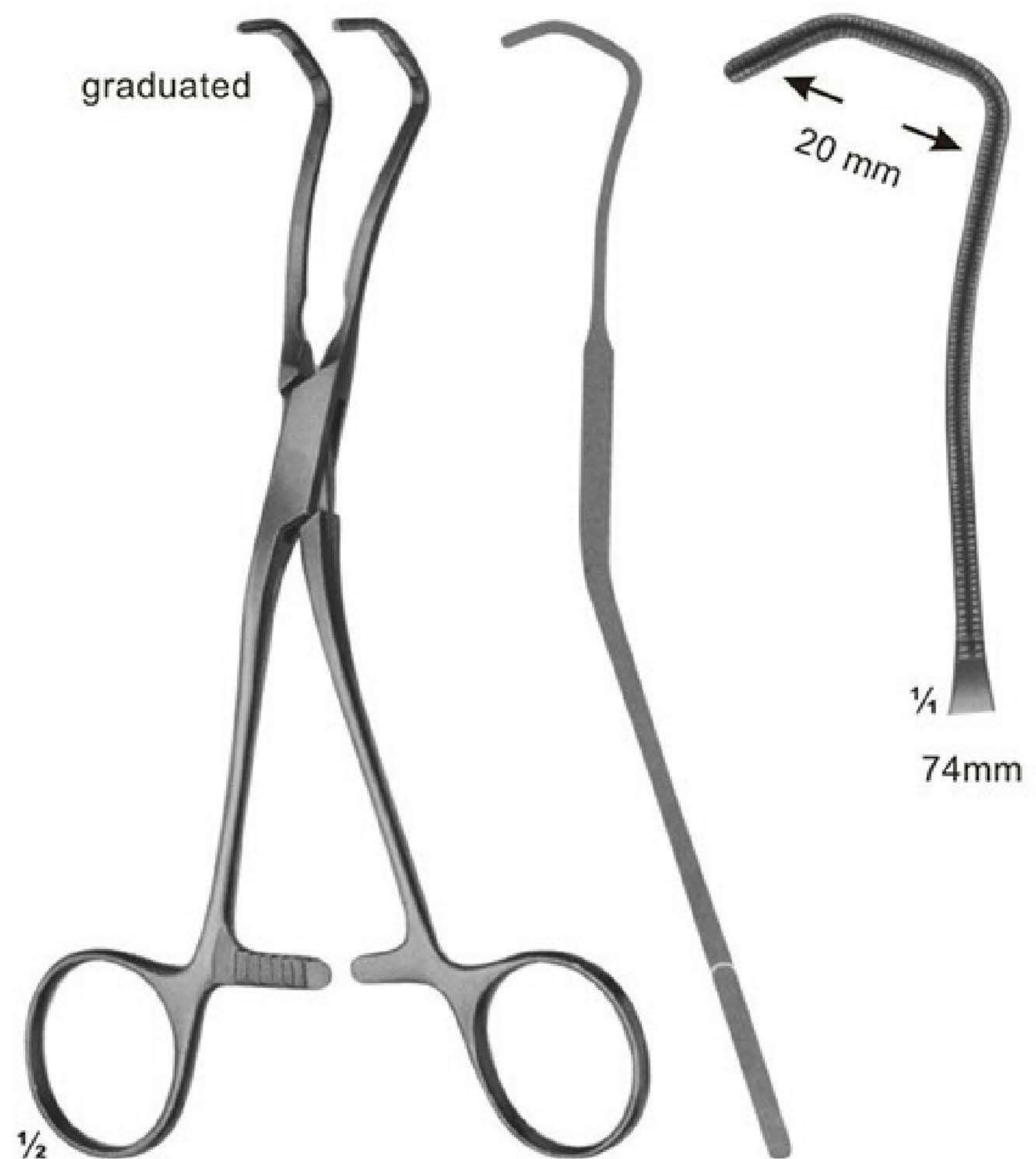
# Anastomosis Clamps Multi-Purpose Clamps Pediatric Types



**05-7249 - 05-7252**  
COOLEY  
05-7249 165mm  
05-7250 165mm  
05-7251 175mm  
05-7252 180mm



**05-7253**  
COOLEY  
170 mm

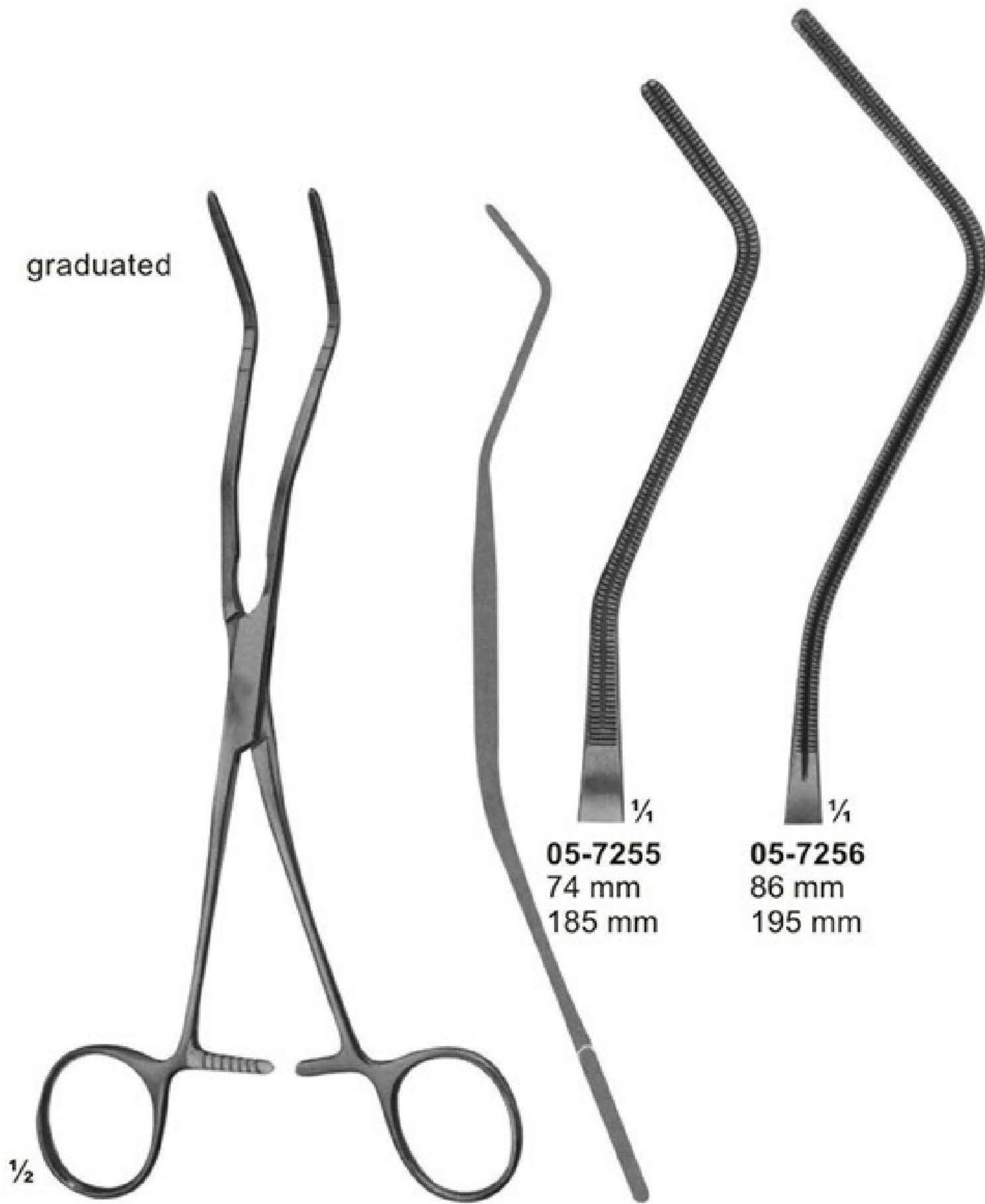


**05-7254**  
COOLEY  
175 mm



# Multi-Purpose Clamps, Pediatric Types

graduated



**05-7255**  
 74 mm  
 185 mm

**05-7256**  
 86 mm  
 195 mm

**05-7255 - 05-7256**  
 COOLEY

graduated

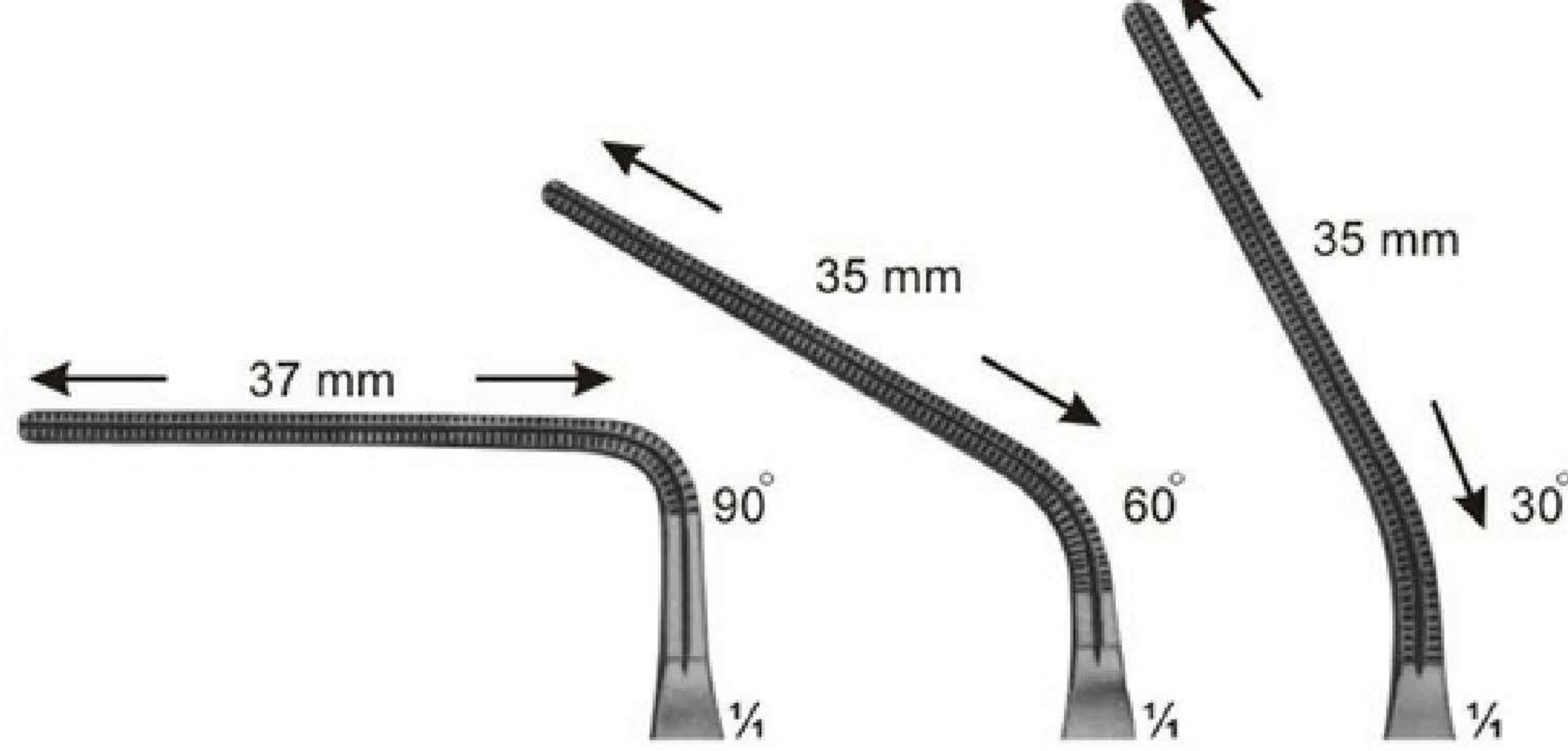


**05-7257**  
 COOLEY  
 260 mm

graduated



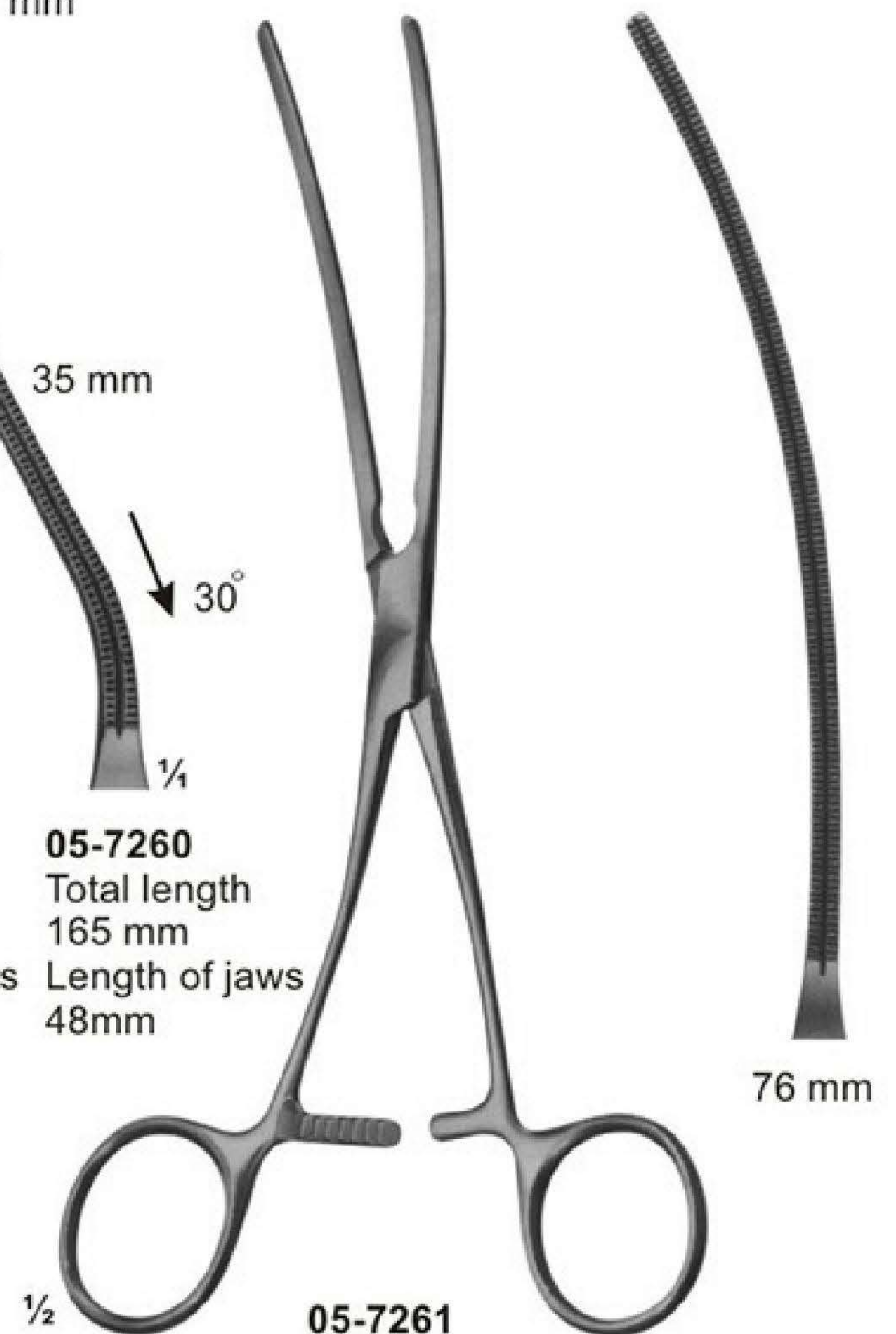
**05-7258 - 05-7260**  
 COOLEY



**05-7258**  
 Total length  
 150 mm  
 Length of jaws  
 56mm

**05-7259**  
 Total length  
 160 mm  
 Length of jaws  
 52mm

**05-7260**  
 Total length  
 165 mm  
 Length of jaws  
 48mm

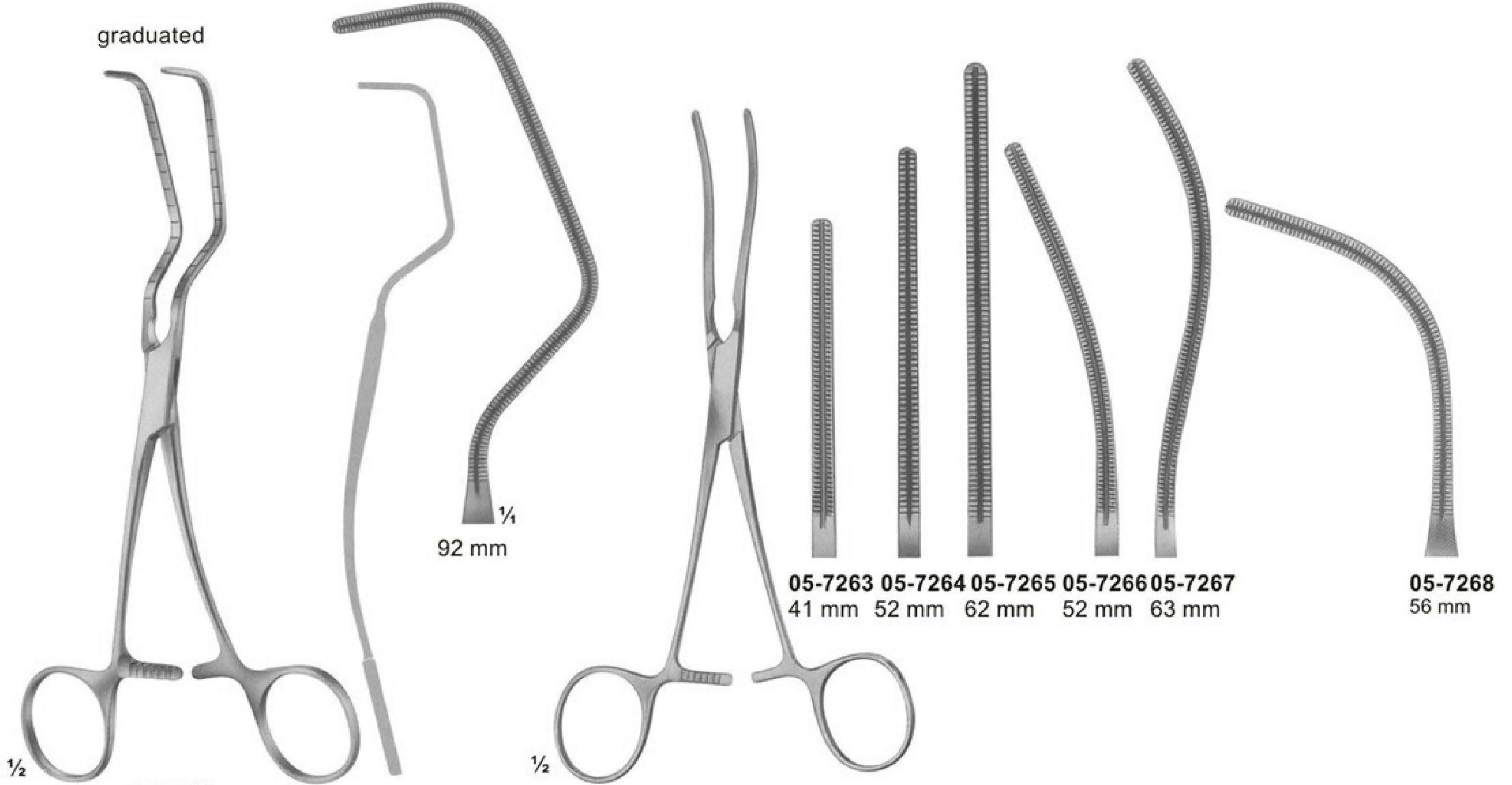


**05-7261**  
 COOLEY  
 190 mm

76 mm

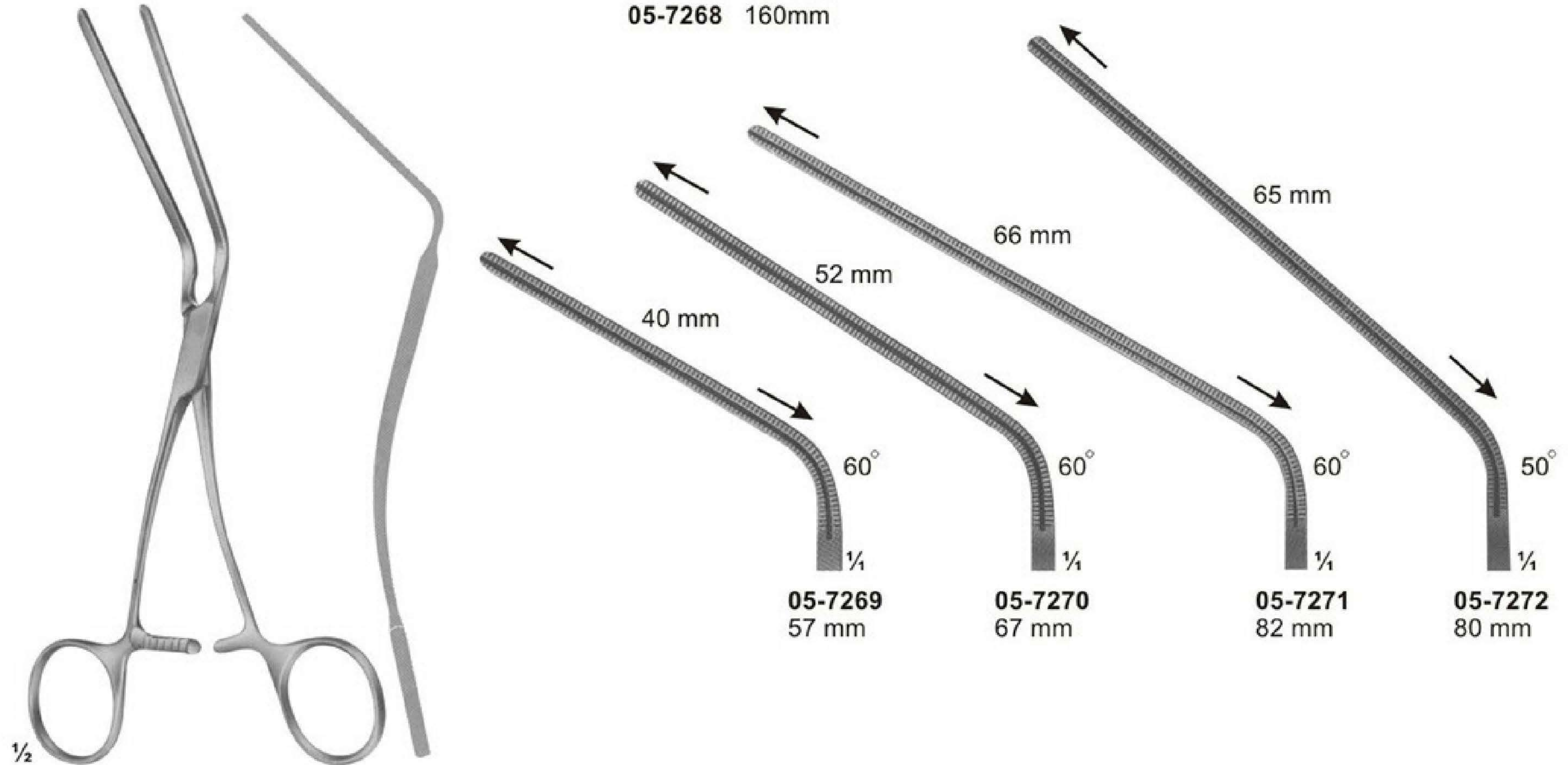


# Atraumata Aorta Clamps, Patent-Ductus Clamps, Coarctation Clamps Pediatric Types



**05-7262**  
PARRY-COOLEY  
185 mm

**05-7263 - 05-7268**  
COOLEY  
05-7263 160mm  
05-7264 170mm  
05-7265 180mm  
05-7266 180mm  
05-7267 180mm  
05-7268 160mm



**05-7269 - 05-7272**  
05-7269 165mm  
05-7270 170mm  
05-7271 185mm  
05-7272 185mm

**05-7269** 57 mm  
**05-7270** 67 mm  
**05-7271** 82 mm  
**05-7272** 80 mm



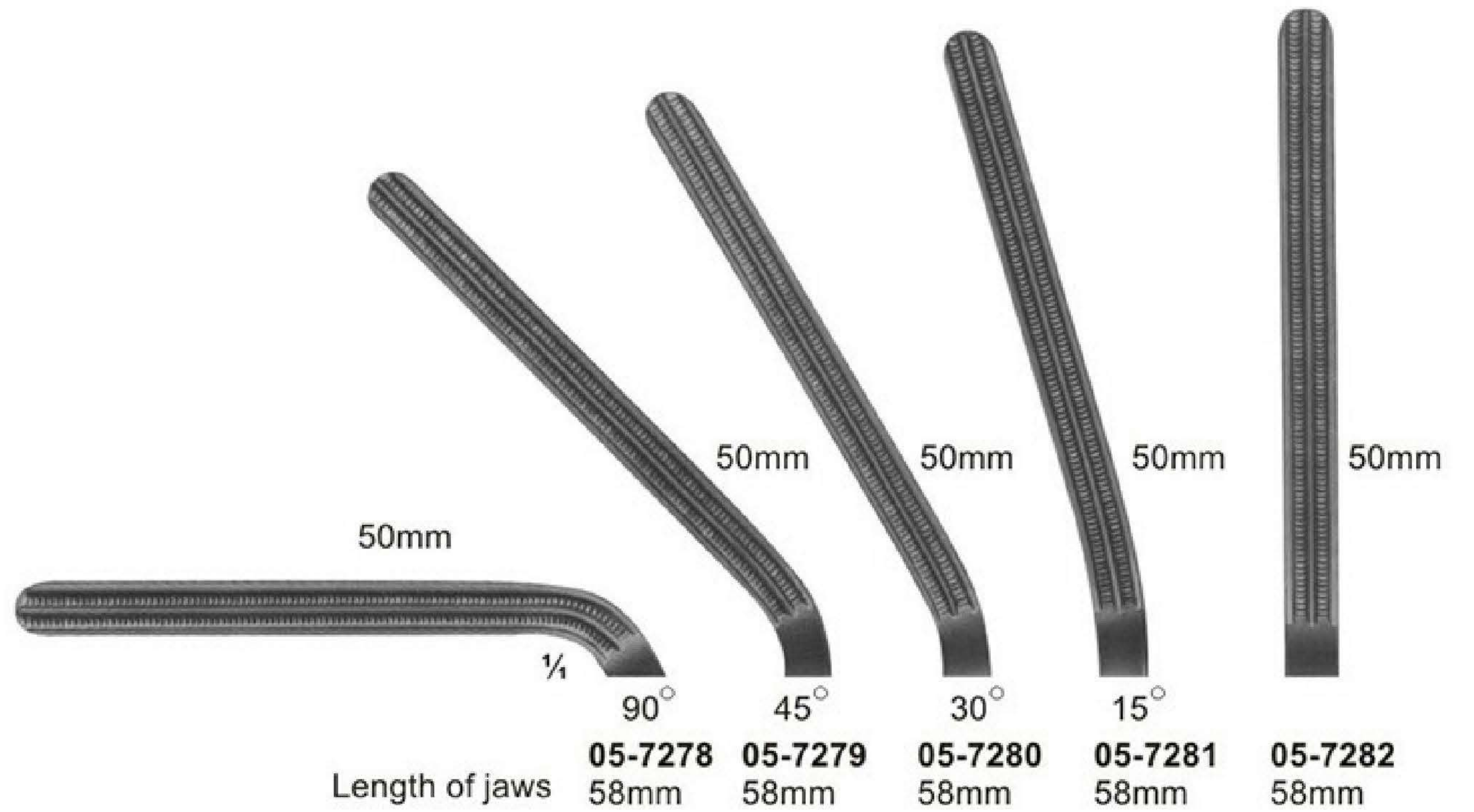
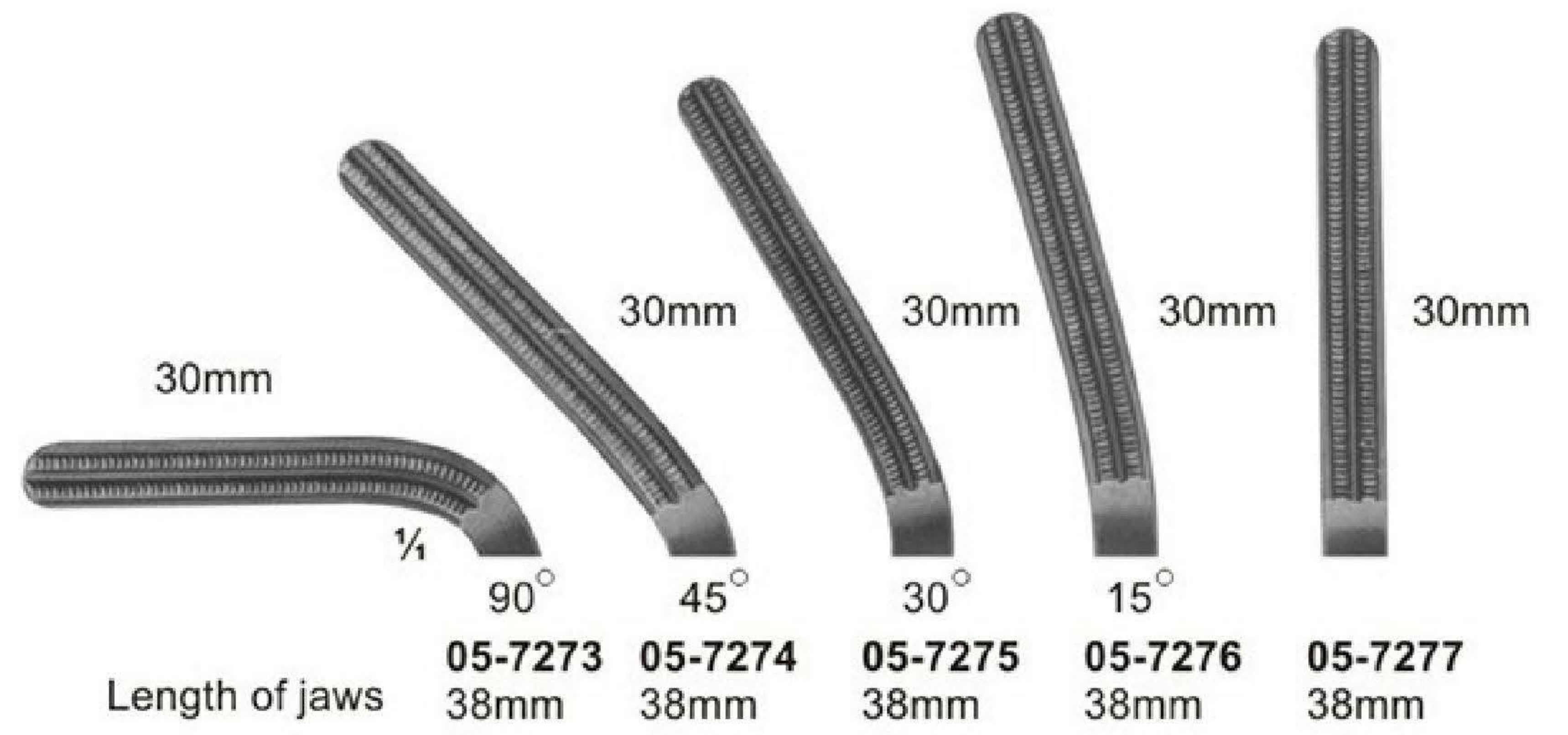
# Multi-Purpose Clamps



05-7273 - 05-7282

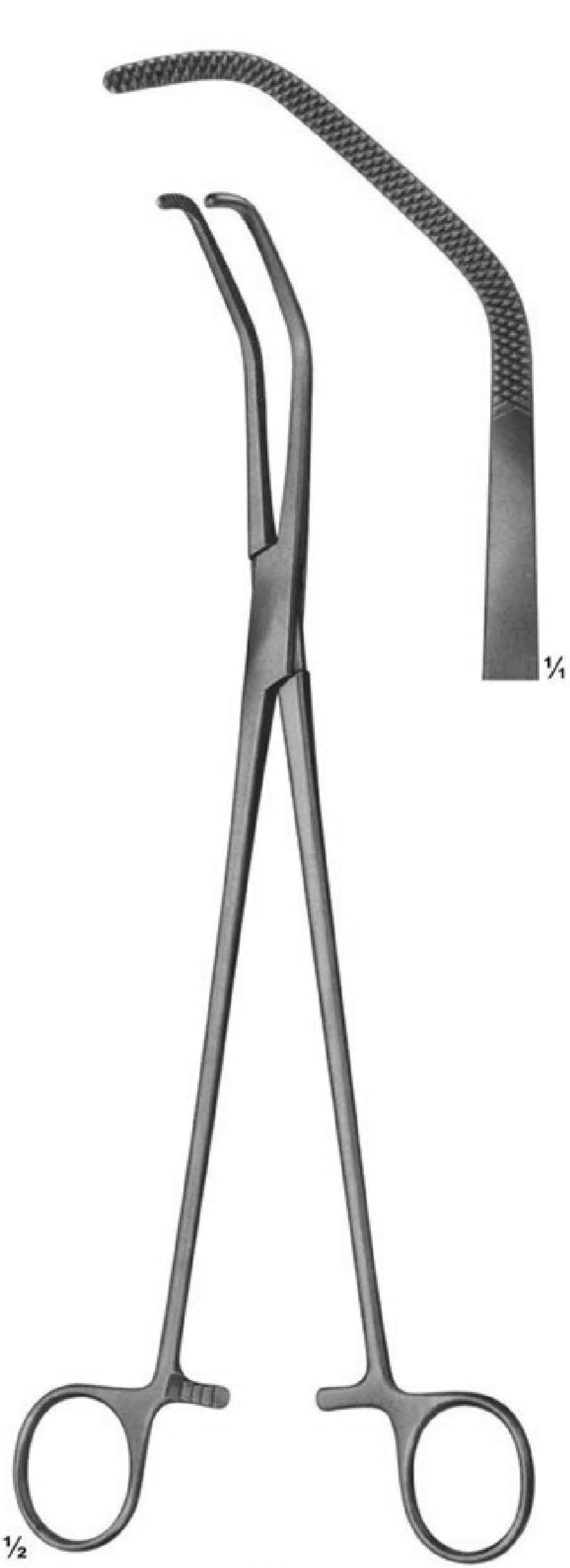
DARDIK

05-7273	150 mm	05-7278	170 mm
05-7274	150 mm	05-7279	170 mm
05-7275	150 mm	05-7280	170 mm
05-7276	145 mm	05-7281	160 mm
05-7277	130 mm	05-7282	135 mm

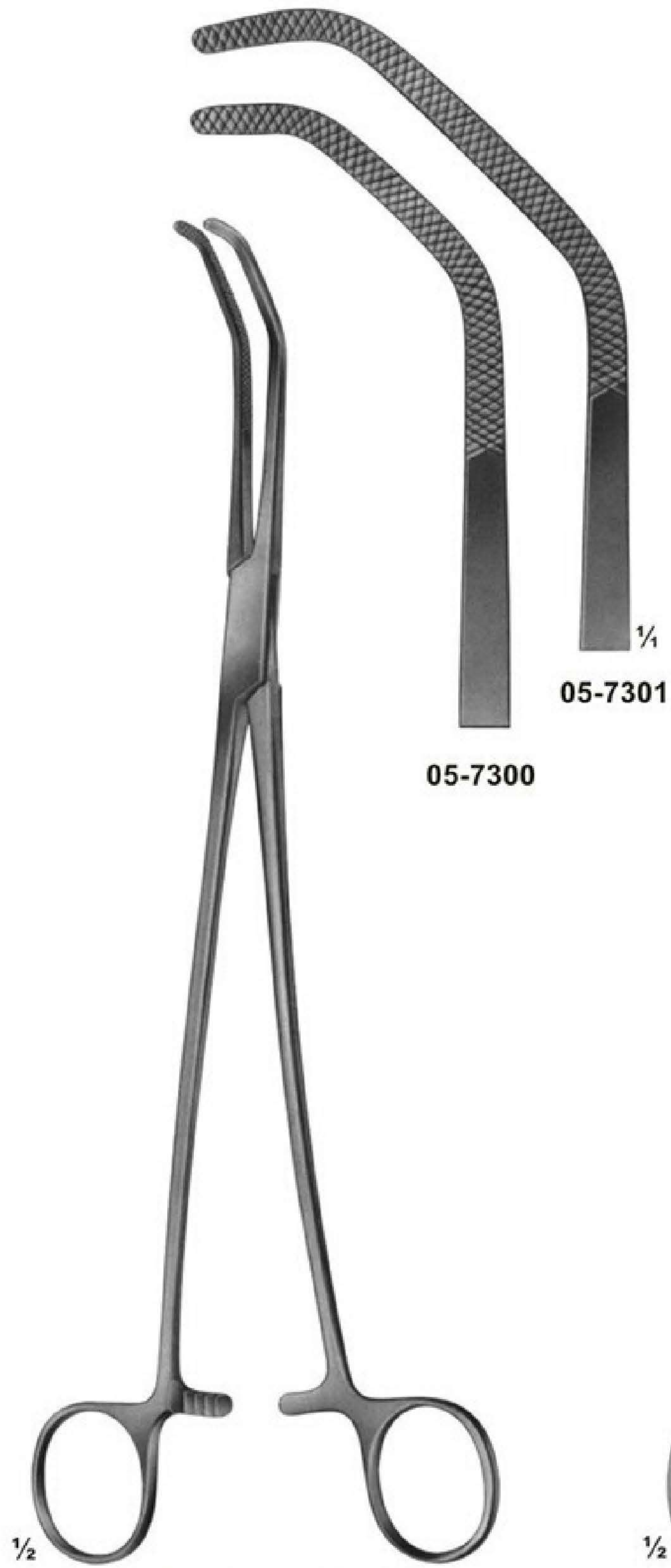




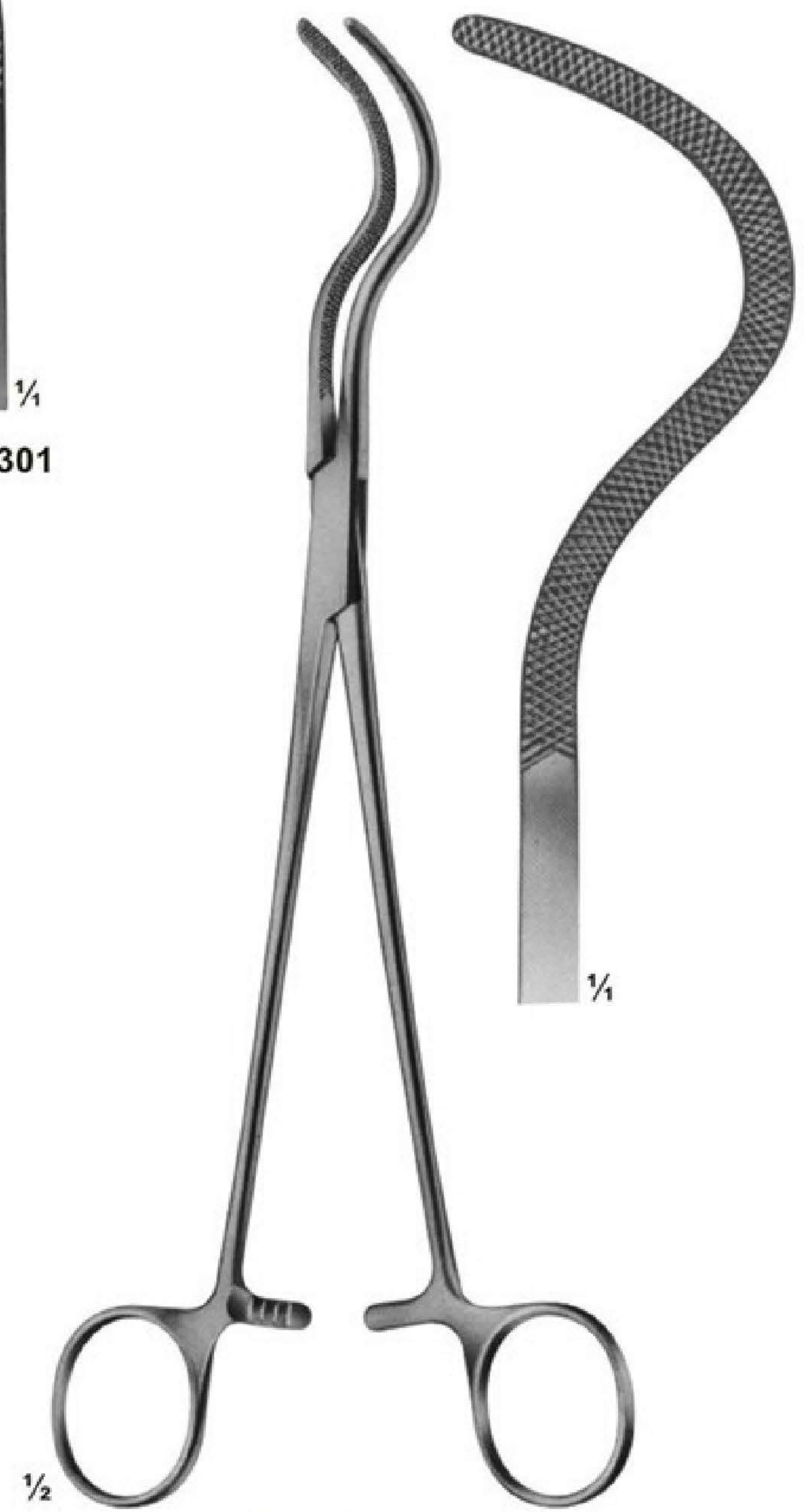
# Vena Cava Clamps



**05-7299**  
 SATINSKY  
 Anastomosis clamps  
 265 mm



**05-7300 - 05-7301**  
 SATINSKY  
 Anastomosis clamps  
 265 mm



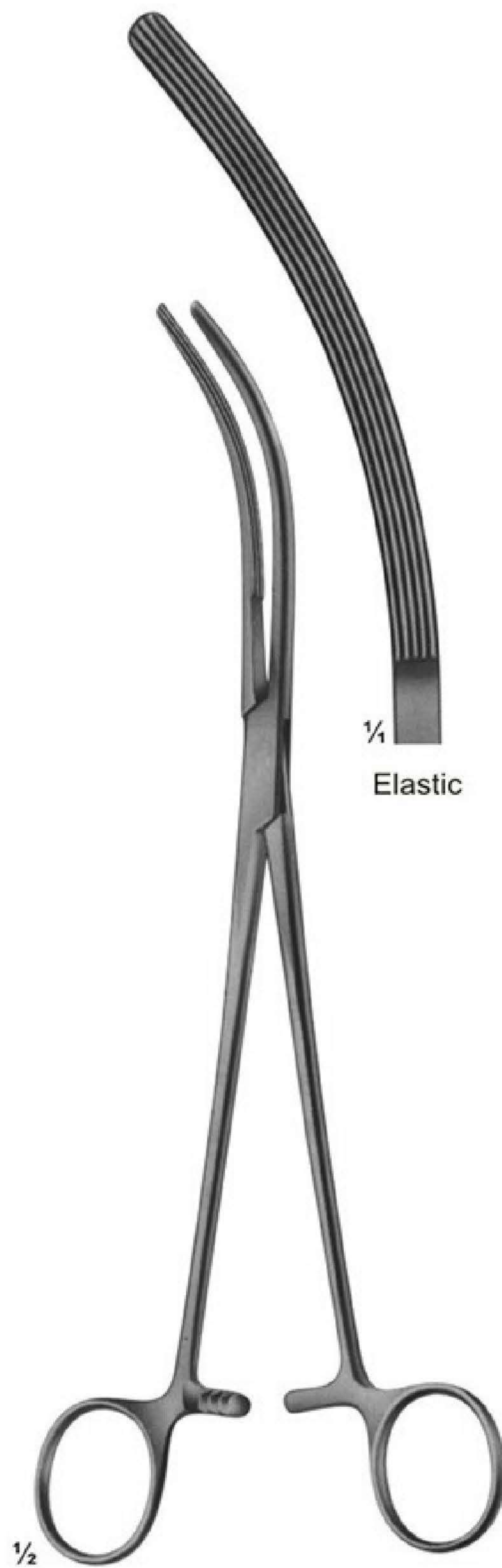
**05-7302**  
 HARKEN  
 240 mm



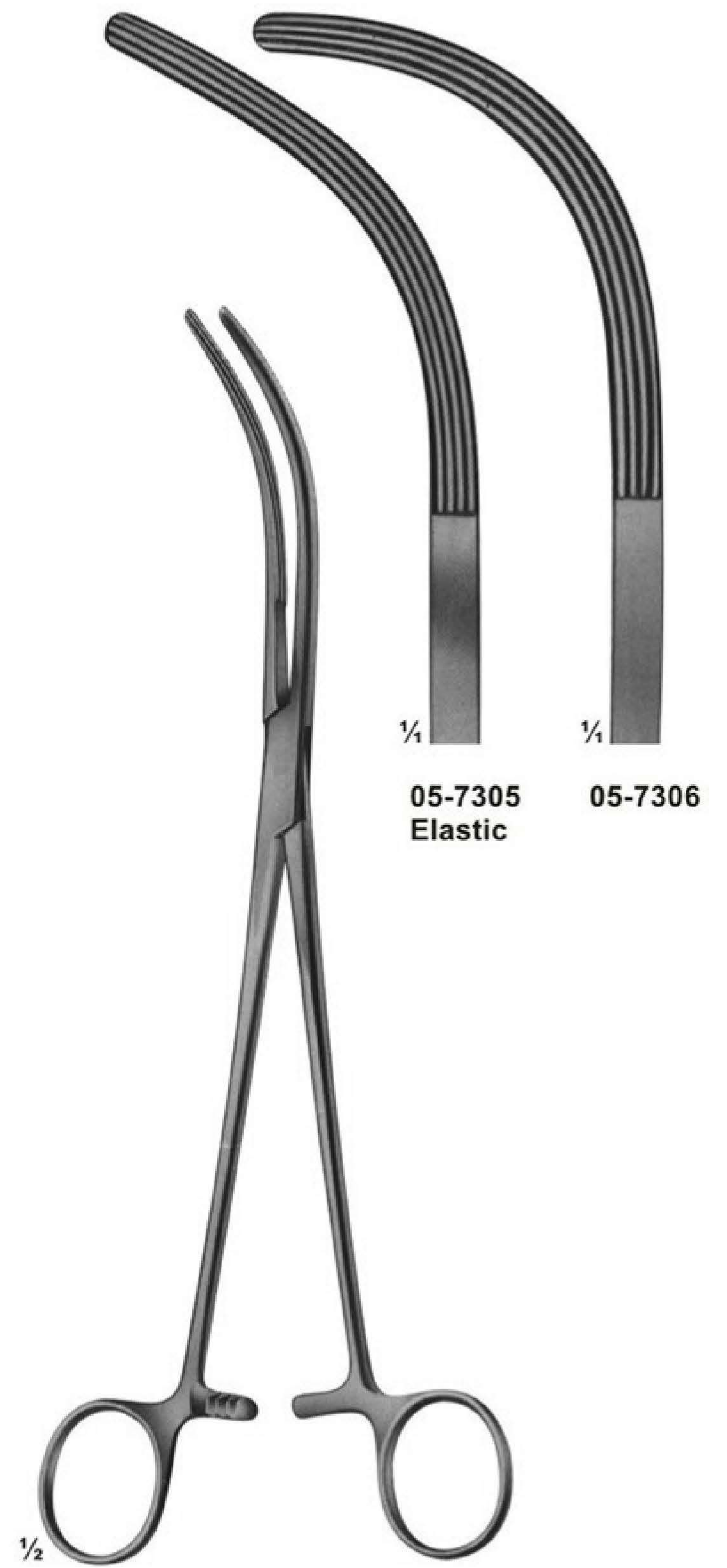
# Carotid Clamps, Auricle Clamps



**05-7303**  
 PERTUISET  
 Carotid Clamp  
 90 mm



**05-7304**  
 CRAFOORD-SELLORS  
 240 mm



**05-7305 - 05-7306**  
 CRAFOORD  
 240 mm



# Bronchus Forceps



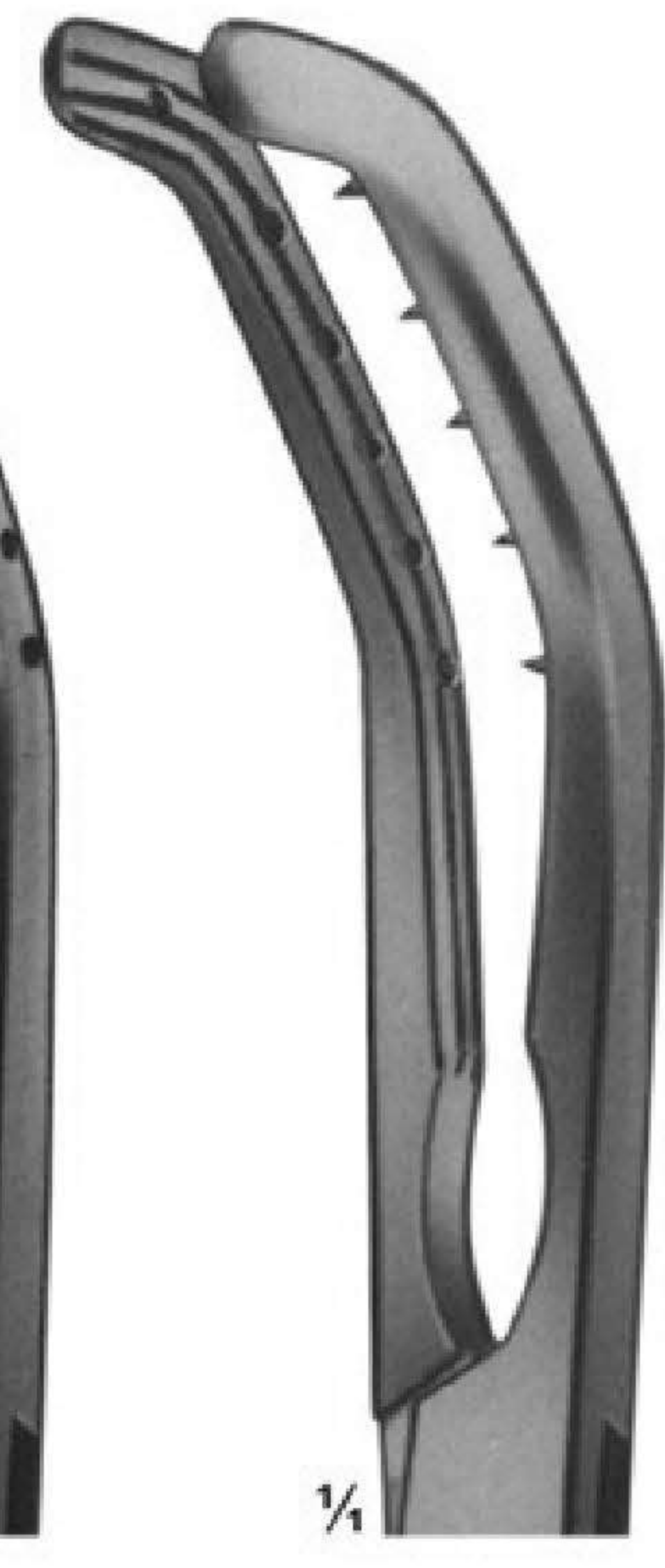
**05-7307**  
PRICE THOMAS  
225 mm



**05-7308 - 05-7309**  
PRICE THOMAS  
225 mm



**05-7308**  
jaws with pins



**05-7309**  
jaws with pins



# Sternum Instruments And Rib Shears



**05-7310**  
 SCHUMACHER  
 Sternum shears  
 210 mm



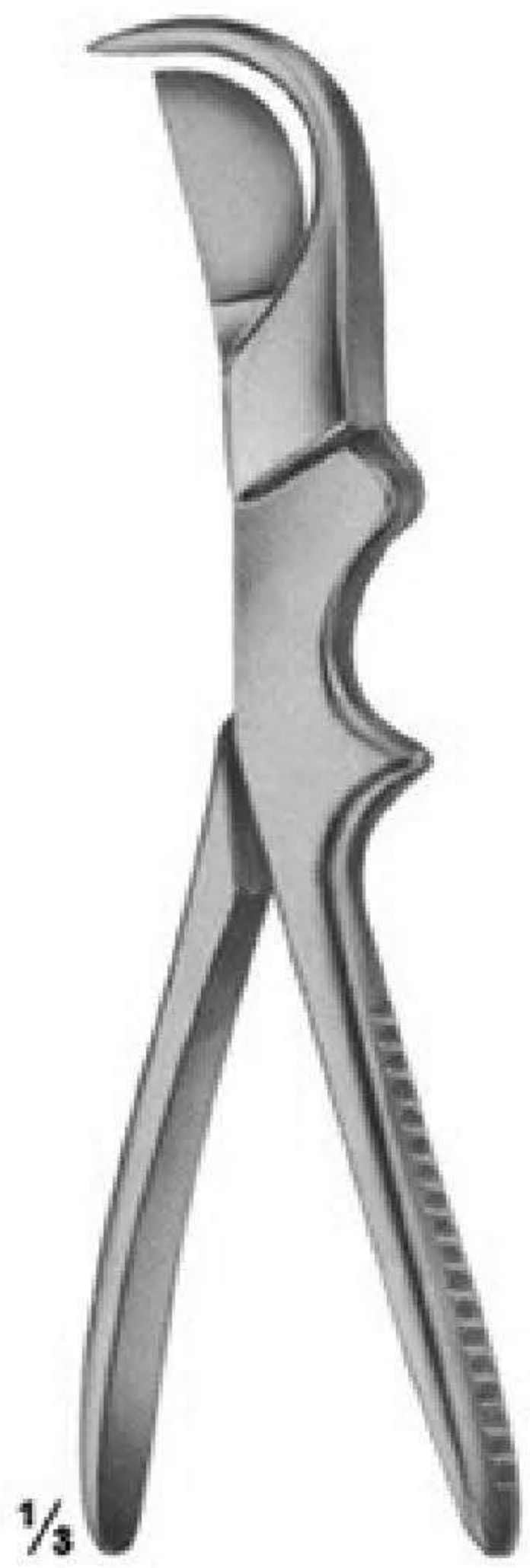
**05-7311**  
 LEBSCHKE  
 Sternum chisel  
 200 mm



**05-7312**  
 230 mm



**05-7313**  
 COLLIN  
 195 mm



**05-7314**  
 GLUCK  
 190 mm



**05-7315**  
 BETHUNE  
 340 mm



**05-7316**  
 BRUNNER  
 Universal Pattern  
 340 mm



**05-7317**  
 GIERTZ-STILLE  
 250 mm



# Rib Holding Forceps, Bone Cutting Forceps, Rib Rongeurs



**05-7318**  
SEMB  
Rib-and Bone  
Holding forceps  
190 mm



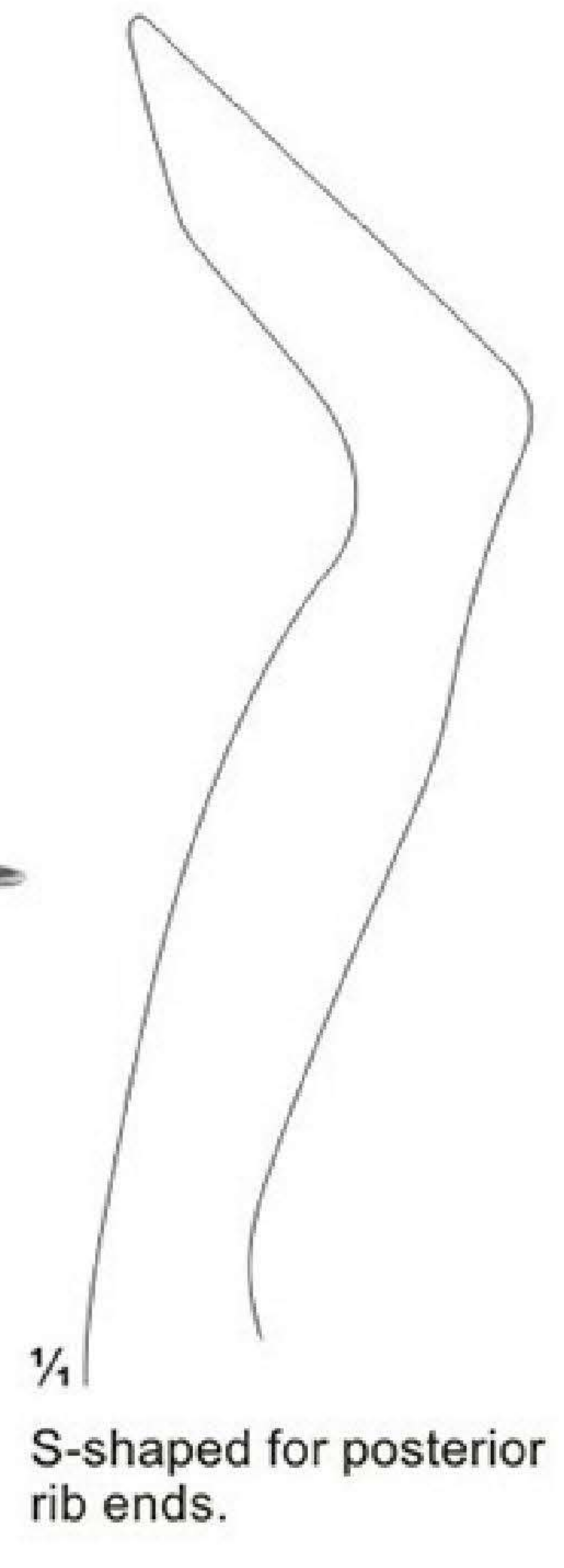
**05-7319**  
SEMB  
Rib-and Bone  
Holding forceps  
190 mm



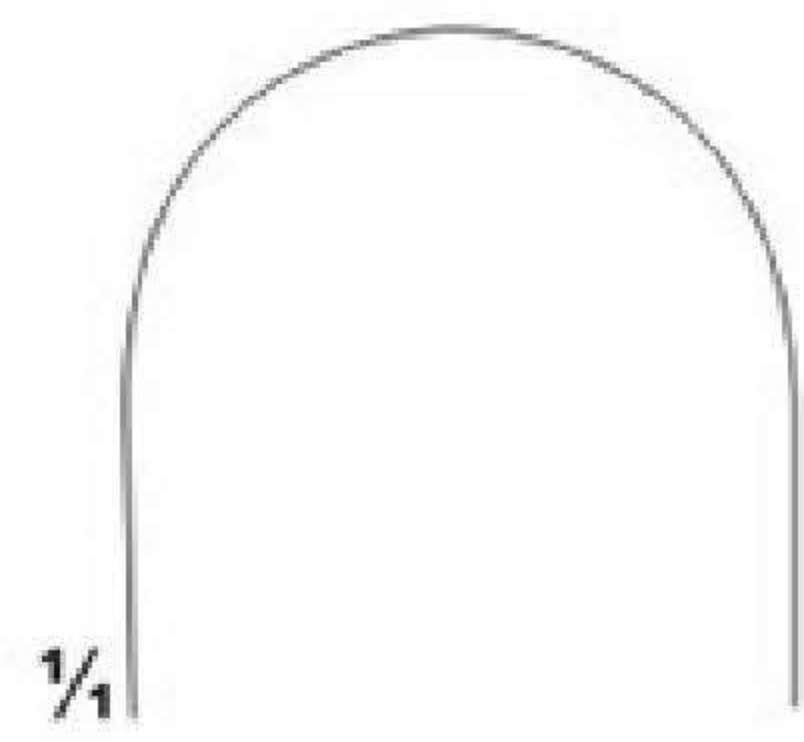
**05-7320**  
LISTON-STILLE  
265 mm



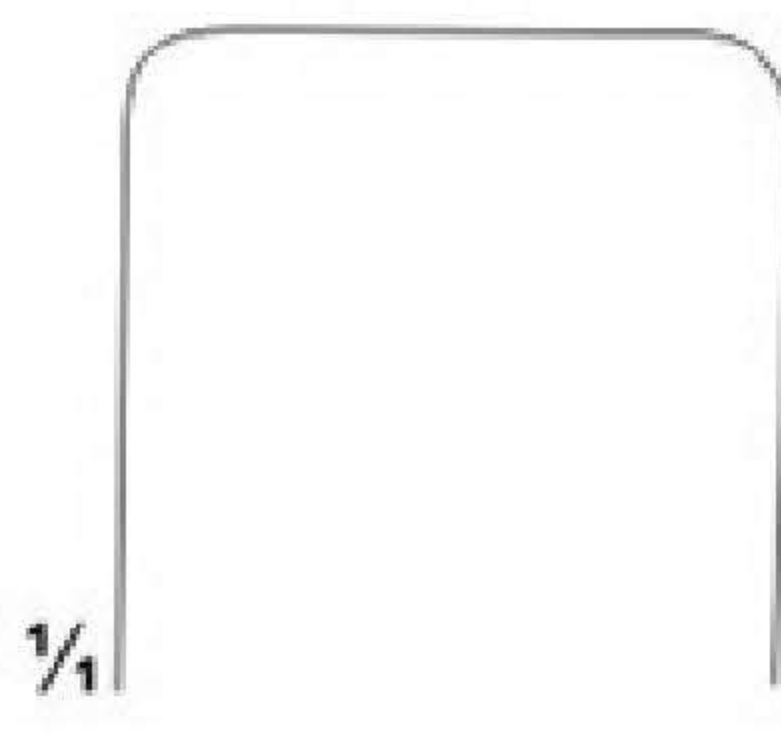
**05-7321**  
LISTON-KEY-HORSLEY  
(Tudor Edwards)  
255 mm



$\frac{1}{4}$   
S-shaped for posterior  
rib ends.



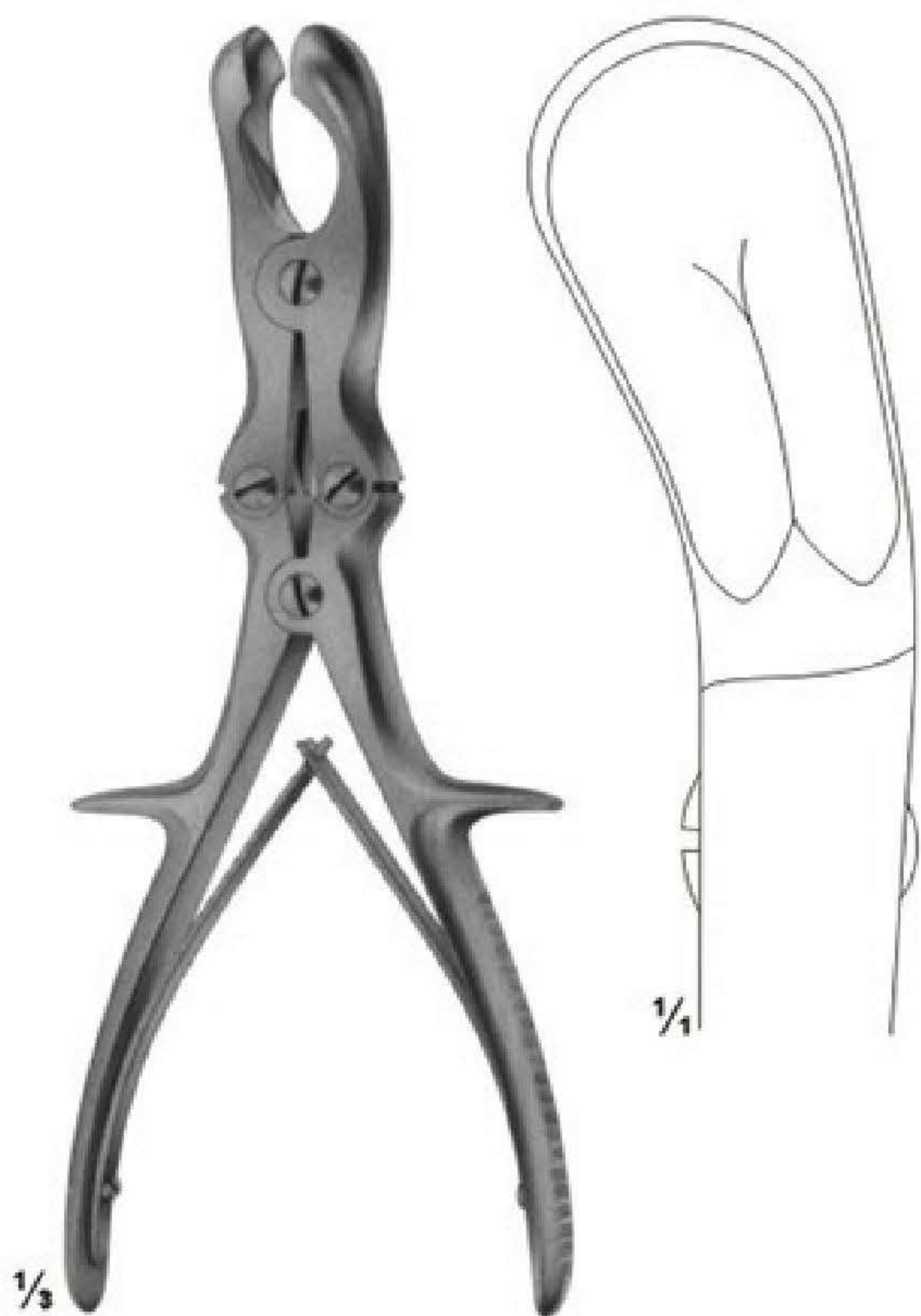
**05-7323**



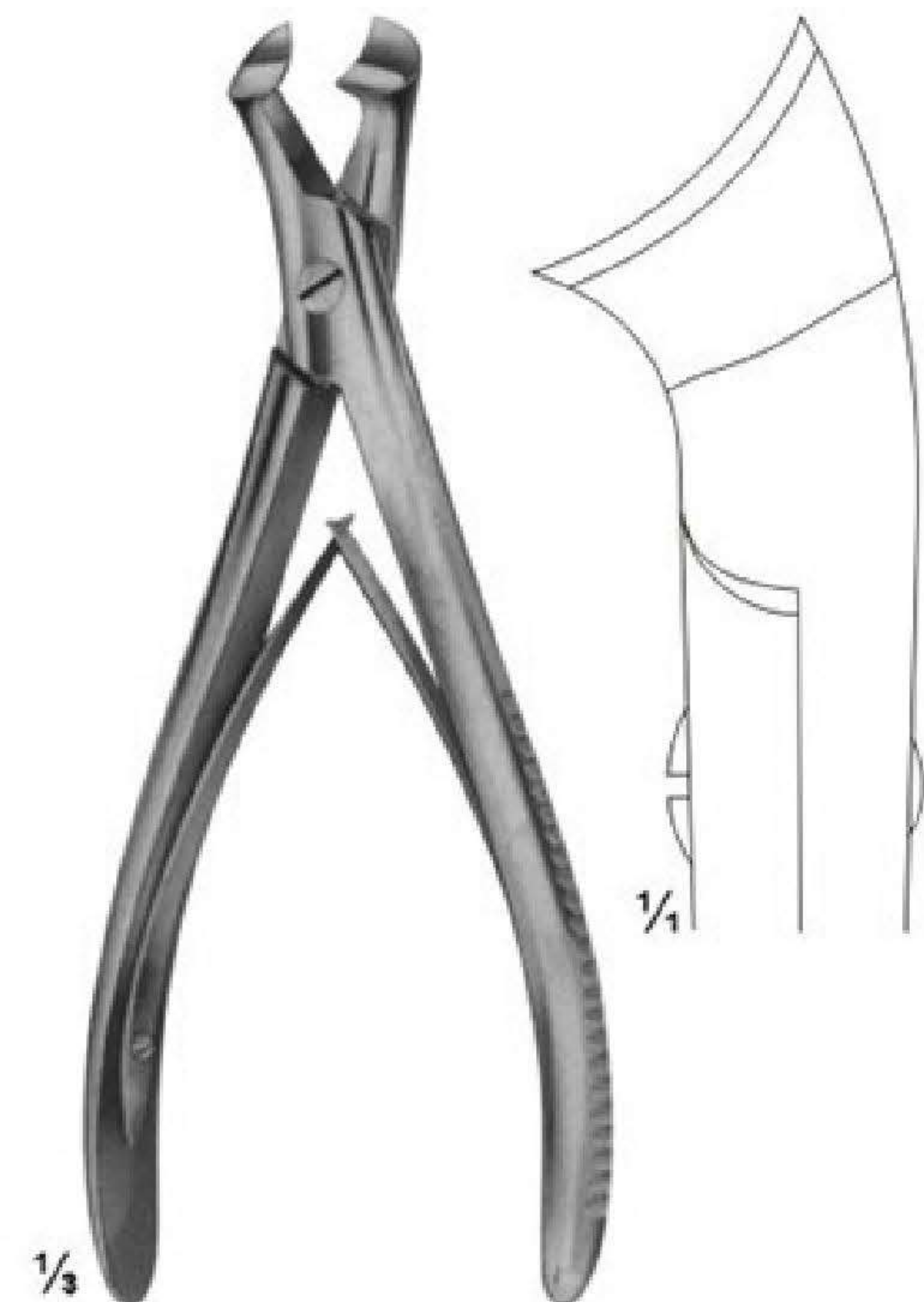
**05-7324**



**05-7323 - 05-7324**  
SAUERBRUCH-CORYLLOS  
Rib rongeurs to shorten  
the rib stumps  
310 mm



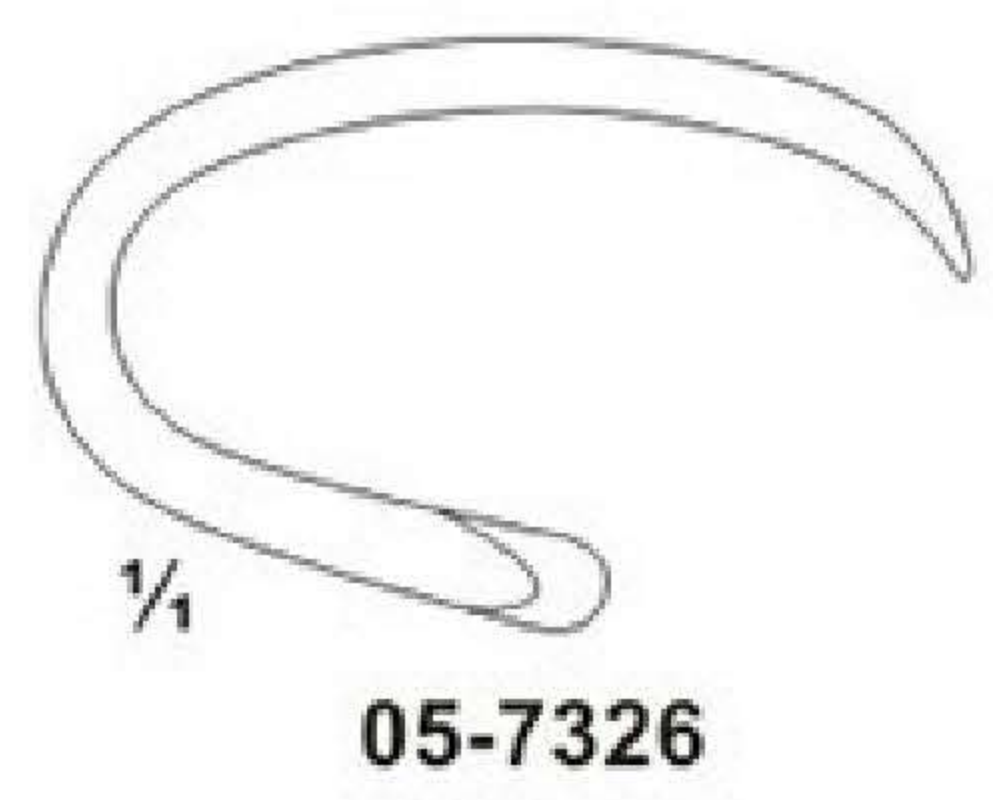
**05-7322**  
SEMB  
Rib Rongeur to shorten  
the rib stumps  
240 mm



**05-7325**  
MARKWALDER  
Rib Rongeur to Round  
the rib stumps  
190 mm



# Rib Raspatories



05-7326



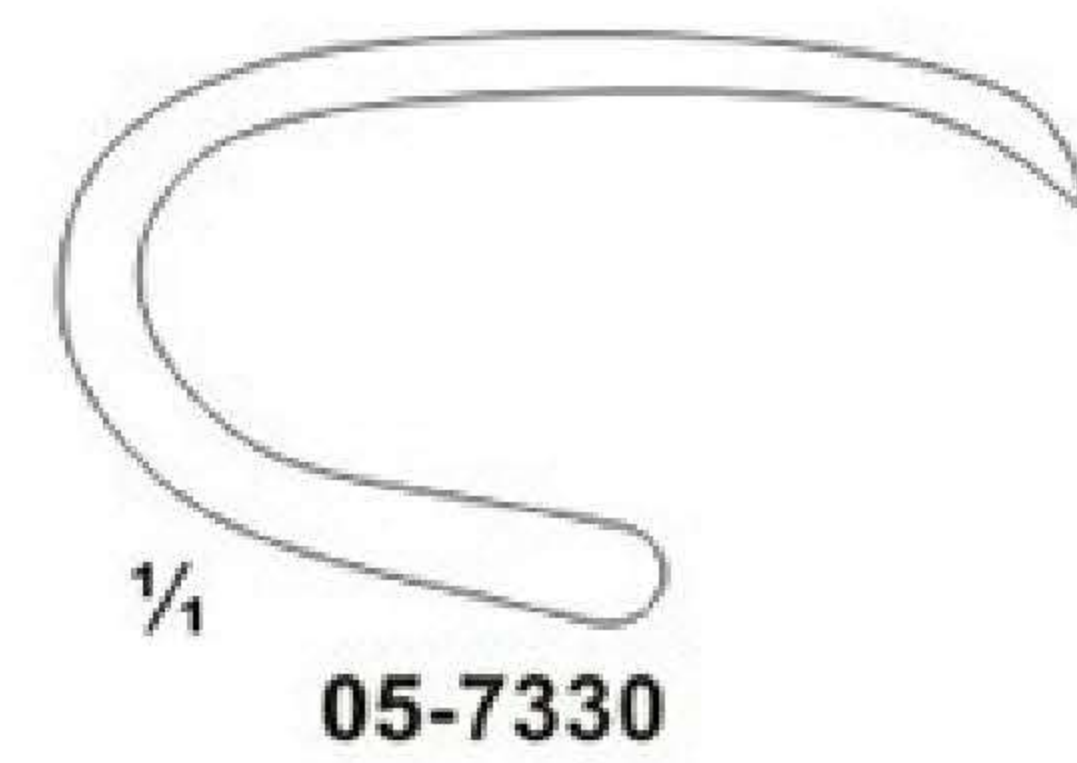
05-7327



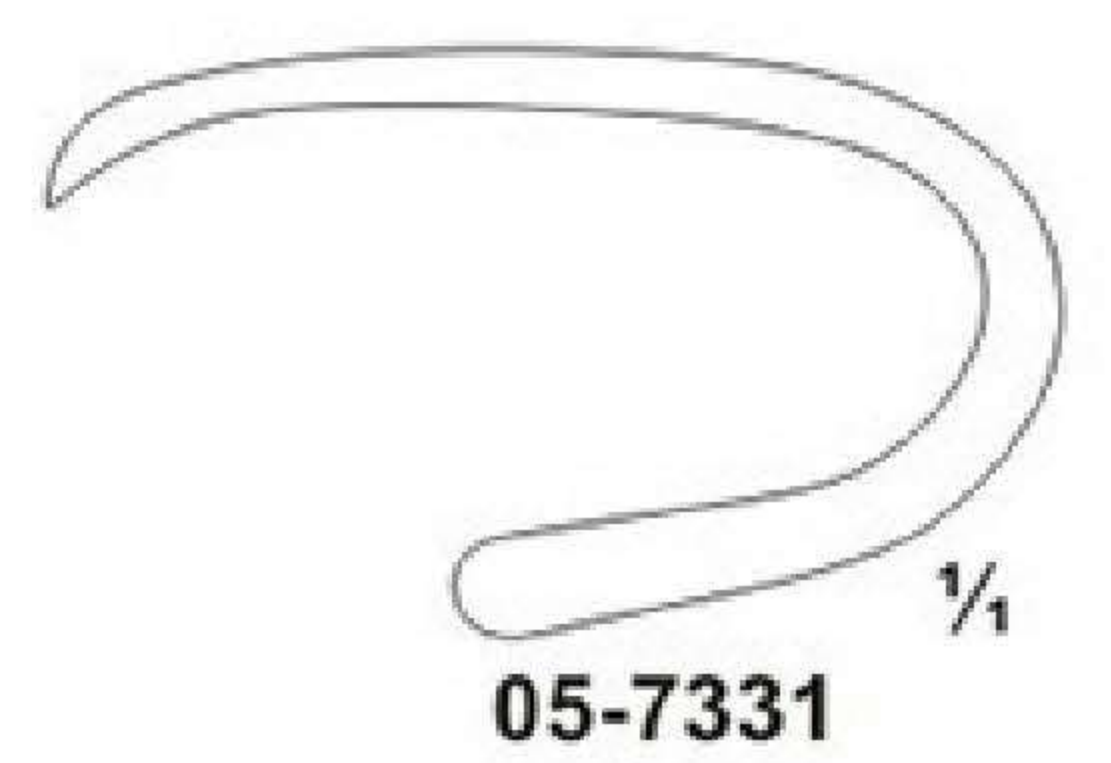
05-7328



05-7329



05-7330



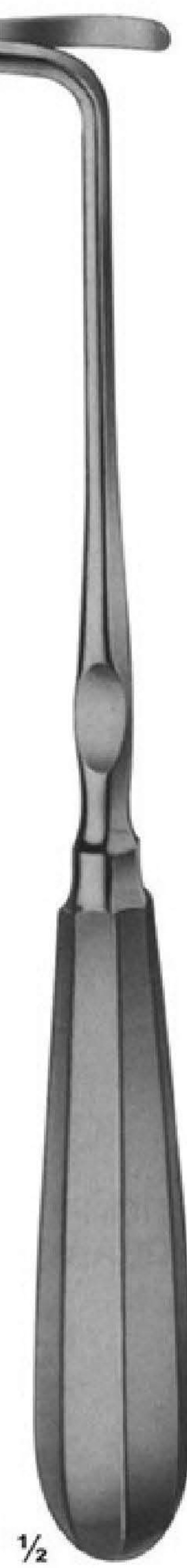
05-7331



1/2



1/2



1/2



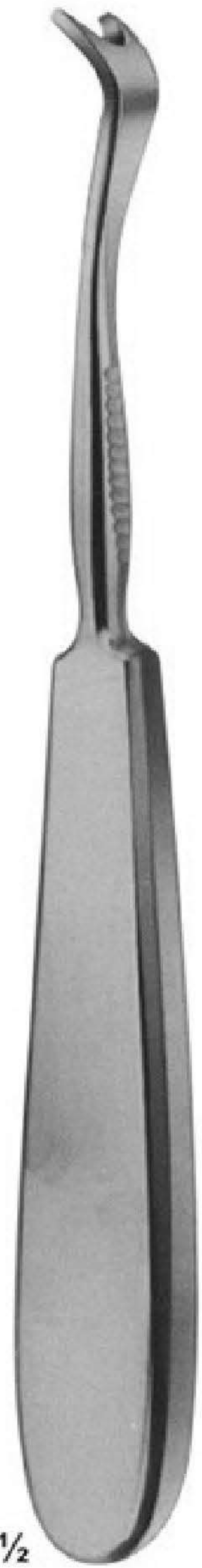
05-7326 - 05-7327  
DOYEN  
for children  
175 mm

05-7328 - 05-7329  
DOYEN  
for adults  
175 mm

05-7330 - 05-7331  
DOYEN  
240 mm



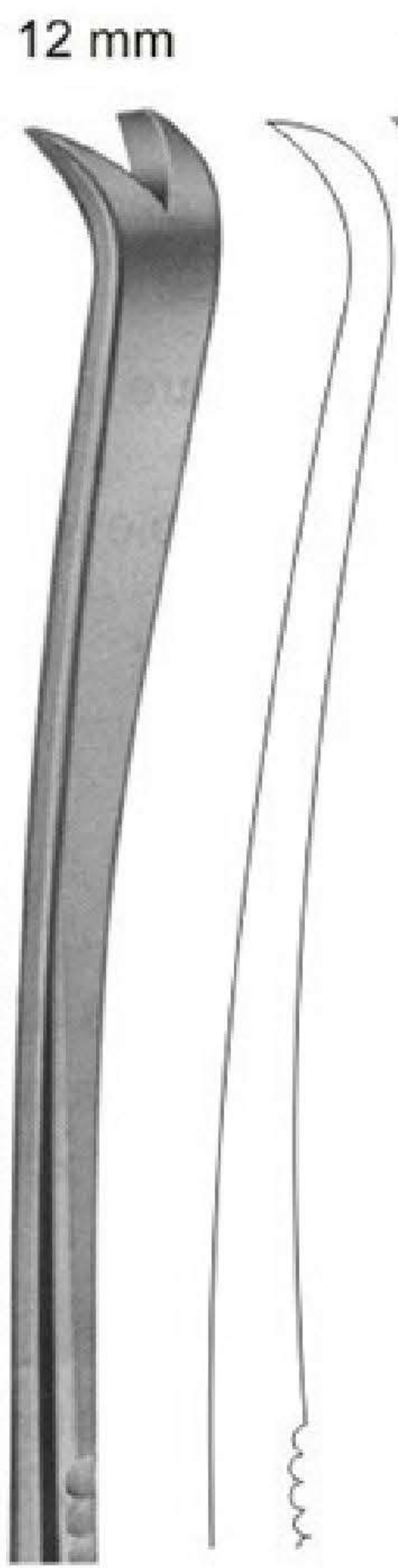
# Rib Raspatories



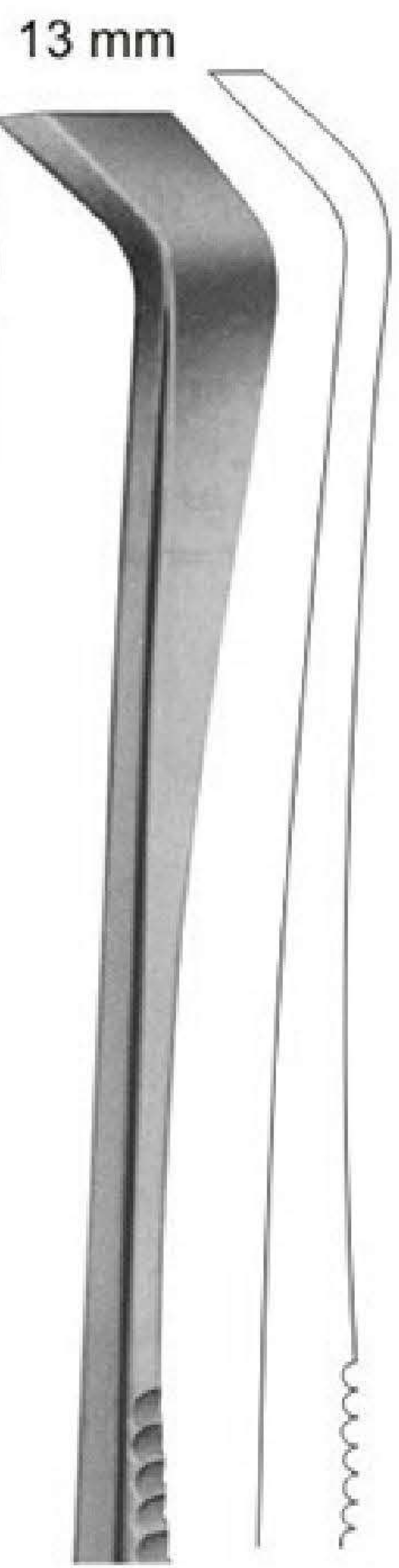
1/2  
**05-7332 - 05-7336**  
SEMB  
230 mm



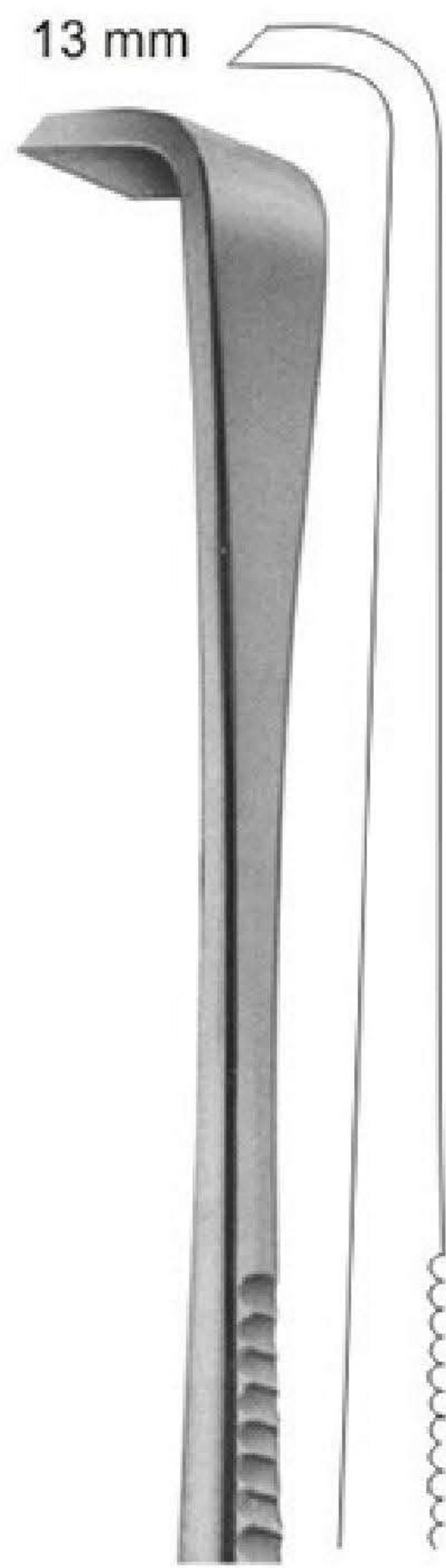
12 mm  
1/4  
**05-7332**  
190 mm



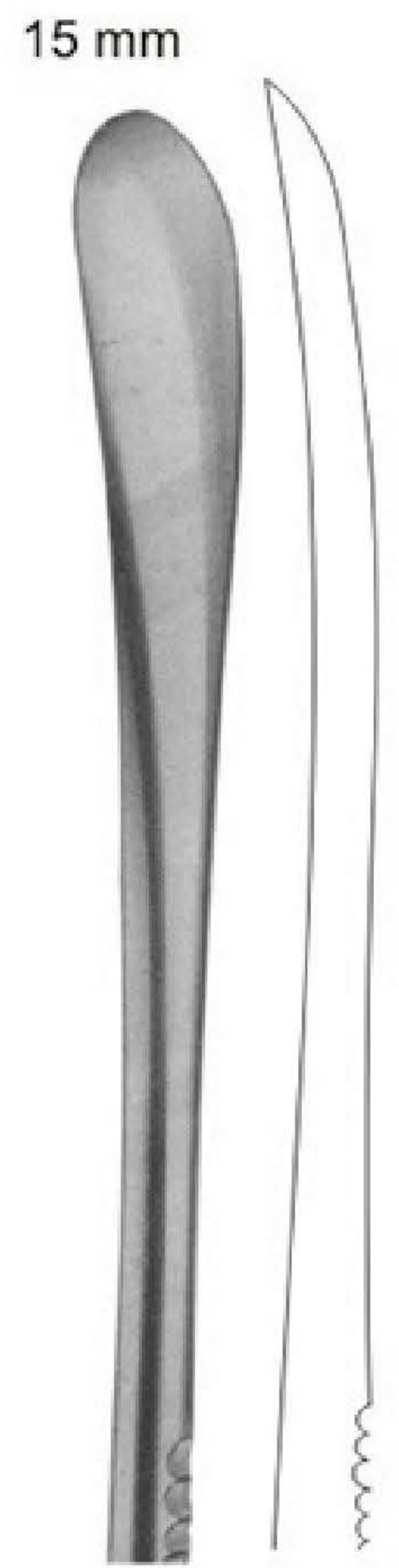
12 mm  
1/4  
**05-7333**  
230mm



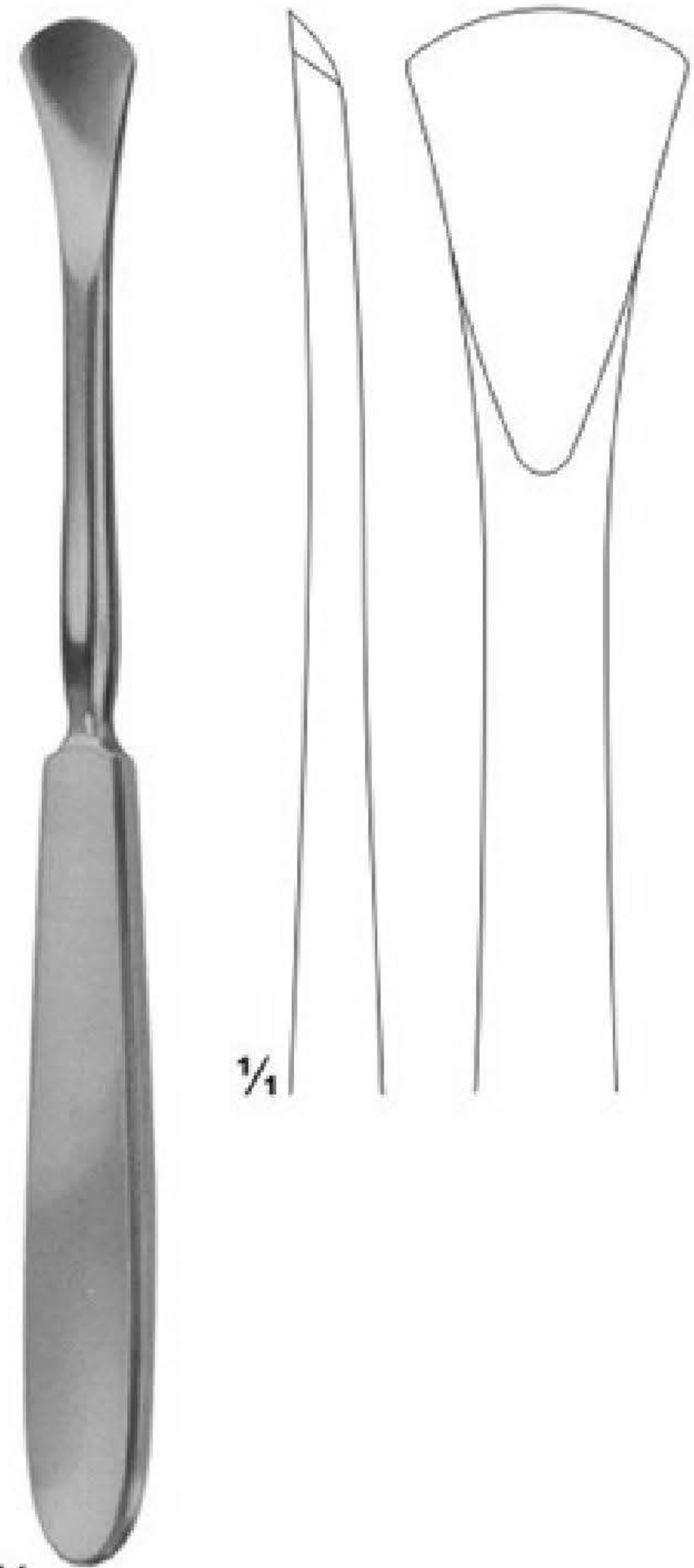
13 mm  
1/4  
**05-7334**  
230mm



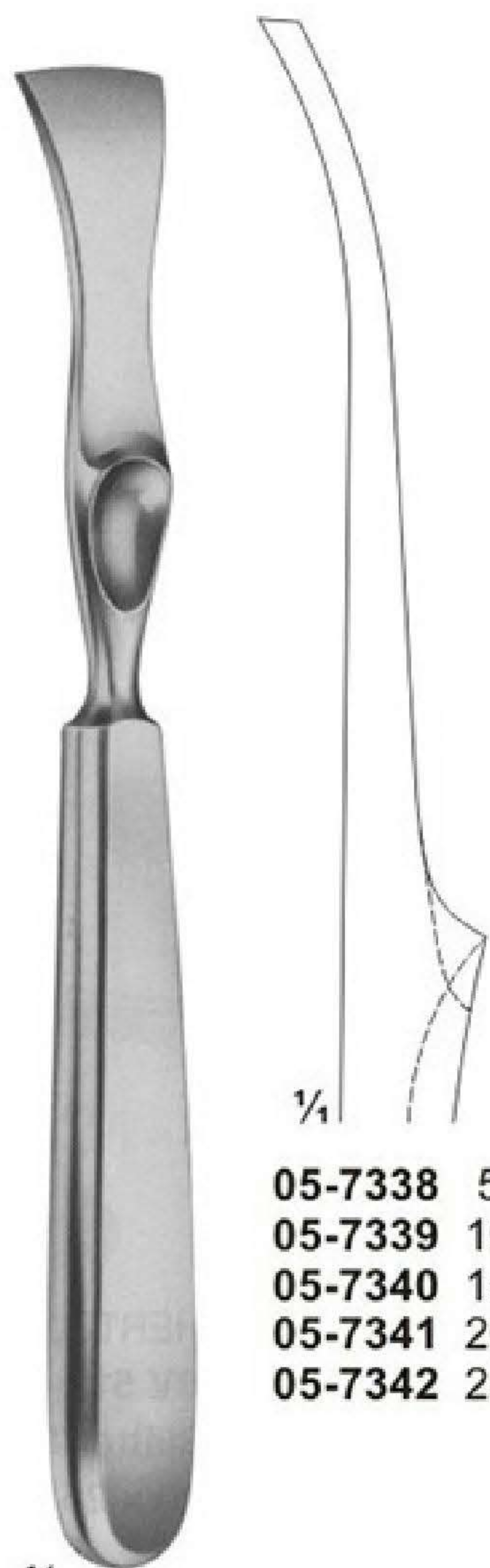
13 mm  
1/4  
**05-7335**  
230mm



15 mm  
1/4  
**05-7336**  
230mm

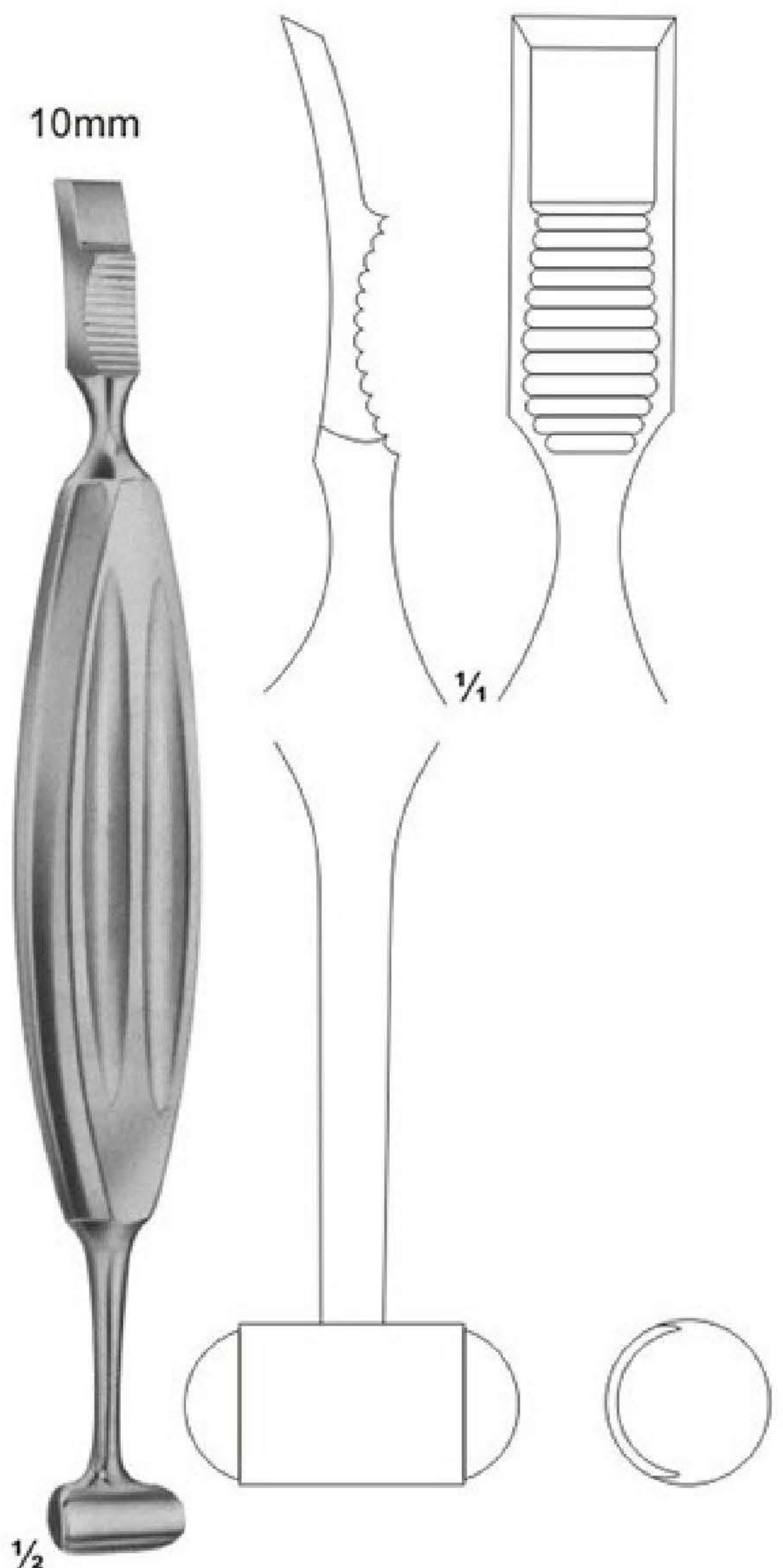


1/2  
**05-7337**  
LANGENBECK  
190 mm



1/2  
**05-7338 - 05-7342**  
LAMBOTTE  
215 mm

- 05-7338** 5 mm
- 05-7339** 10 mm
- 05-7340** 15 mm
- 05-7341** 20 mm
- 05-7342** 25 mm



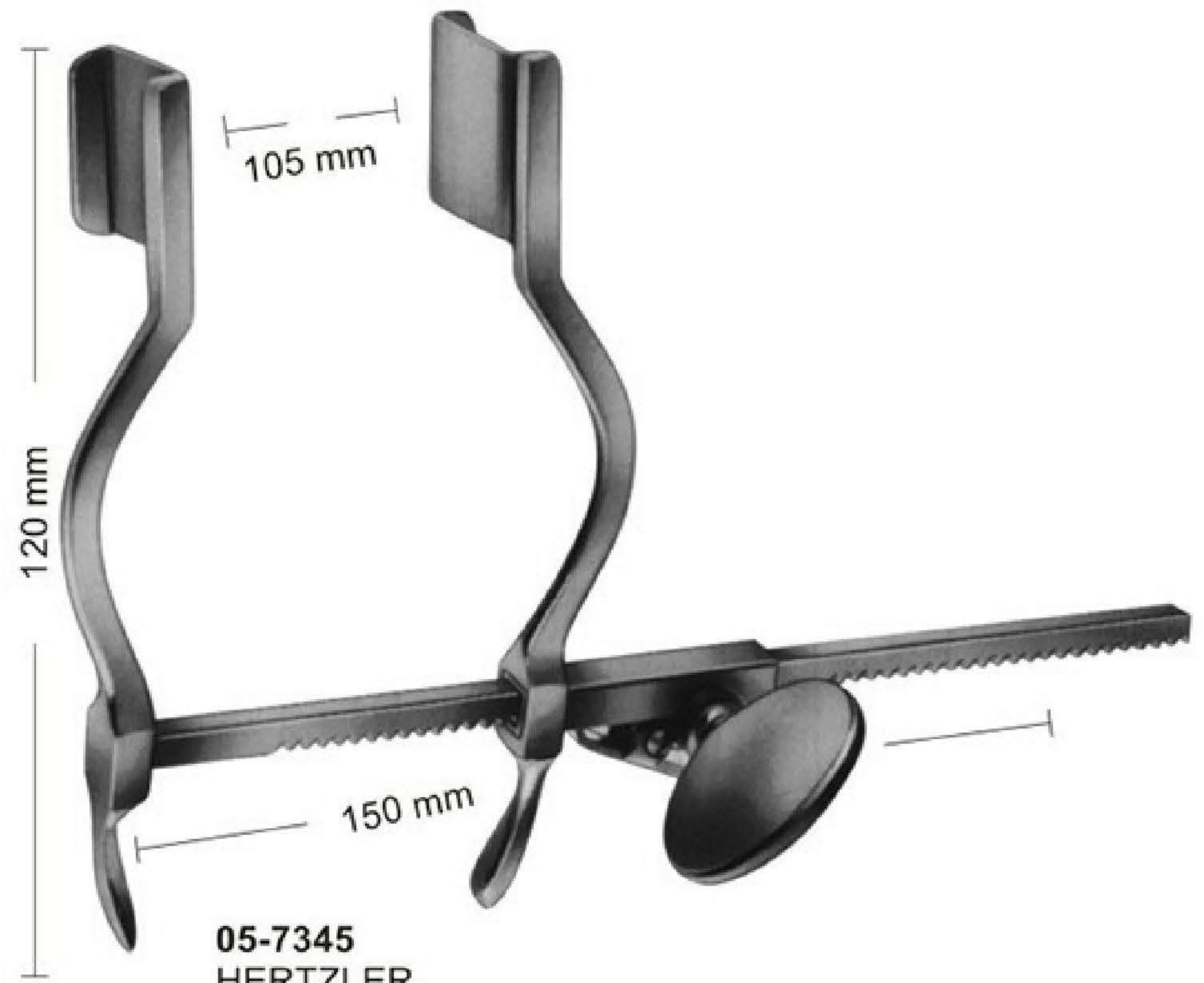
10mm  
1/4  
1/2  
**05-7343**  
ALEXANDER  
210 mm



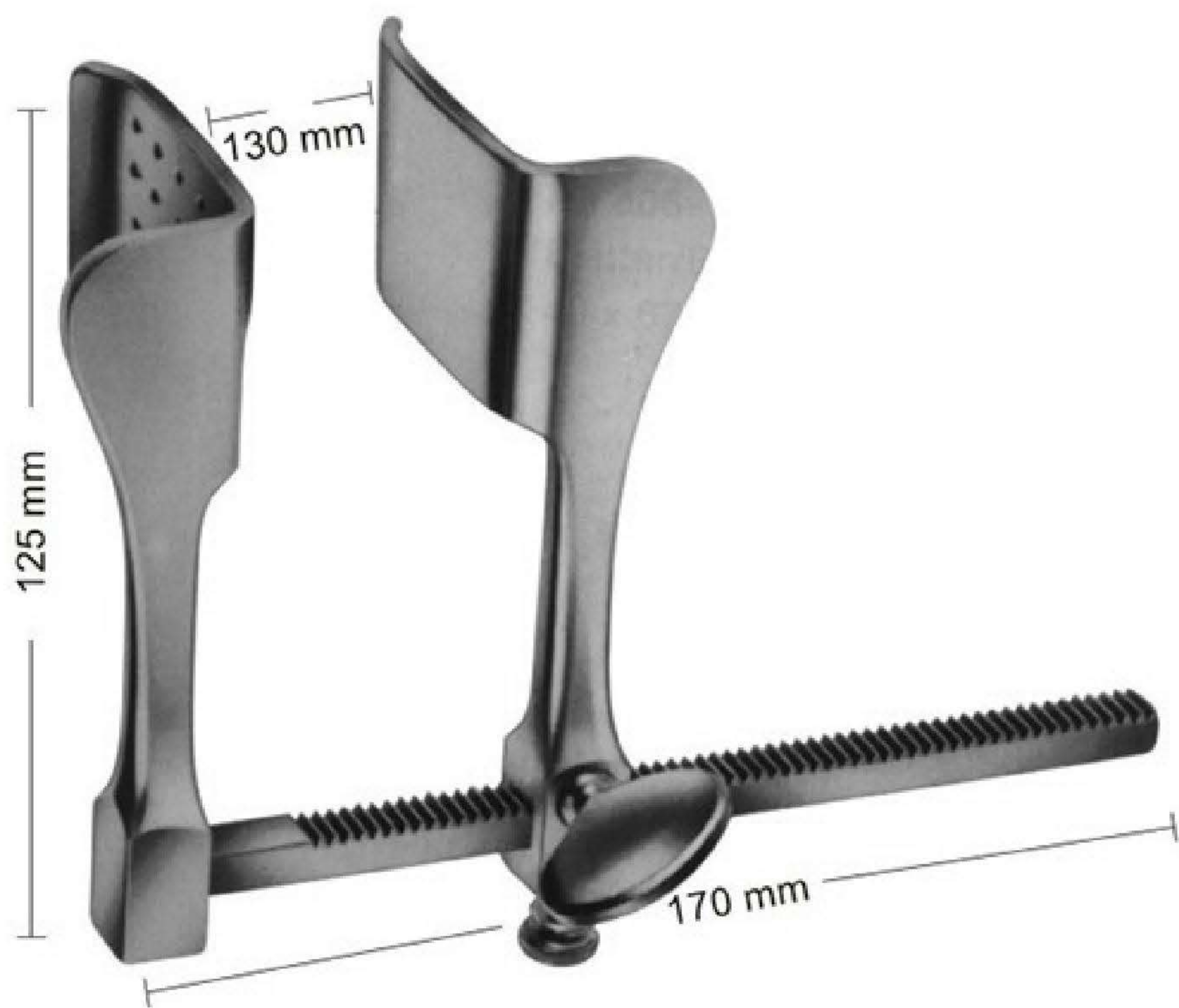
# Rib Spreaders



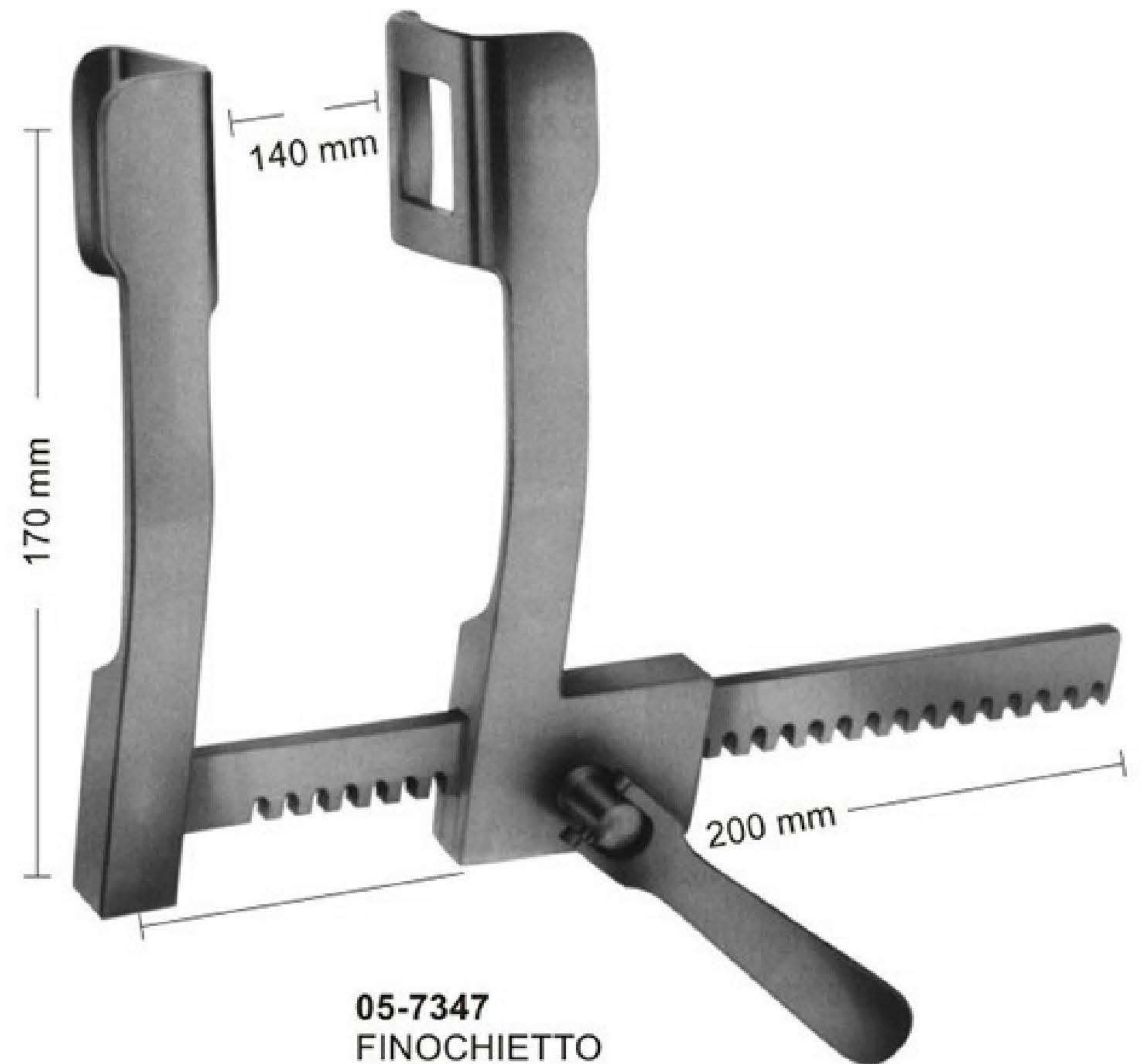
**05-7344**  
 FINOCHIETTO  
 Blades  
 18X21 mm



**05-7345**  
 HERTZLER  
 Blades  
 20X25 mm



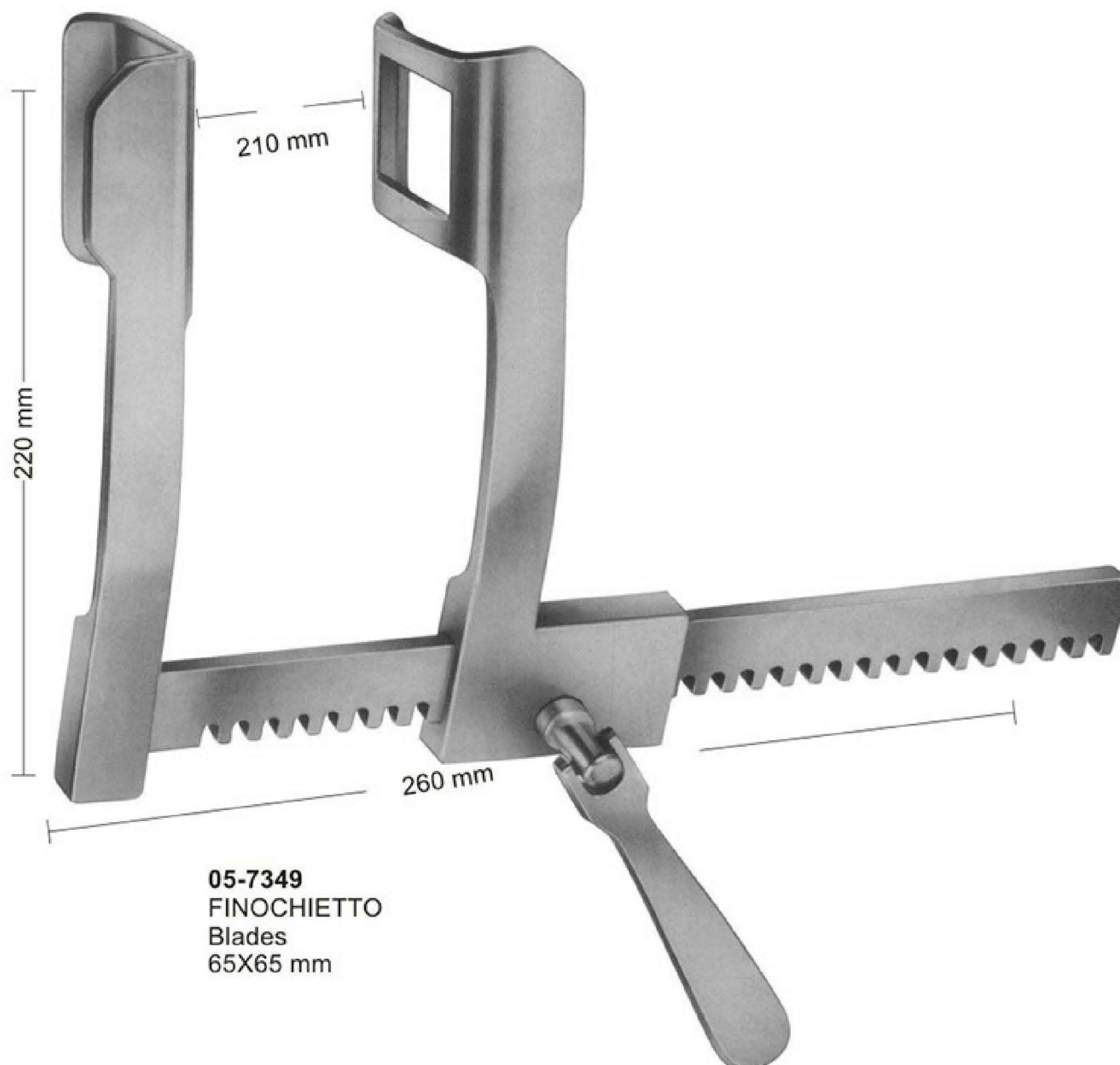
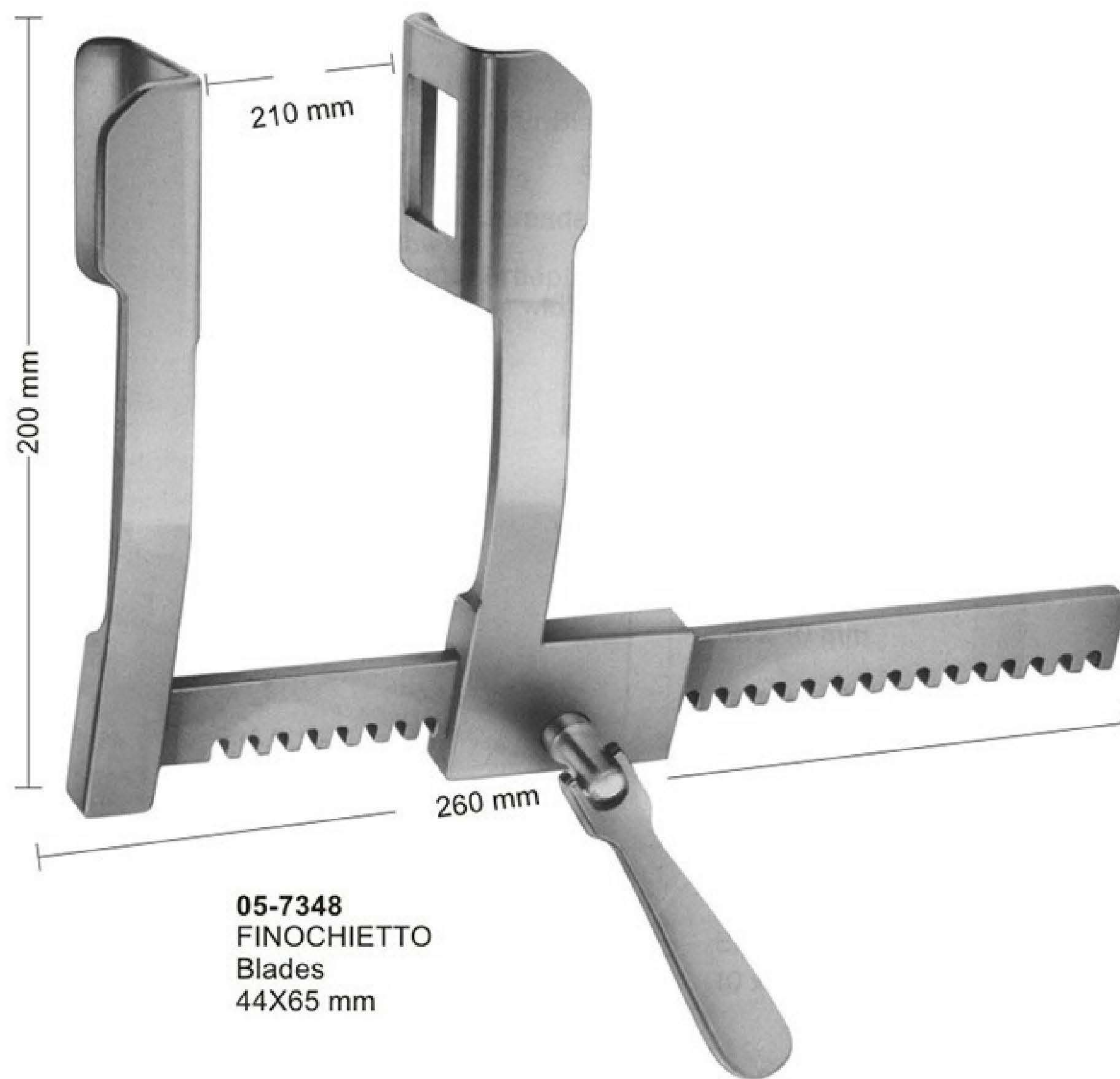
**05-7346**  
 TUFFIER  
 Blades  
 43X53 mm



**05-7347**  
 FINOCHIETTO  
 Blades  
 36X45 mm



# Rib Spreaders





# Rib Spreaders

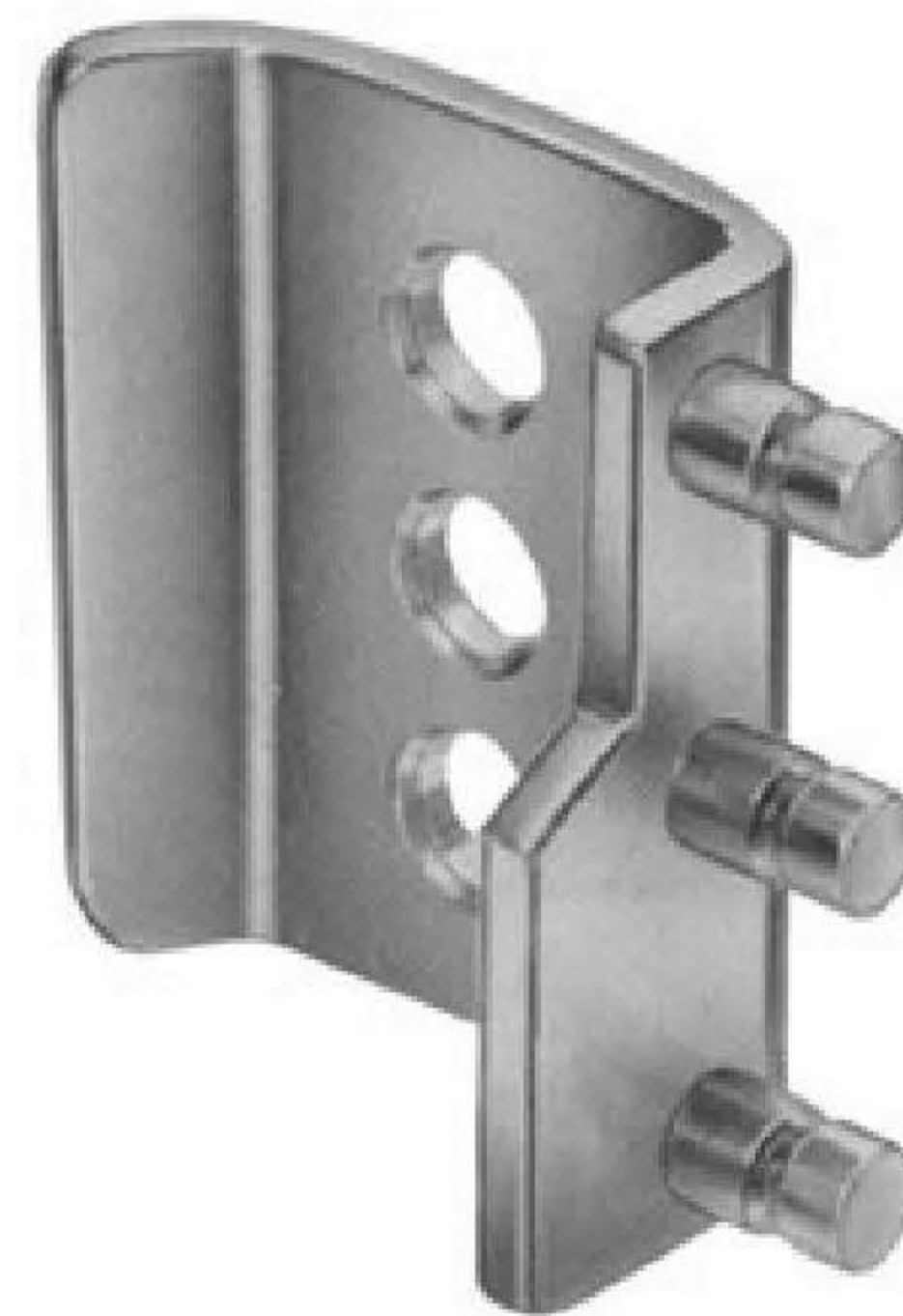
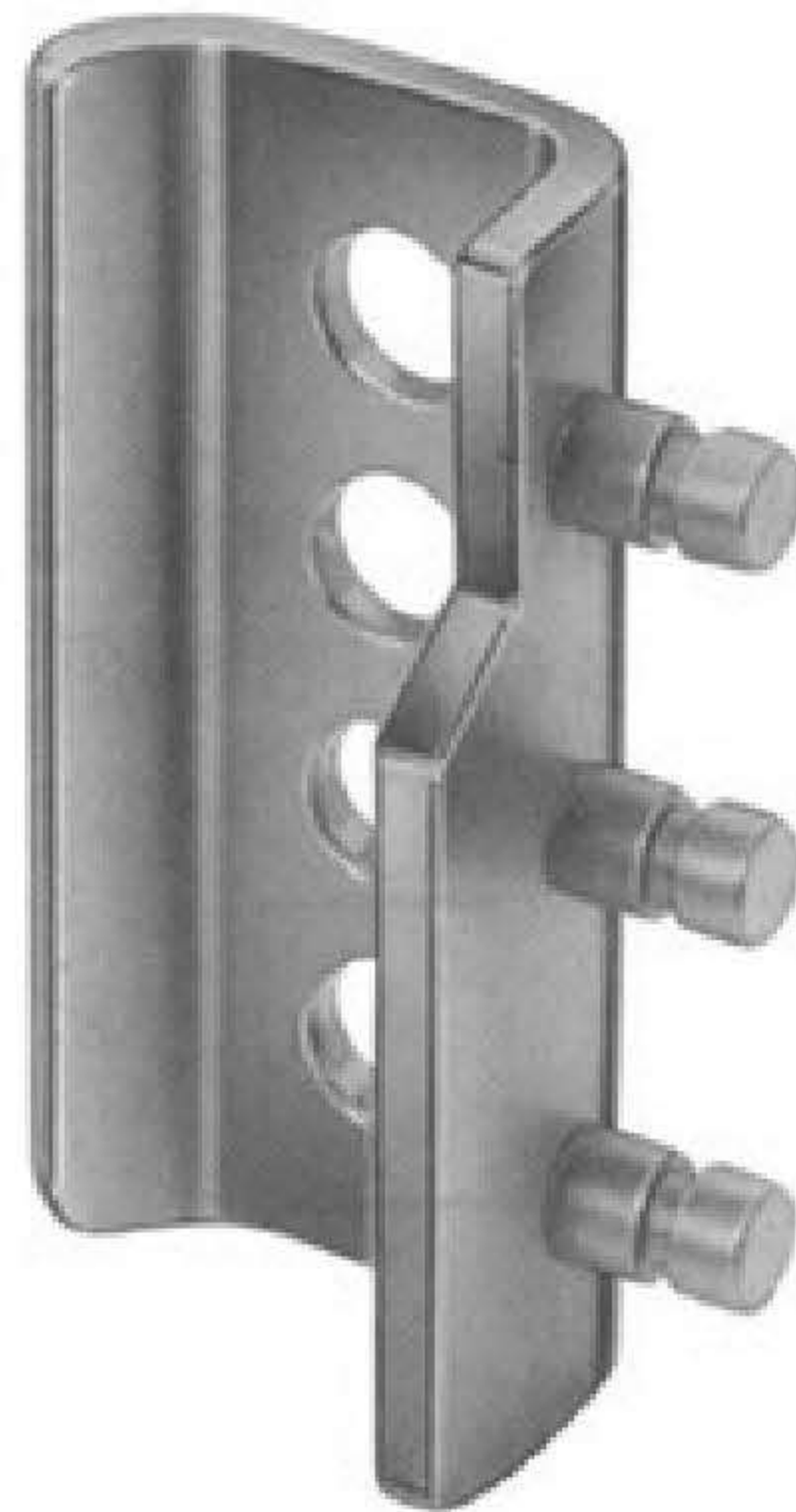
**05-7351**  
 Blades  
 30x80 mm



**05-7352**  
 Blades  
 40x67 mm



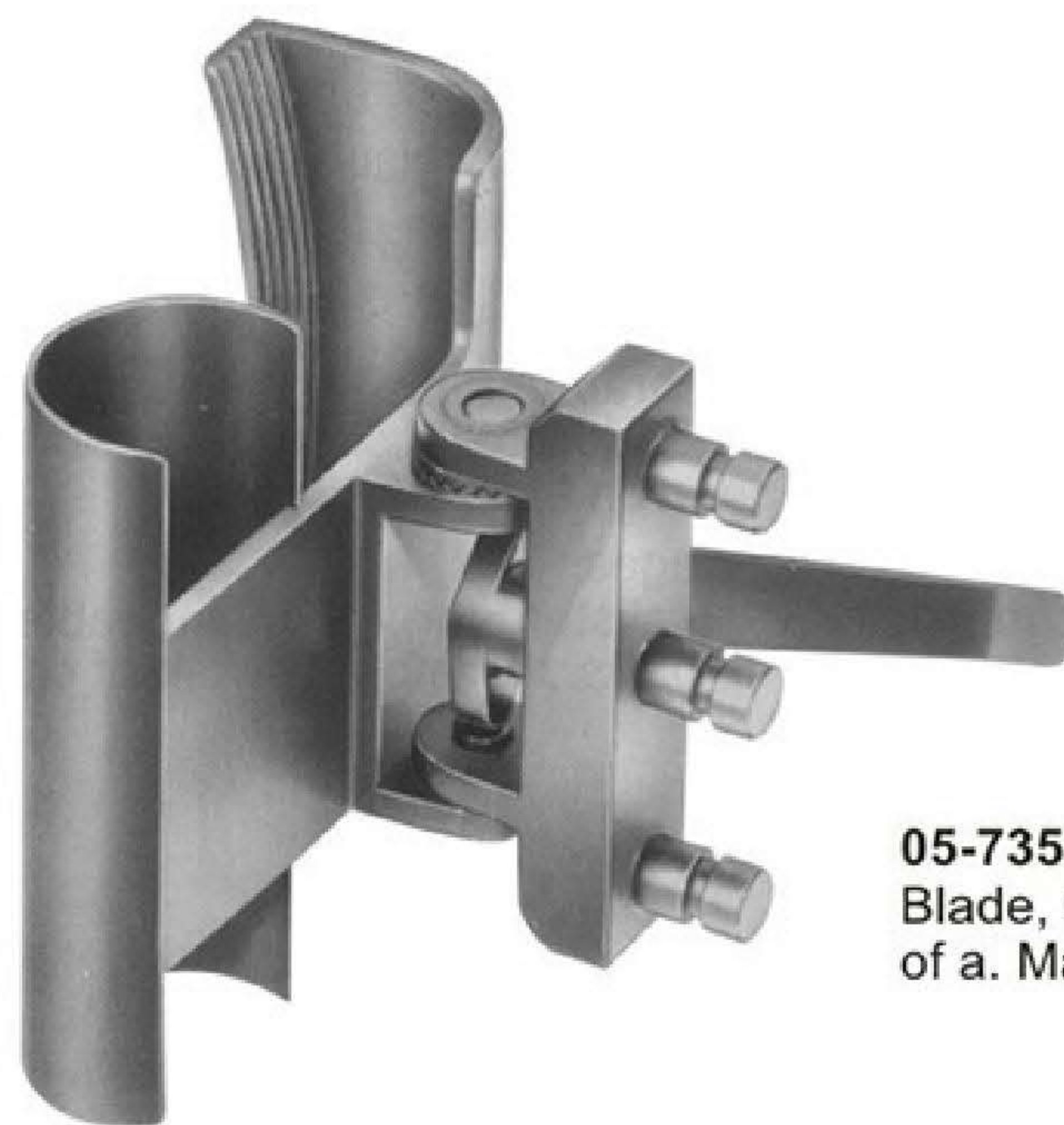
**05-7353**  
 Blades  
 80x67 mm



220 mm

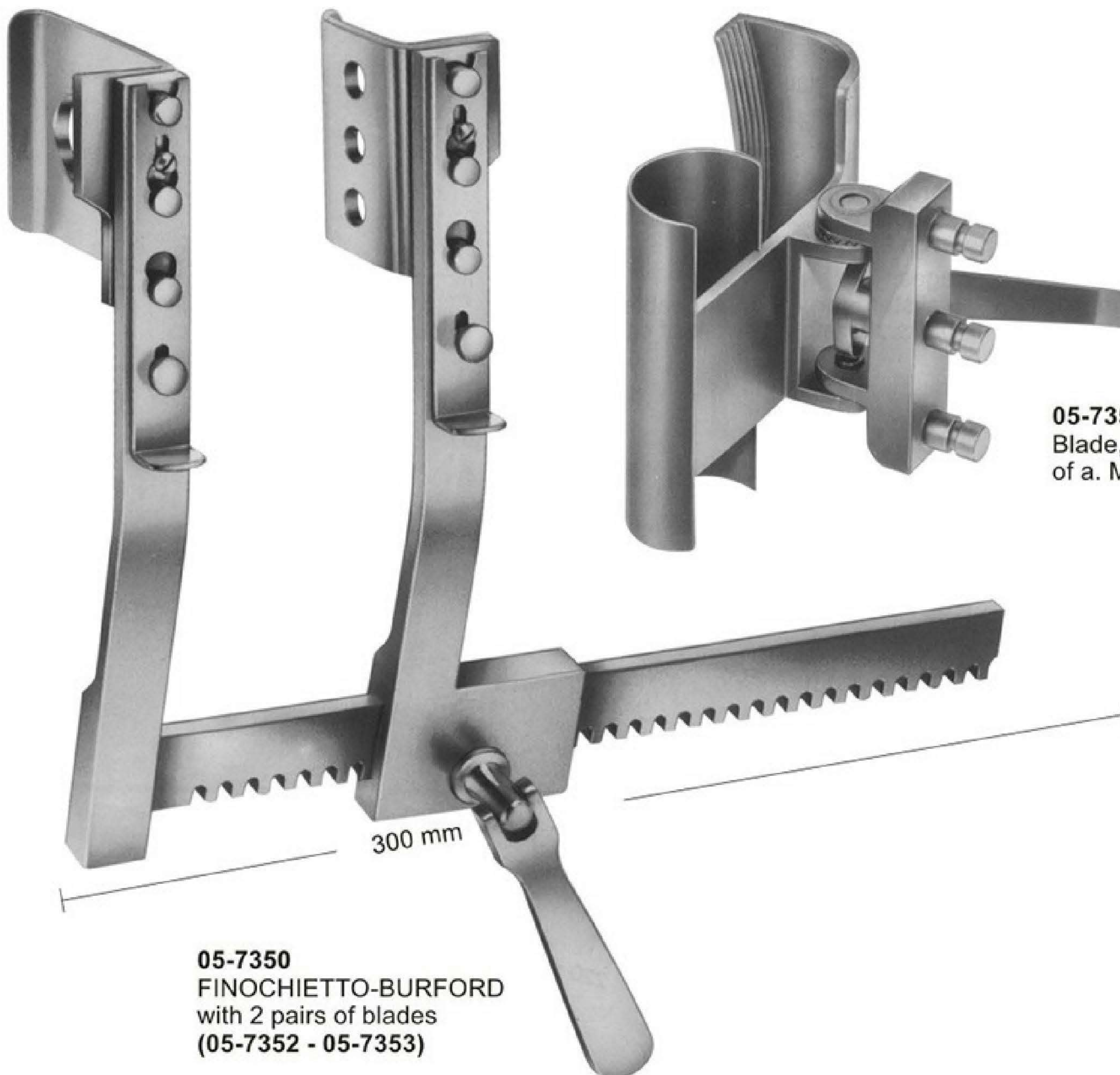
220 mm

**05-7354**  
 Blade, Only, for preparation  
 of a. Mammaria, 25.5x80mm



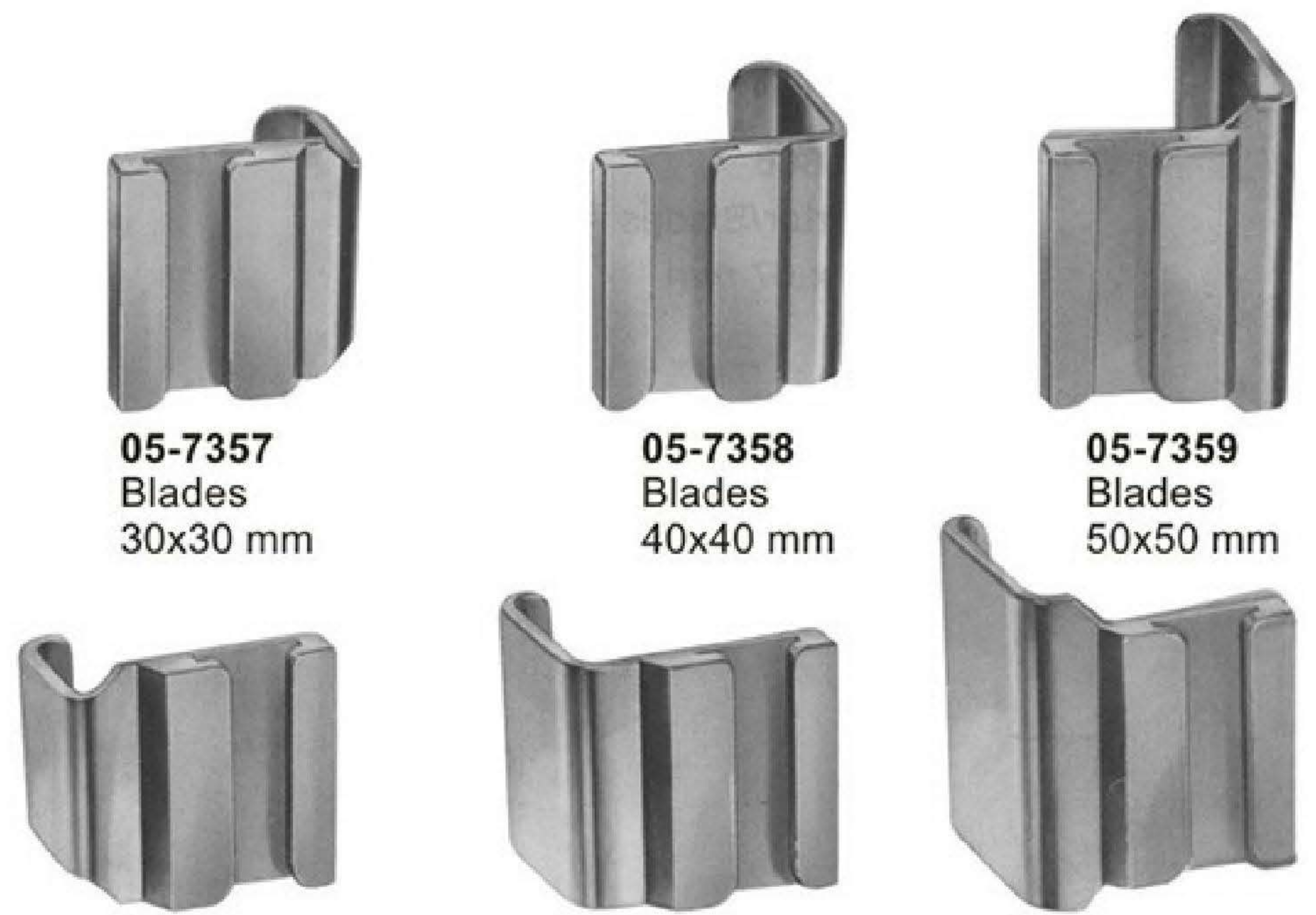
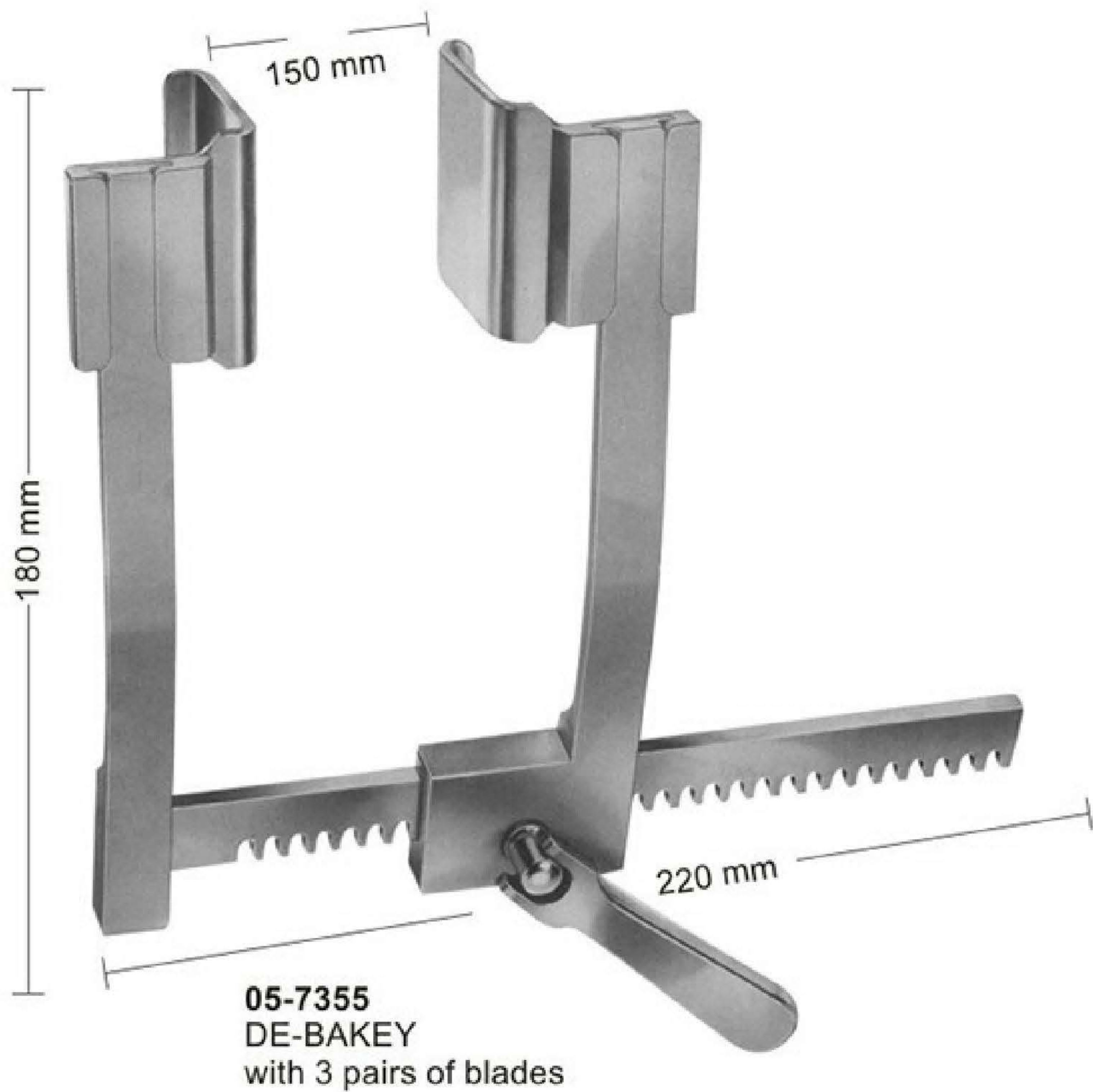
300 mm

**05-7350**  
 FINOCHIETTO-BURFORD  
 with 2 pairs of blades  
 (05-7352 - 05-7353)

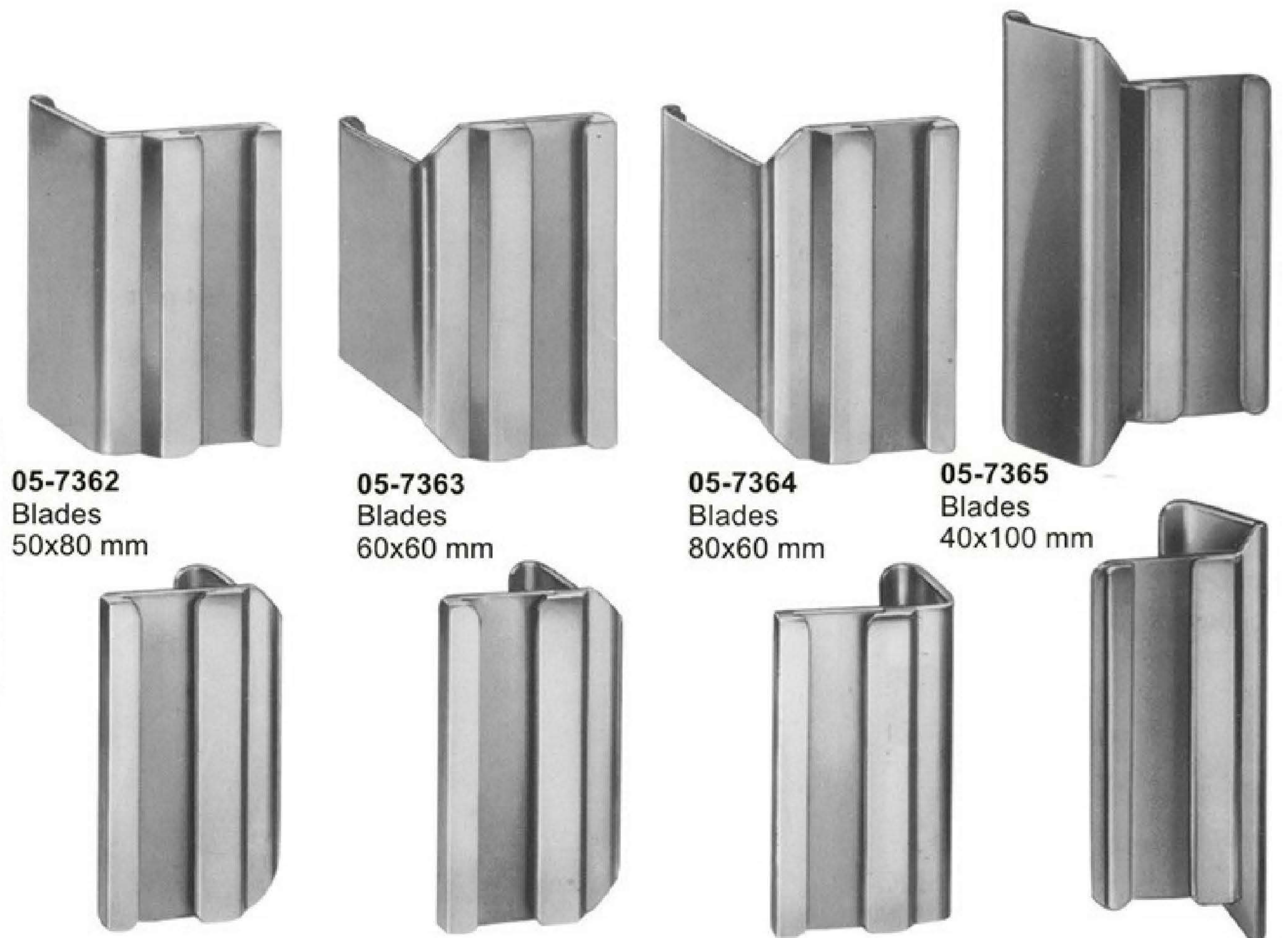
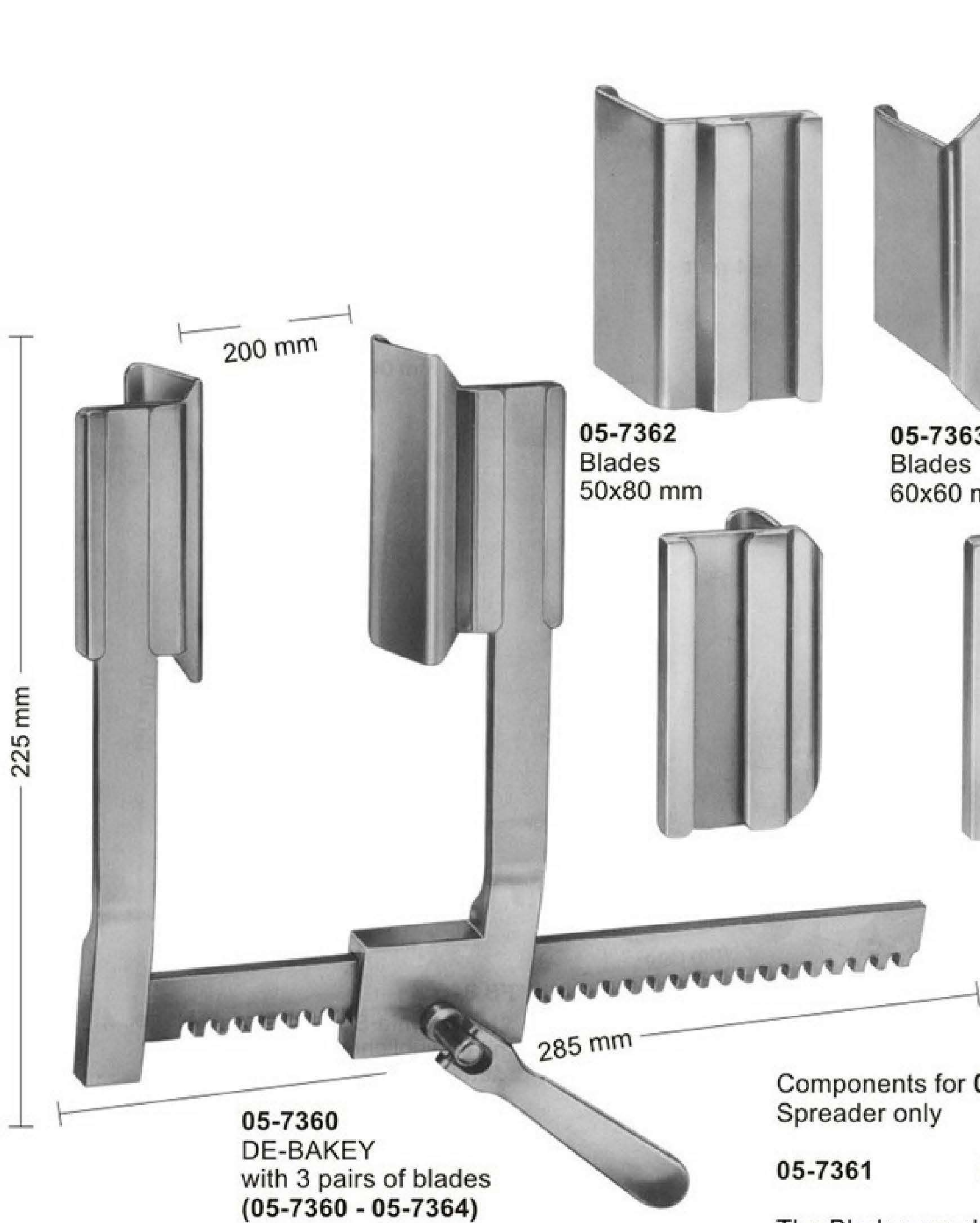




# Rib Spreaders



Components for **05-7355**  
 Spreader only      Blades only  
**05-7356**      **05-7357** 30x30mm  
                   **05-7358** 40x40mm  
                   **05-7359** 50x50mm  
 The Blades are delivered in Pairs.

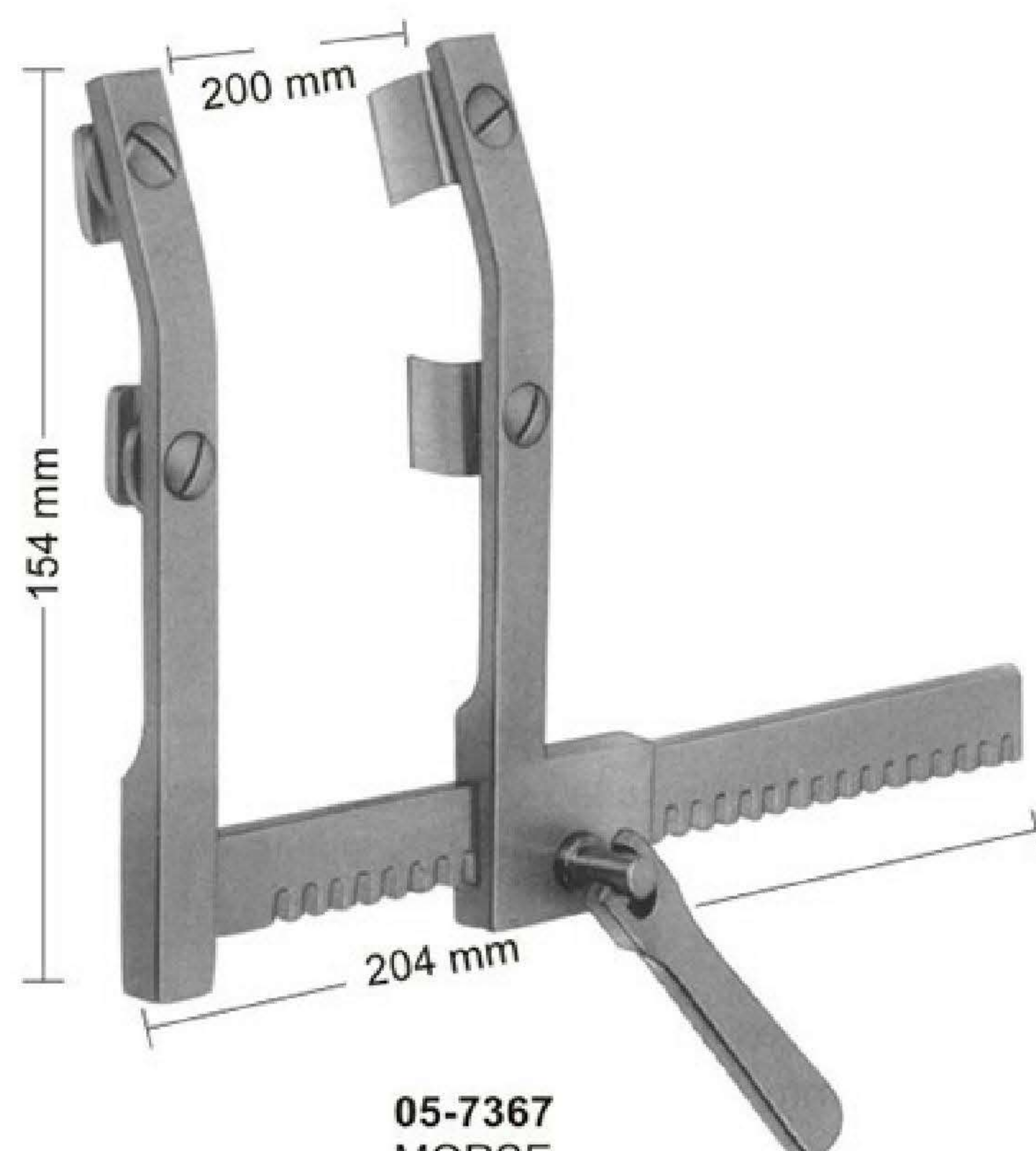


Components for **05-7360**  
 Spreader only      Blades only  
**05-7361**      **05-7362** 50x80mm  
                   **05-7363** 60x60mm  
                   **05-7364** 40x100mm  
 The Blades are delivered in Pairs.

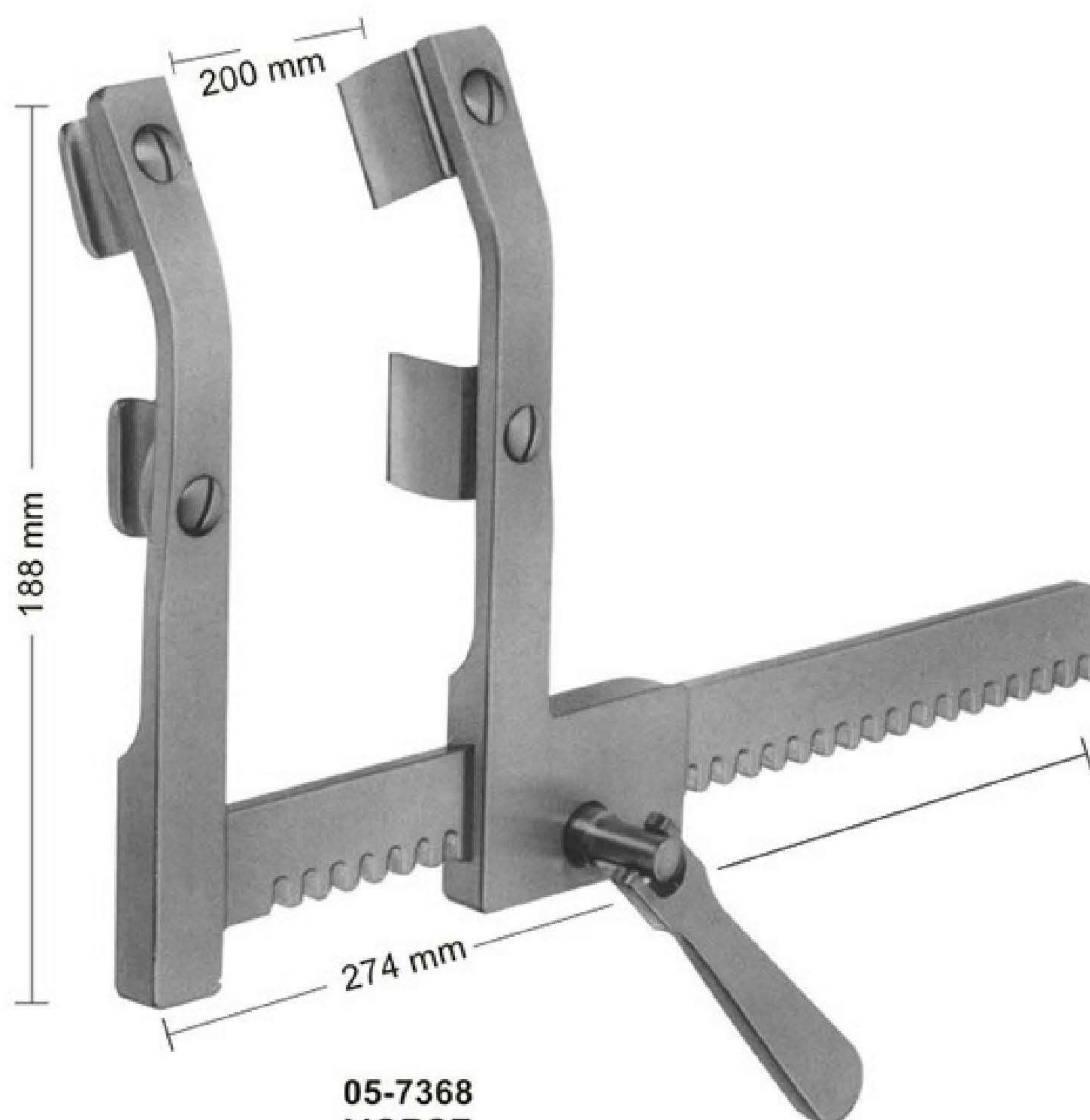




# Sternotomy Spreaders



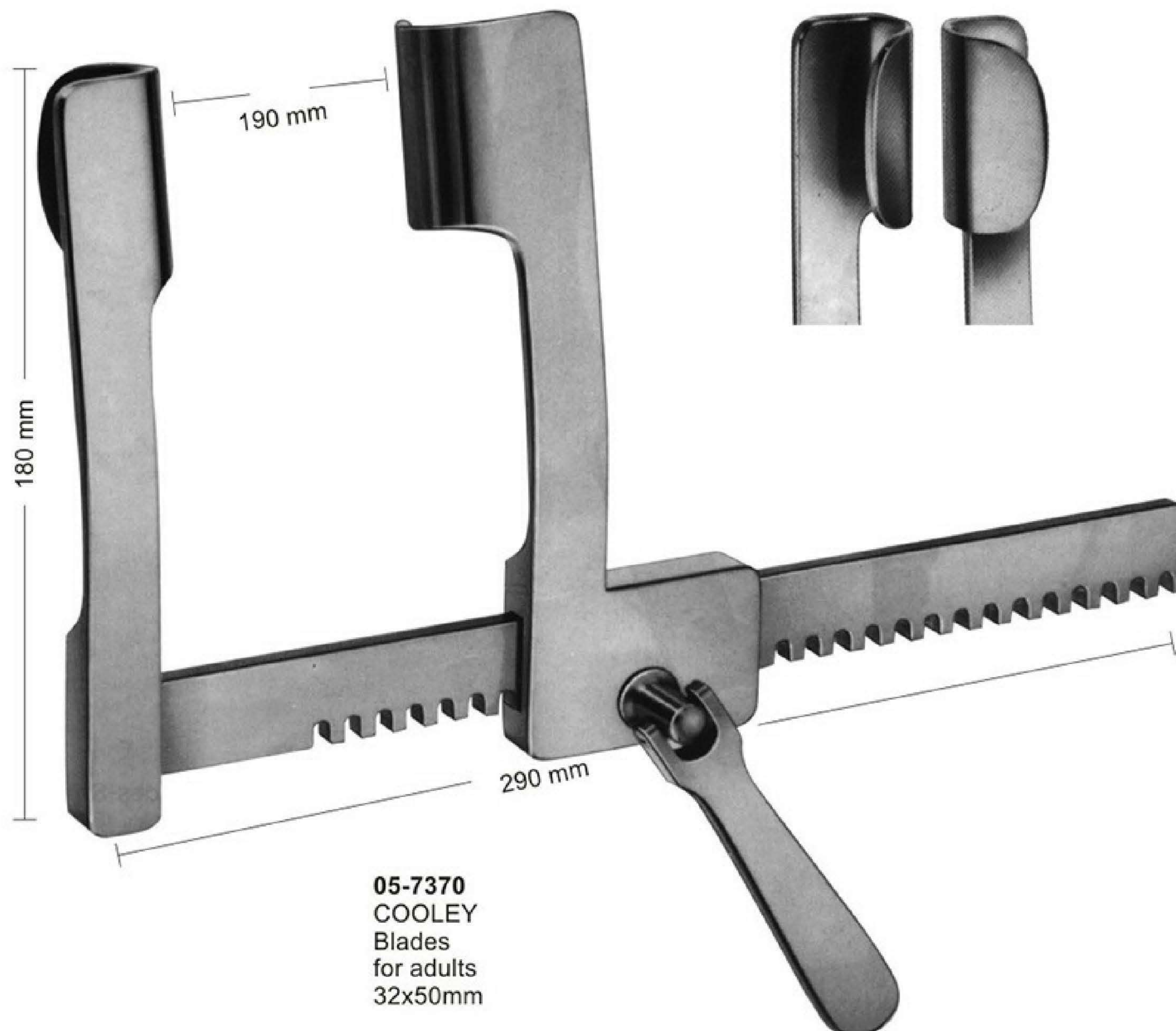
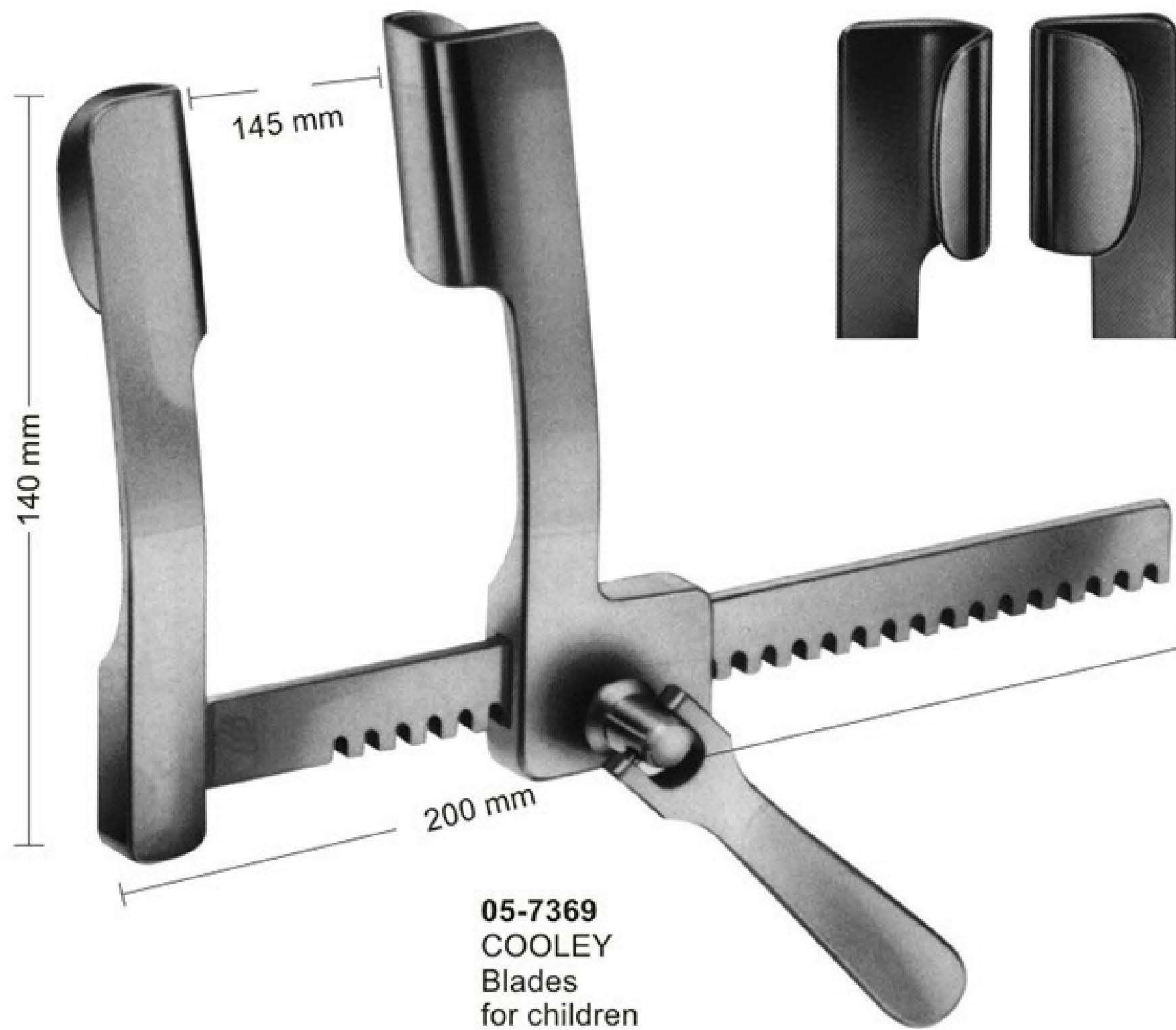
**05-7367**  
MORSE  
Sternotomy spreader  
for children, with moveable  
double, blades each blade  
12x20 mm



**05-7368**  
MORSE  
Sternotomy spreader  
for adults, with moveable  
double, blades each blade  
19x19 mm



# Sternotomy- Spreaders





# Thoracic Retractors



**05-7371**  
 Blades  
 75x75 mm



**05-7373**  
 Blades  
 42x65 mm

Blades with Ball Snap System  
 Delivery: in Pairs

- 05-7371 - 05-7373**  
 Thoracic Retractor (Mercedes-Retractor)  
 complete consisting of:
- 05-7371** Retractor only
  - 05-7372** 1 Pair of blades 75x75 mm
  - 05-7373** 1 Pair of blades 42x65 mm



# Rib Spreaders-and Contractors



**05-7374**  
**SELLORS**  
Rib spreader-and contractor  
with swivel blades  
200 mm



**05-7375**  
**BAILEY**  
150 mm



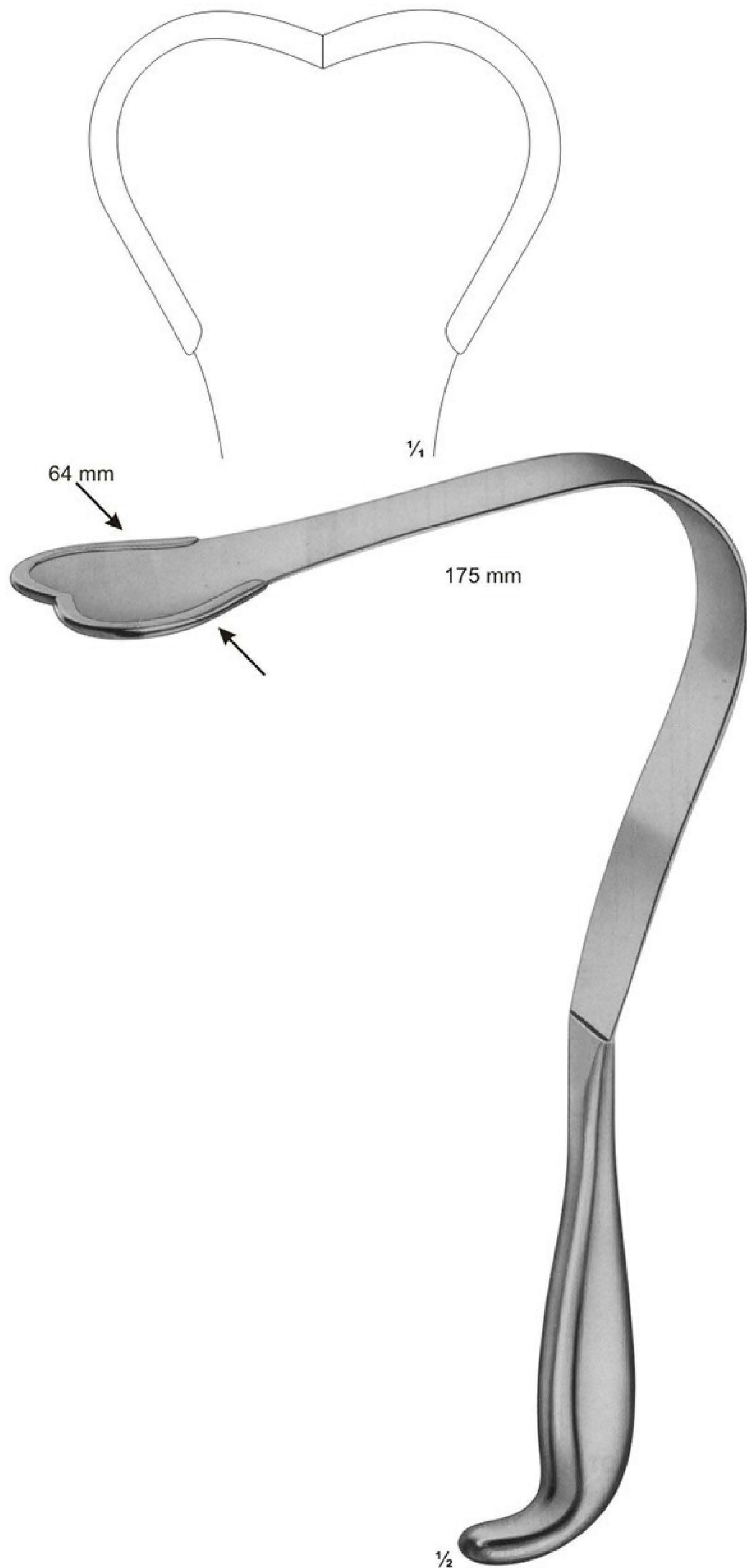
**05-7376**  
for children

**05-7377**  
for adults

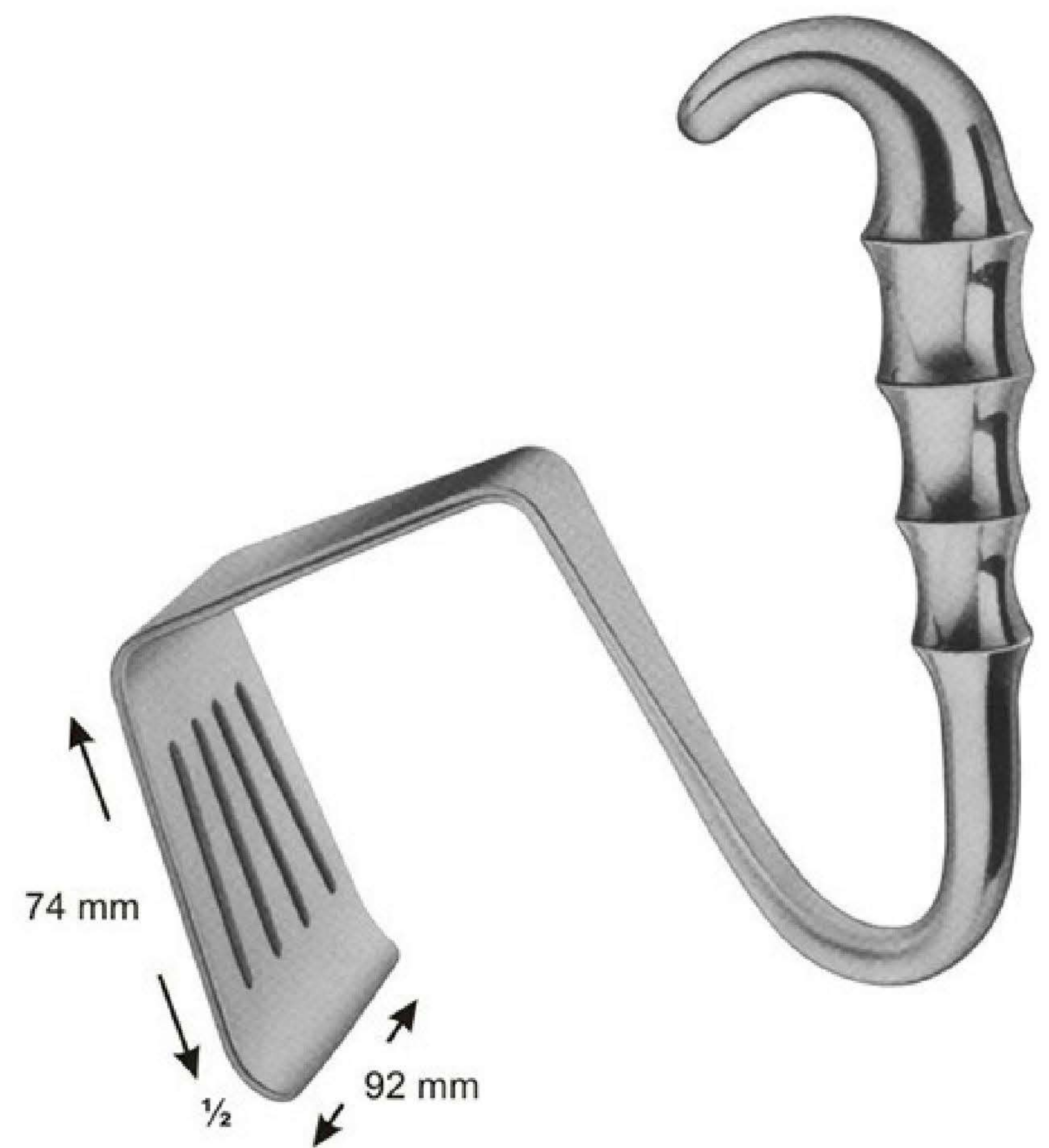
**05-7376 - 05-7377**  
**BAILEY**  
200 mm



# Retractors, Lung Spatulas



**05-7378**  
 HARRINGTON-PEMBERTON  
 flexible  
 295 mm



**05-7379**  
 DAVIDSON  
 Scapula retractor



# Lung Spatulas, Suction Cannulae

